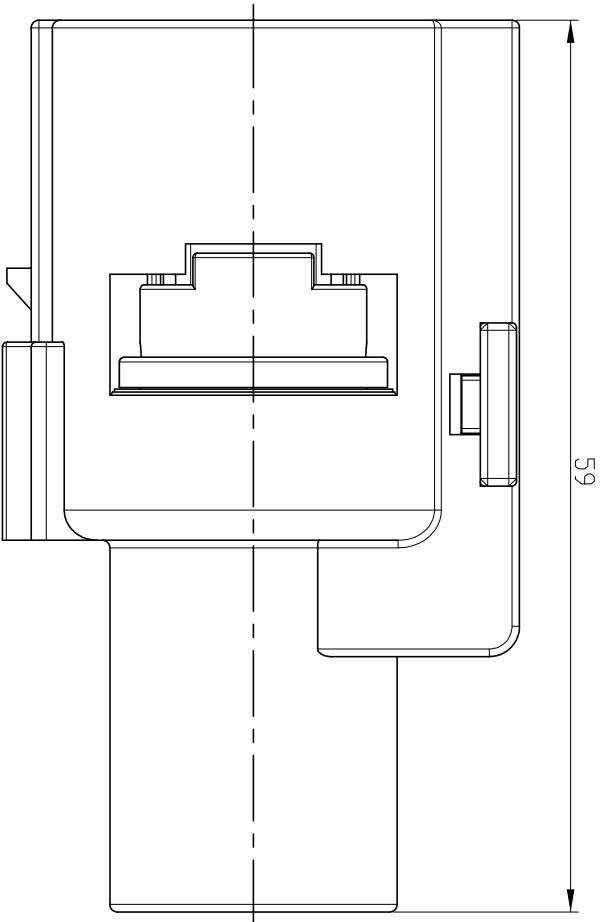
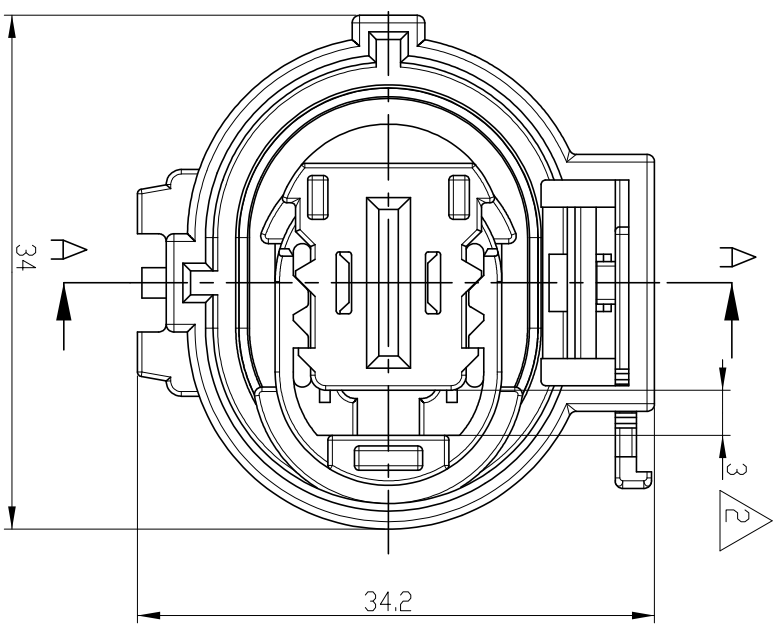
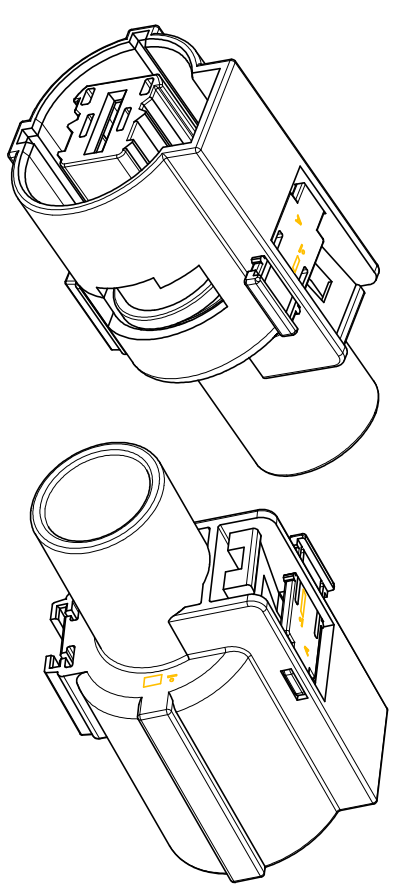
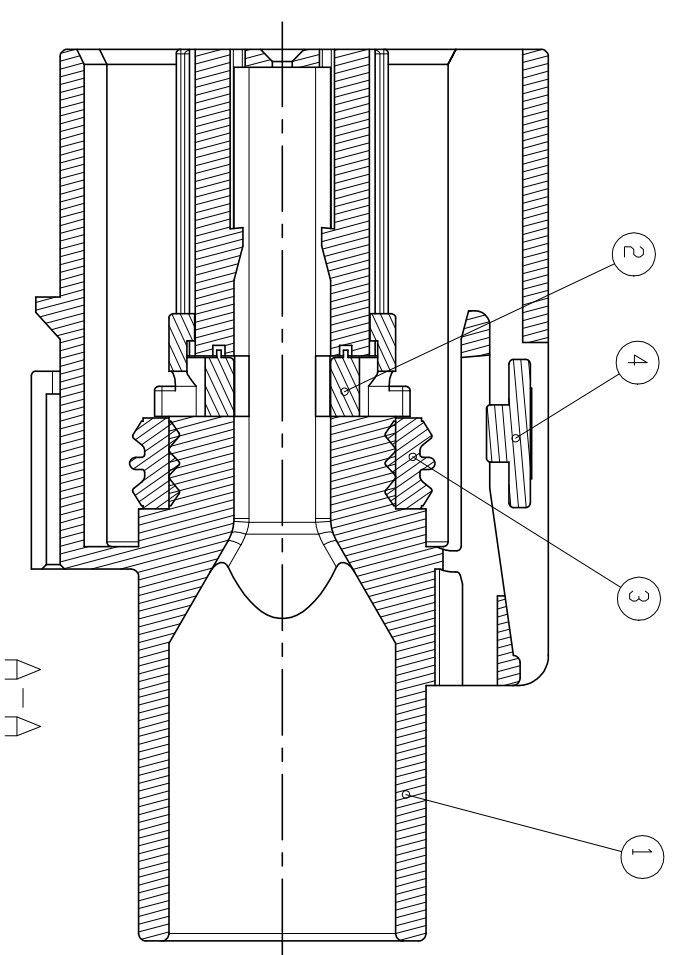
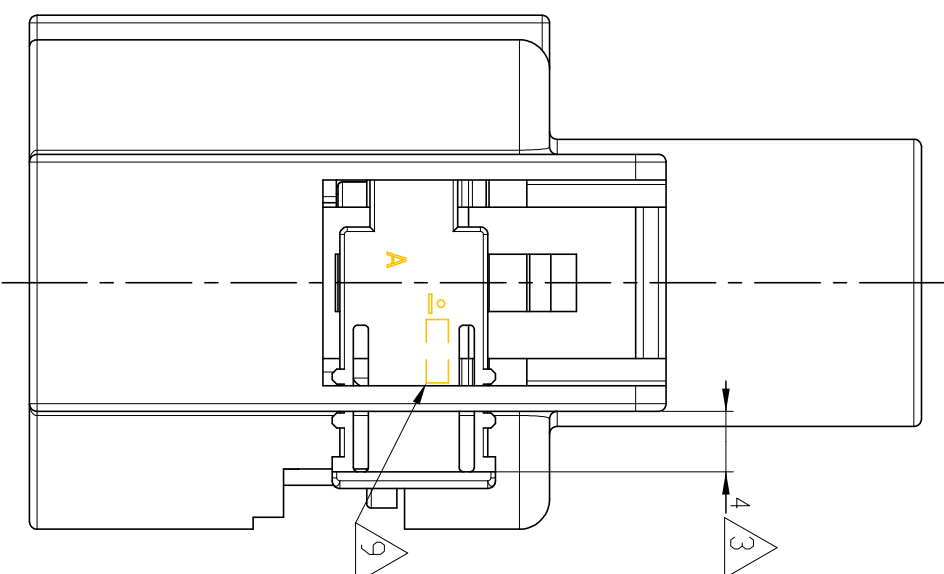


REVISIONS

P	LTR	DESCRIPTION	DATE	DVN	APVD
A2		REVISED (ECR-11-022547)	08NOV/11	JH	HG
A3		REVISED (ECR-16-003517)	10MAR/16	J.Y.	HG
A4		REVISED (ECR-17-016451)	08NOV/17	YH	YJ
A5		REVISED (ECR-20-001845)	07FEB/20	JH	YJ



- NOTES
1. GENERAL TOLERANCE :  $\pm 0.5$ ,  $\pm 3^\circ$
  2. CONDITION OF DELIVERY : DBL PLATE IN OPEN POSITION.
  3. CONDITION OF DELIVERY : CPA HSG IN OPEN POSITION.
  4. APPLICABLE CONTACT P/N : 967590
  5. APPLICABLE SINGLE WIRE SEAL P/N : 1355437-2(COLDR : BLUE)  
INSULATION DIAMETER : 5.8~6.6mm
  6. APPLICABLE PLUG ASS'Y P/N : 1743797
  7. APPLICABLE CLIP HSG P/N : 1743546
  8. INSERTION FORCE BETWEEN CONTACT AND HSG : MAX 7.5Kgf

ND	FINISH/ COLDR	MATERIAL	DESCRIPTION	Q'TY	ASS'Y P/N
4	(A) RED	PA66-GF15	CPA HSG	-	1-1743793-1
3	DRANGE	SILICONE	INNER SEAL	1	1743793-1
2	NATURAL	PA66-GF15	DBL HSG	1	
1	BLACK	PA66-GF15	PLUG HSG	1	

**STE** TE Connectivity

THIS DRAWING IS A CONTROLLED DOCUMENT.  
 DVN YH MA  
 CHK YD LEE  
 APVD YJ YDIN

PRODUCT SPEC  
 108-61137 (A2)  
 APPLICATION SPEC  
 411-61066 (A4)

NAME  
 MCP 9.5mm 1P PLUG ASS'Y

DIMENSIONS: MM	TOLERANCES UNLESS OTHERWISE SPECIFIED:
0 PLC	$\pm 0.5$
1 PLC	$\pm 0.5$
2 PLC	$\pm 0.5$
3 PLC	$\pm 0.5$
4 PLC	$\pm 0.5$
ANGLES	$\pm 0.5$
FINISH	$\pm$

APPLICABLE SPEC  
 411-61066 (A4)  
 WEIGHT

SIZE  
 A3  
 CAGE CODE  
 00779  
 DRAWING NO  
 1743793

SEE NOTE

CUSTOMER DRAWING

SCALE 2:1 SHEET 1 OF 1 REV AS