

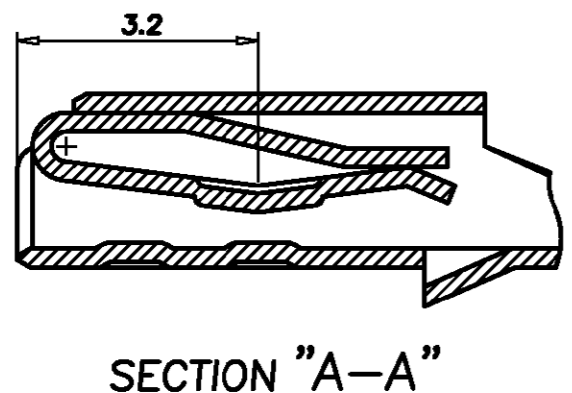
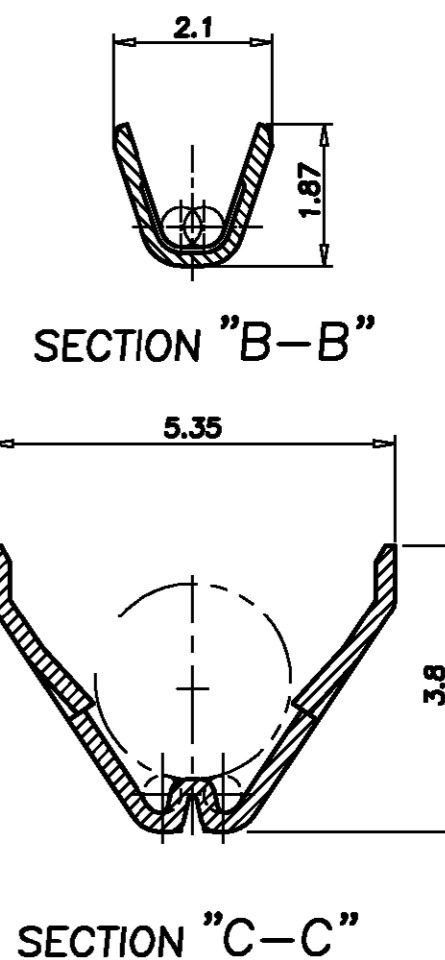
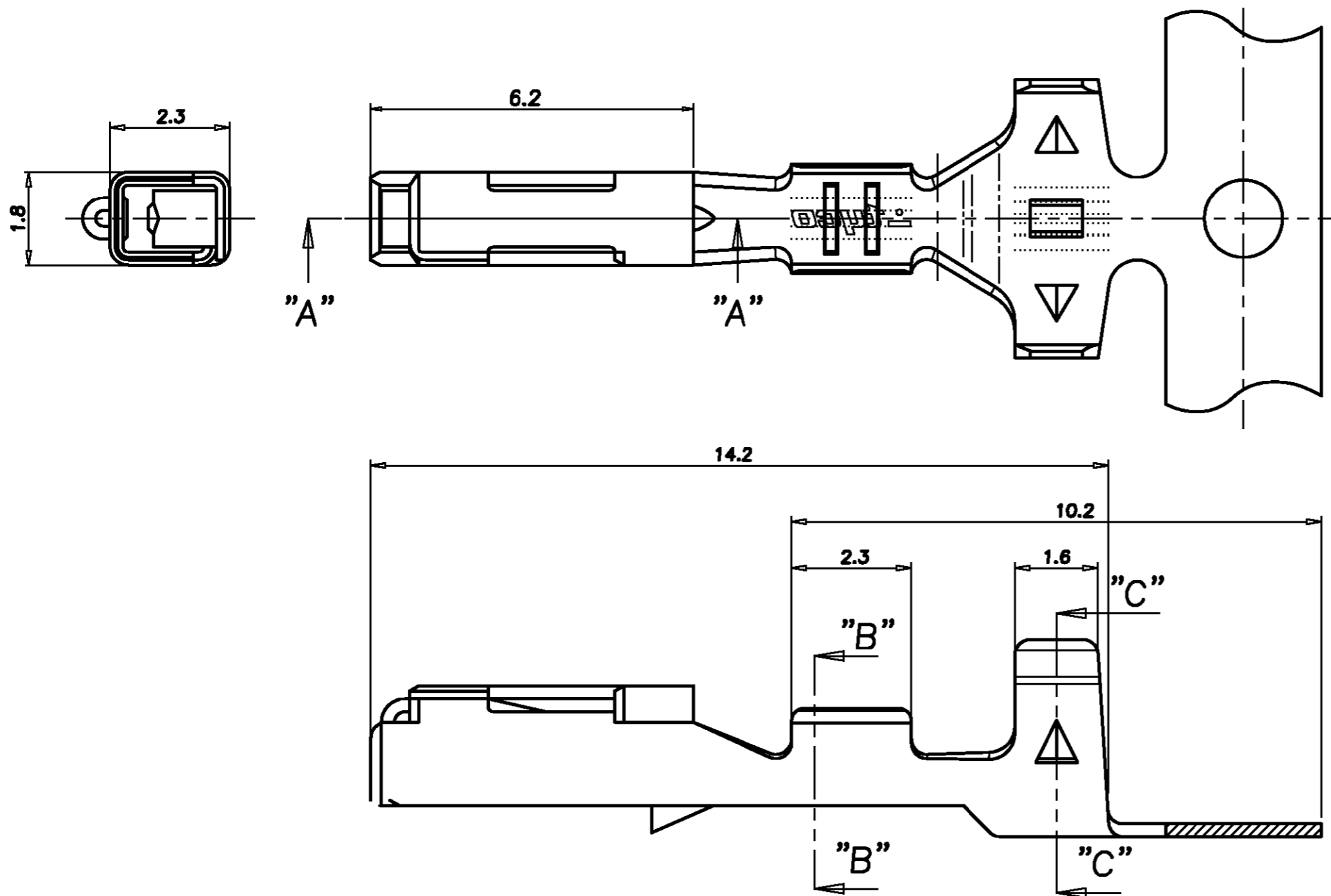
THIS DRAWING IS UNPUBLISHED. RELEASED FOR PUBLICATION

© COPYRIGHT BY TYCO ELECTRONICS CORPORATION. ALL RIGHTS RESERVED.

LOC DS DIST

REVISIONS

P	LTR	DESCRIPTION	DATE	DWN	APVD
A		RELEASED	12APR'06	YH	JK



* NOTES
 1 WIRE SIZE EQUIV AVSS 0.22 SQ mm

<small>THIS DRAWING IS A CONTROLLED DOCUMENT FOR TYCO ELECTRONICS CORPORATION. IT IS SUBJECT TO CHANGE AND THE CONTROLLING ENGINEERING ORGANIZATION SHOULD BE CONTACTED FOR THE LATEST REVISION.</small>		DWN yh.chang CHK ym.choi APVD jk.seong PRODUCT SPEC APPLICATION SPEC WEIGHT				AMP KOREA, kyungsan, korea	
DIMENSIONS: MM 		TOLERANCES UNLESS OTHERWISE SPECIFIED: 0 <XX<10 ± 0.2 10 <XX<30 ± 0.25 30 <XX<100 ± 0.3 ANGLES ± 3°		NAME .040 MK-I MLC RECEPTACLE (SS)		RESTRICTED TO	
MATERIAL CuNiSi Alloy 0.25Thk.		FINISH PRE-TINNED		SIZE A3		CAGE CODE 00779	
CUSTOMER DRAWING				DRAWING NO 1 7 4 3 7 6 5		SCALE 10/1 SHEET 1 OF 1 REV A	