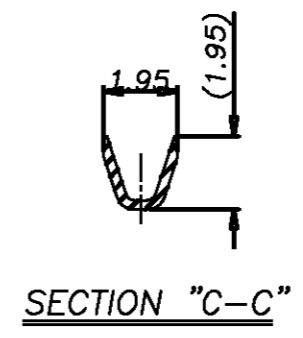
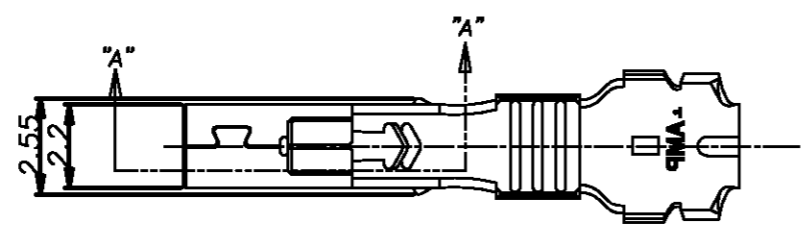


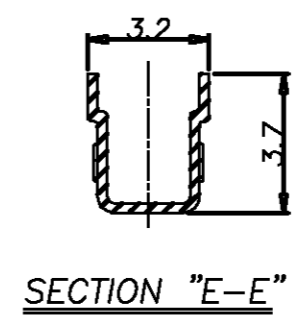
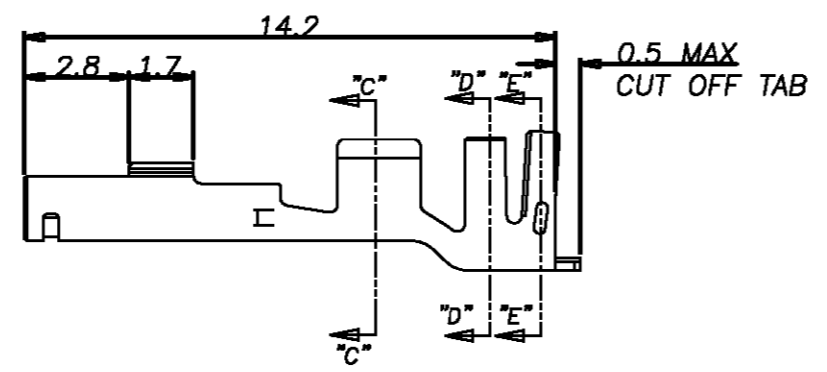
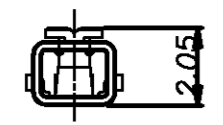
THIS DRAWING IS UNPUBLISHED. RELEASED FOR PUBLICATION

© COPYRIGHT BY TYCO ELECTRONICS CORPORATION. ALL RIGHTS RESERVED.

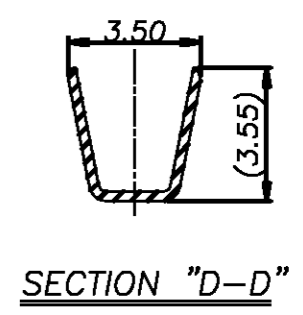
LOC	DIST	REVISIONS					
		P	LTR	DESCRIPTION	DATE	DWN	APVD
DS	-		A	RELEASED	28.MAR.'06	BH	JK



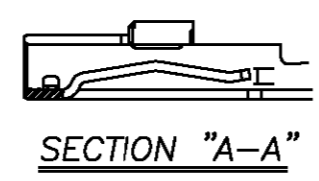
SECTION "C-C"



SECTION "E-E"



SECTION "D-D"



SECTION "A-A"

- NOTES
1. GENERAL TOLERANCE : 0.25
  2. MATERIAL : PRE-TIN COPPER ALLOY
  3. APPLICABLE WIRE :  
WIRE RANGE : 0.14~0.31 mm<sup>2</sup> (AWG26~AWG22)  
INSULATION DIA :  $\phi$ 1.3~2.0 mm

1743728-1  
PART NUMBER

<small>THIS DRAWING IS A CONTROLLED DOCUMENT FOR TYCO ELECTRONICS CORPORATION. IT IS SUBJECT TO CHANGE AND THE CONTROLLING ENGINEERING ORGANIZATION SHOULD BE CONTACTED FOR THE LATEST REVISION.</small>		DWN BH CHO CHK BW KANG APVD JK SONG PRODUCT SPEC 108-61082 APPLICATION SPEC - WEIGHT - CUSTOMER DRAWING				AMP KOREA, kyungsan, korea	
DIMENSIONS: MM 		TOLERANCES UNLESS OTHERWISE SPECIFIED: 0 PLC ± 1 PLC ± 2 PLC ± 3 PLC ± 4 PLC ± ANGLES ±		NAME FG TERMINAL		RESTRICTED TO -	
MATERIAL SEE NOTE		FINISH SEE NOTE		SIZE A3		CAGE CODE 00779	
				DRAWING NO C=1743728		SCALE 5/1	
				SHEET 1 OF 1		REV A	