

4

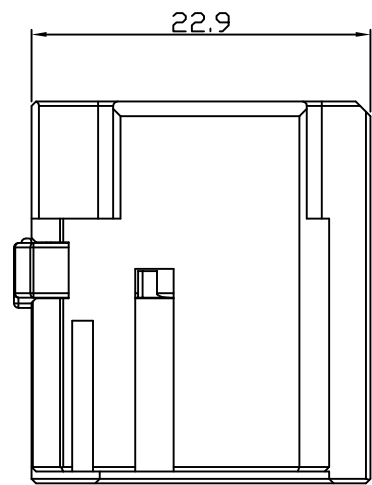
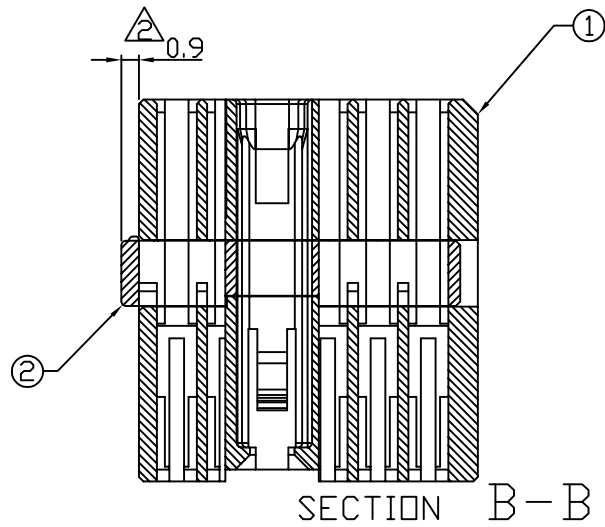
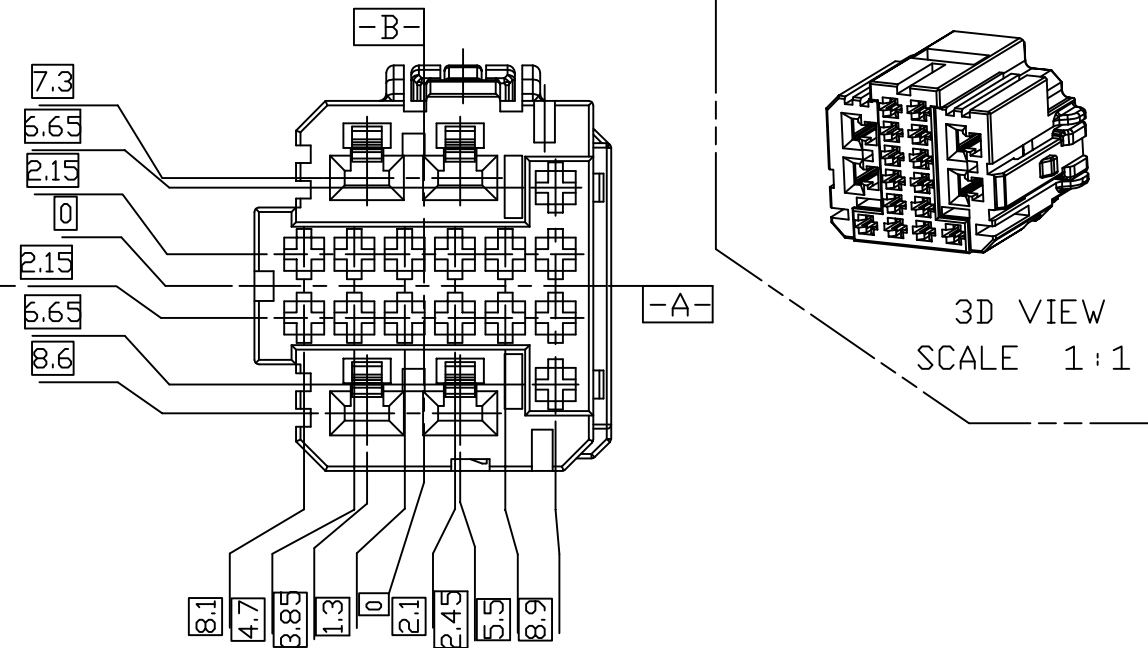
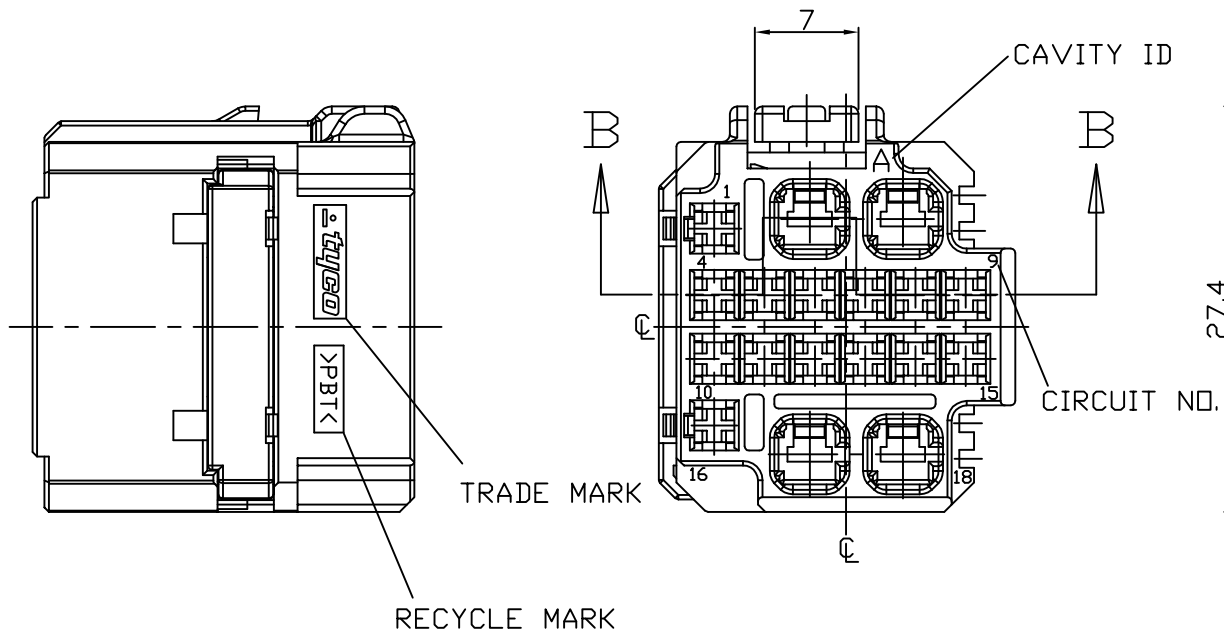
3

2

1

THIS DRAWING IS UNPUBLISHED. RELEASED FOR PUBLICATION
COPYRIGHT BY TYCO ELECTRONICS CORPORATION, ALL RIGHTS RESERVED.

LOC	DIST	REVISIONS					
DS	-	P	LTR	DESCRIPTION	DATE	DWN	APVD
		A1		REVISED (ECR-06-020557)	27.AUG.'06	IS	JK
		B		REVISED (ECR-12-021125)	17.OCT.'12	SJ	JW



SHAPE OF CONVERSION TYPE(TABLE 1.)	
0-1743612-1(NATURAL)	1-1743612-2(BLACK)

<TABLE 2.>

DESCRIPTION	PART No.	WIRE SIZE(mm ²)
MTII 1.5 RECP.	0-964261-2	0.2_0.5mm ²
	0-964263-2	0.5_1.0mm ²
MCP-E 2.8 RECP.	0-1743162-1	0.3_0.85mm ²
	0-1743163-1	1.25_2.0mm ²

NO.	COLOR/FINISH	MATERIAL	DESCRIPTION	P/N	Q'TY	REMARK
2	NATURAL	PBT-GF15	DBL HSG	0-1743613-1	1	1
1	BLACK	PBT	PLUG HSG	1-1743612-2	-	1
	NATURAL	PBT	PLUG HSG	0-1743612-1	1	-

- NOTES
- GENERAL TOLERANCE IS ±0.3
 - CONDITION OF DELIVERY : DBL IN 1 ST LOCKING POSITION
 - APPLIED TAB CONTACT P/N : TABLE 2.
 - APPLICABLE CAP PART No.: X-1743265-X

THIS DRAWING IS A CONTROLLED DOCUMENT FOR TYCO ELECTRONICS CORPORATION IT IS SUBJECT TO CHANGE AND THE CONTROLLING ENGINEERING ORGANIZATION SHOULD BE CONTACTED FOR THE LATEST REVISION.

DWN SJ CHOI
CHK JW JUNG
APVD HG CHO
PRODUCT SPEC -
APPLICATION SPEC -
WEIGHT -
CUSTOMER DRAWING

TE TE Connectivity

NAME: HYB. 2.8/1.5mm 18Pos PLUG ASS'Y

SIZE: A3 CAGE CODE: 00779 DRAWING NO: 1743611 RESTRICTED TO: -

SCALE: 2/1 SHEET: 1 OF 1 REV: B