

4

3

2

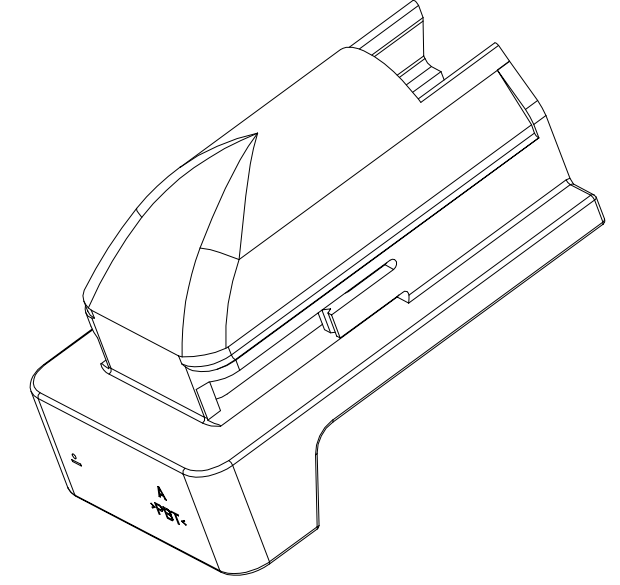
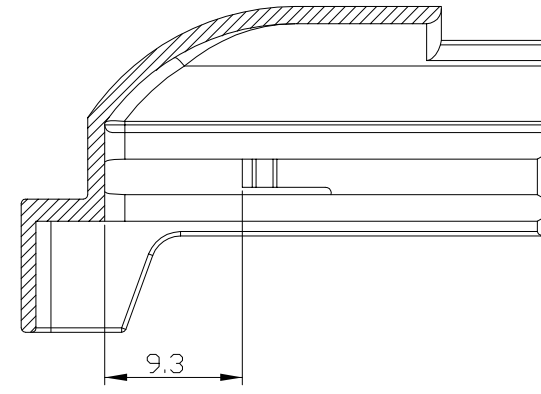
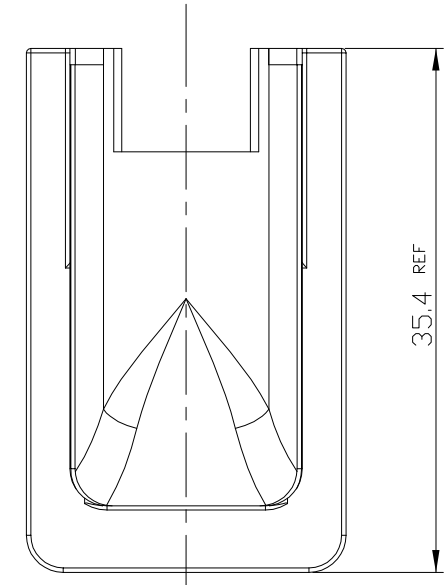
1

THIS DRAWING IS UNPUBLISHED. RELEASED FOR PUBLICATION 20  
 © COPYRIGHT 20 BY TYCO ELECTRONICS CORPORATION. ALL RIGHTS RESERVED.

LOC		DIST		REVISIONS			
P	LTR	DESCRIPTION		DATE	DWN	APVD	
	A	RELEASED		07/JUN'06	IS	JK	
	B	REVISED<ECR-11-001412>		21/JAN'11	JH	HG	

D

D

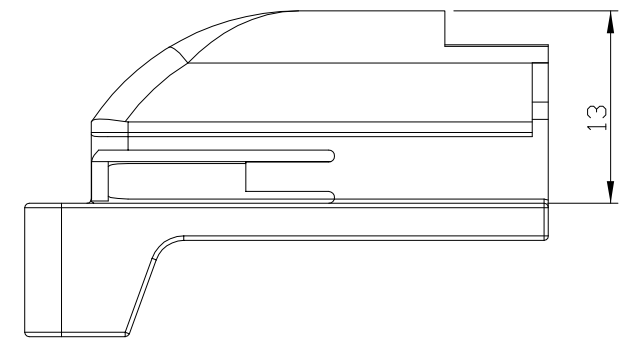
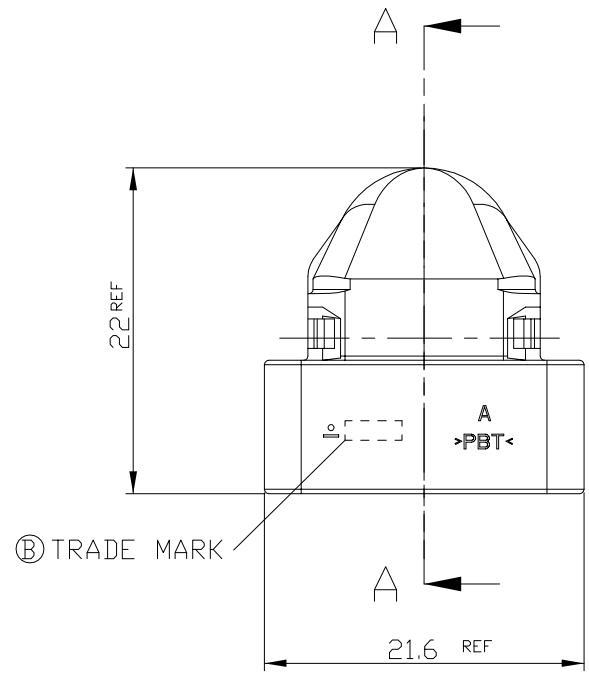


SECTION A-A  
SCALE 2:1

ISO VIEW

C

C



1. GENERAL TOLERANCE: ±0.4, ±4°

B

B

A

A

THIS DRAWING IS A CONTROLLED DOCUMENT FOR TYCO ELECTRONICS CORPORATION  
 IT IS SUBJECT TO CHANGE AND THE CONTROLLING ENGINEERING ORGANIZATION  
 SHOULD BE CONTACTED FOR THE LATEST REVISION.

DIMENSIONS:	TOLERANCES UNLESS OTHERWISE SPECIFIED:
MM	
	0 PLC ±
	1 PLC ±
	2 PLC ±
	3 PLC ±
	4 PLC ±
	ANGLES ±
MATERIAL	FINISH

0-1743569-2	COVER HSG FOR MT3 10P PLUG	PBT	BLACK
P/N	DESCRIPTION	MATERIAL	COLOR

DWN JH CHO			
CHK KT LIM			
APVD HG CHO		NAME	
PRODUCT SPEC		COVER HSG FOR MT3 10P PLUG	
APPLICATION SPEC		SIZE	CAGE CODE
WEIGHT		A3	00779
CUSTOMER DRAWING		DRAWING NO	RESTRICTED TO
		C-1743569	
SCALE 2:1		SHEET 1 OF 1	REV B