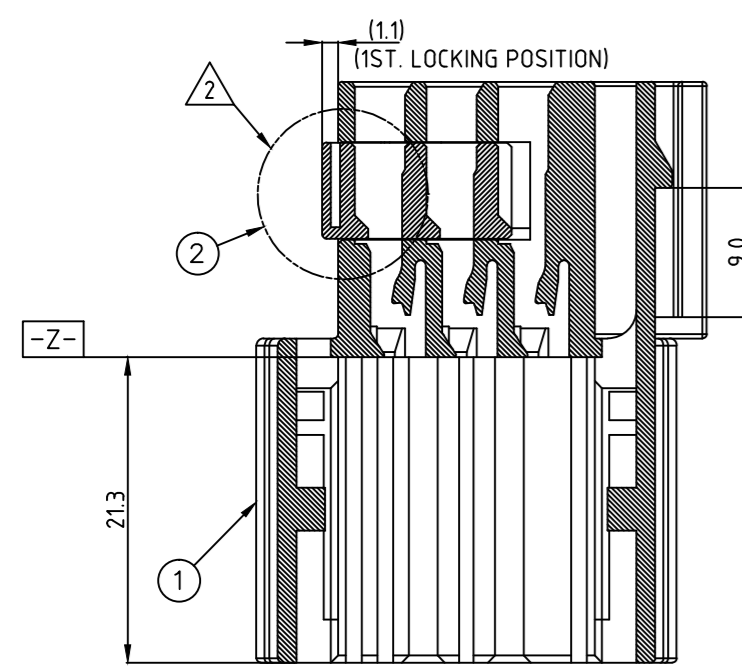
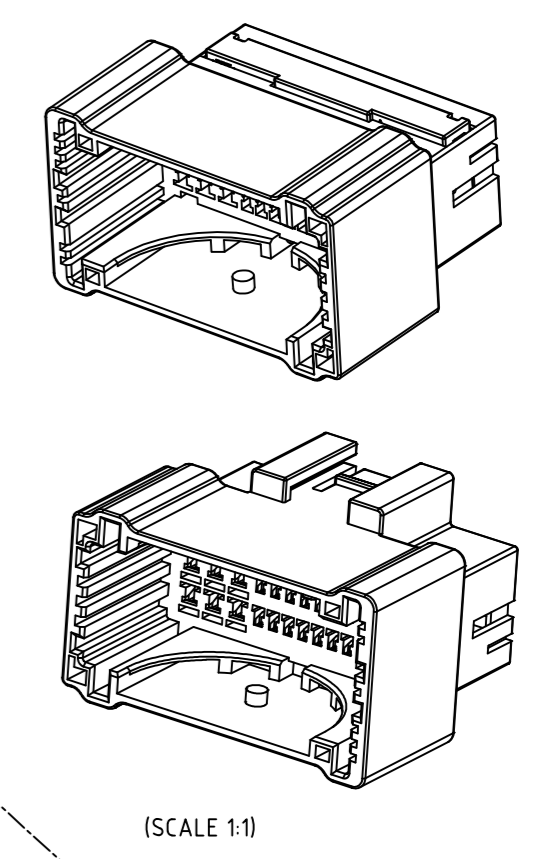
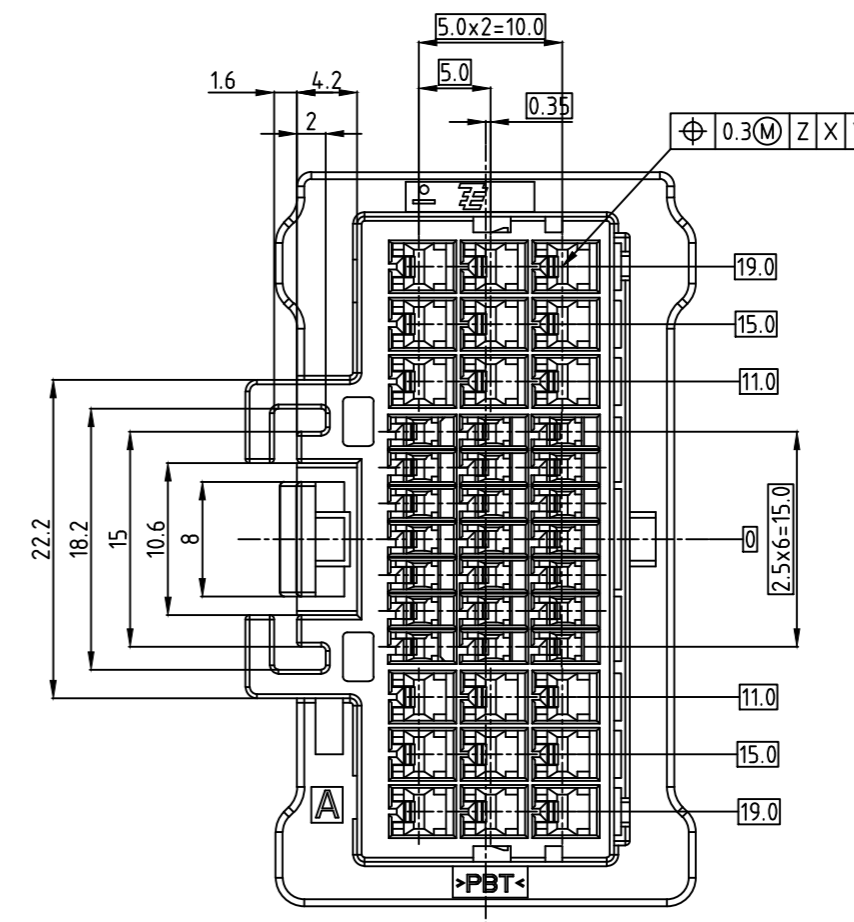
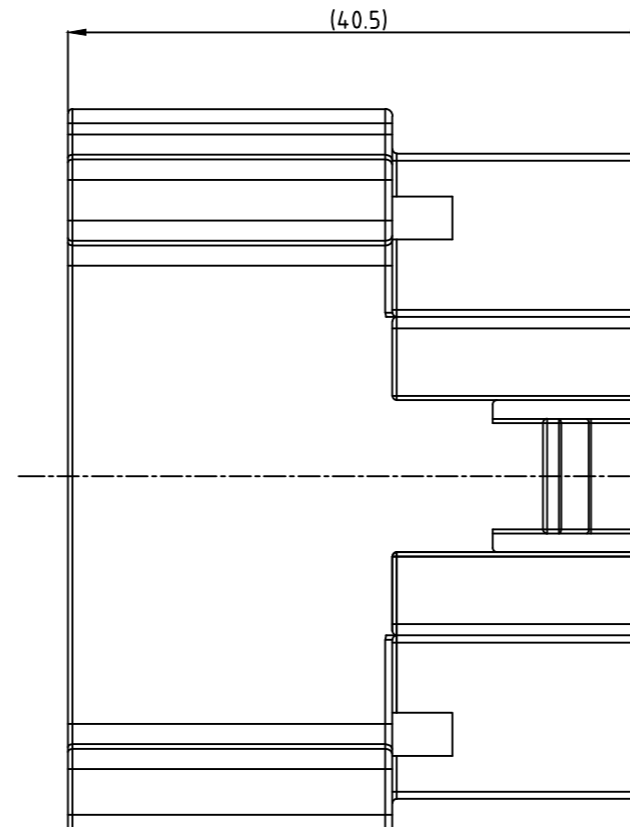
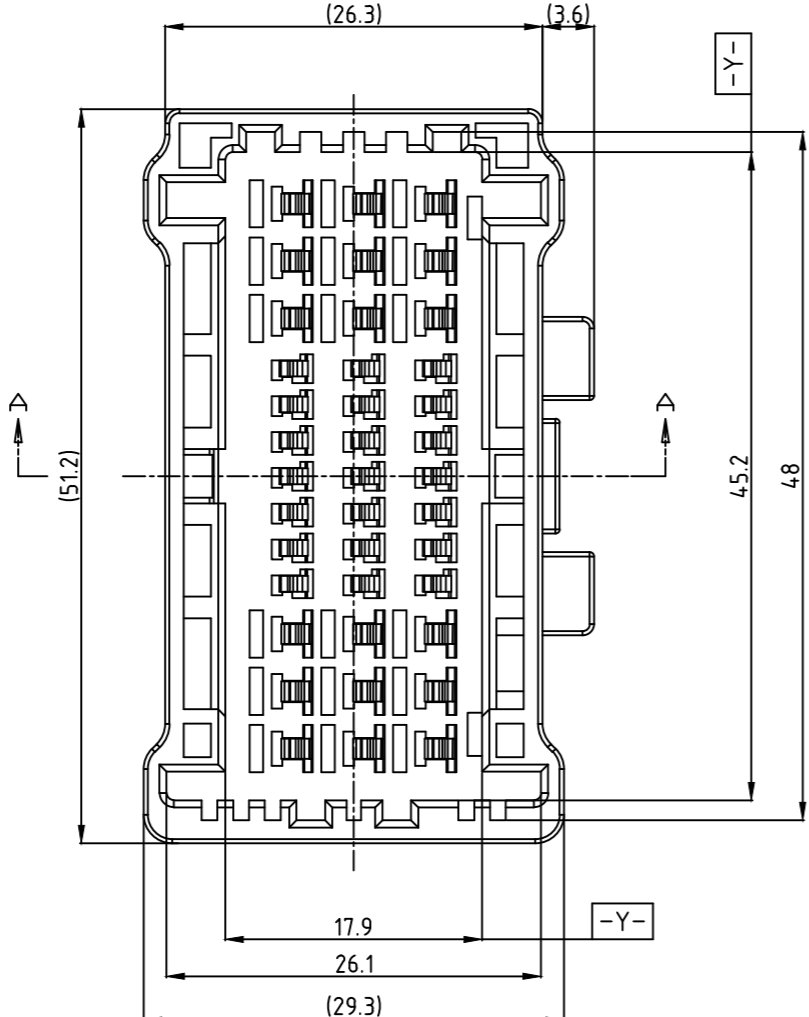
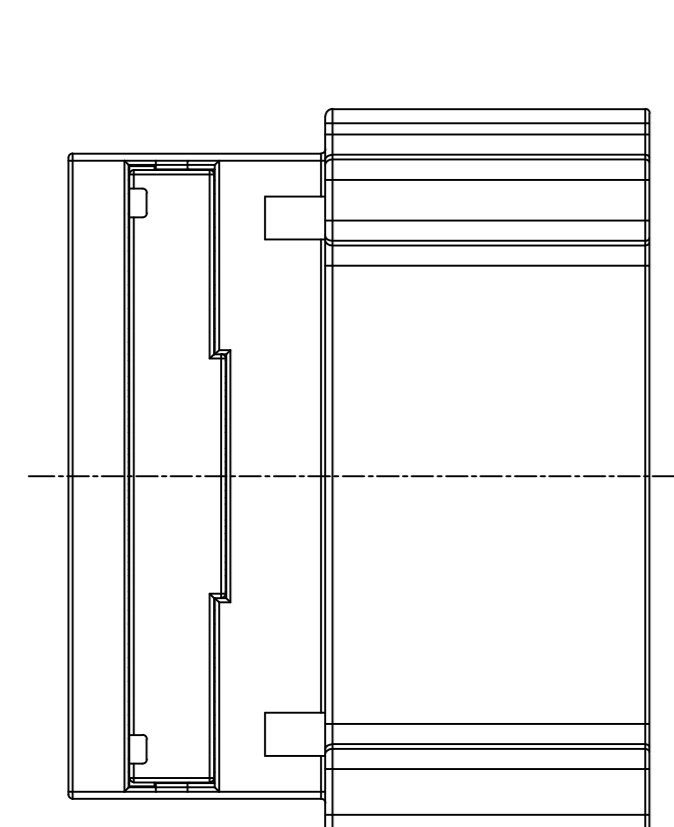


THIS DRAWING IS UNPUBLISHED. RELEASED FOR PUBLICATION  
 COPYRIGHT BY TYCO ELECTRONICS CORPORATION. ALL RIGHTS RESERVED.

P	LTR	DESCRIPTION	DATE	DWN	APVD
A		RELEASED	11/NOV/10	SJ	HG
B		REVISED (ECR-11-025916)	11/DEC/11	SJ	HG



SECTION A-A

SHAPE OF CONVERSION TYPE(TABLE 1.)		
0-1743528-1(LHD),-8(RHD)	1-1743528-2(RHD)	2-1743528-3(LHD)

- NOTES:
- GENERAL TOLERANCE IS  $\pm 0.3$
  - CONDITION OF DELIVERY :  
DBL IN 1ST LOCKING POSITION
  - APPLIED PLUG ASS'Y P/N: X-1743531-X (LHD)  
X-1743652-X (RHD)
  - APPLIED TAB CONTACT P/N : TABLE 1

-TABLE 1-

TYPE	Part NO.	WIRE SIZE(mm <sup>2</sup> )	MATERIAL/FINISH
.040	0-353537-1	0.3 - 0.85	COPPER ALLOY / PRE-TIN
	0-368088-1	0.3 - 0.5	COPPER ALLOY / 0--PRE-TIN / 1--GOLD
1-368088-1	0.3 - 0.5		
.090	0-368087-1	0.85 - 1.25	
	1-368087-1	0.85 - 1.25	
	0-368086-1	2.0	
	1-368086-1	2.0	

THIS DRAWING IS A CONTROLLED DOCUMENT FOR TYCO ELECTRONICS CORPORATION. IT IS SUBJECT TO CHANGE AND THE CONTROLLING ENGINEERING ORGANIZATION SHOULD BE CONTACTED FOR THE LATEST REVISION.

DIMENSIONS: mm	TOLERANCES UNLESS OTHERWISE SPECIFIED: 0-XX+10 $\pm 0.2$ 10-XX-30 $\pm 0.25$ 30-XX $\pm 0.3$ ANGLES $\pm 3^\circ$
3rd ANGLE PROJECTION	
MATERIAL SEE TABLE	FINISH

NO.	P/N	DESCRIPTION	MATERIAL	COLOR	Q'TY			
②	0-1743530-1	DBL HSG	PBT	NATURAL	1	1	1	1
①	0-1743529-8	CAP HSG	PBT	BLUE	1	-	-	-
①	2-1743529-3	CAP HSG	PBT	GRAY	-	1	-	-
①	1-1743529-2	CAP HSG	PBT	BLACK	-	-	1	-
①	0-1743529-1	CAP HSG	PBT	NATURAL	-	-	-	1

DWN : SJ CHOI	
CHK : JW JUNG	
APVD : HG CHO	
PRODUCT SPEC	
APPLICATION SPEC	<b>040/090 HYBRID 39P CAP ASS'Y FOR LIF CONNECTOR</b>
WEIGHT	SIZE A2 CAGE CODE 00779 DRAWING NO 1743528 RESTRICTED TO
	SCALE 2/1 SHEET 1 OF 1 REV B