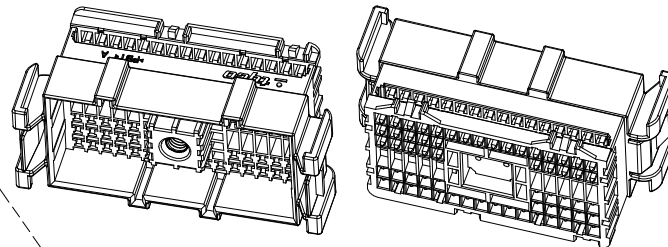
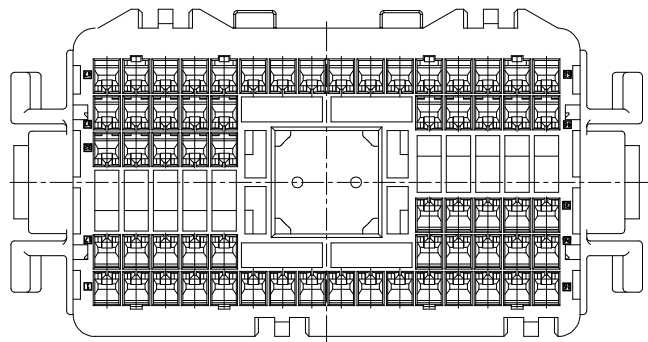
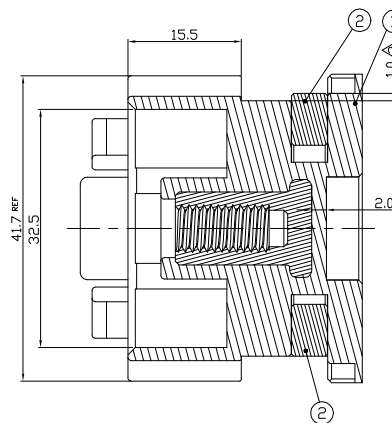
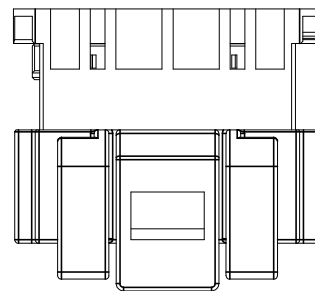
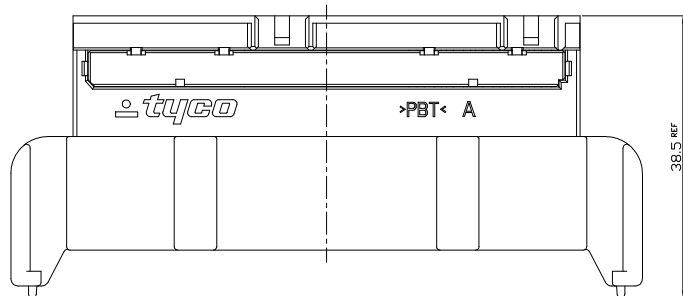


THIS DRAWING IS UNPUBLISHED. RELEASED FOR PUBLICATION
 © COPYRIGHT BY TYCO ELECTRONICS CORPORATION. ALL RIGHTS RESERVED.

LDC	DIST	REVISIONS					
		P	LTR	DESCRIPTION	DATE	DWN	APVD
		D		REVISED<ECR-06-024339>	22/MAR/10	YM	HG
		D1		REVISED<ECR-19-018358>	25/NOV/19	CH	YJ

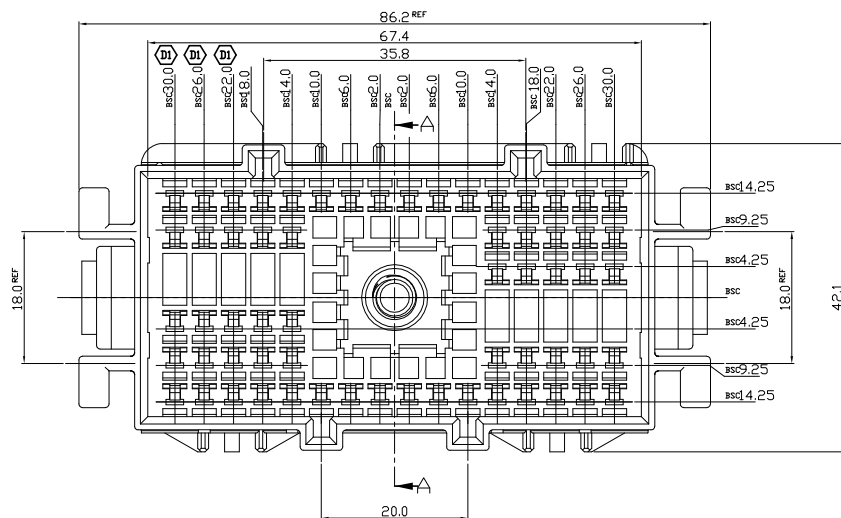


SCALE 1:1



SECT A-A

- NOTE.
1. GENERAL TOLERANCE IS $\pm 0.3, \pm 3^\circ$
 2. CONDITION OF DELIVERY : DBL PLATE IN OPEN POSITION.
 3. APPLIED RECEPTACLE CONTACT P/N: 090 III TAB, - 368086,368087,368088
 4. APPLICABLE COVER PART No: 0-1743345-2



THE DRAWING IS A CONTROLLED DOCUMENT FOR TYCO ELECTRONICS CORPORATION. IT IS SUBJECT TO CHANGE AND THE USER SHALL BE CONTACTED FOR THE LATEST REVISION.

DIMENSIONS: mm	TOLERANCES UNLESS OTHERWISE SPECIFIED	DWN YNLEE	2 NATURAL PBT DBL HSG FOR 090III 62P	2
3-d ANGLE PROJECTION	SEE NOTE.	CHK JM ANG	1 BLACK PBT CAP HSG FOR 090III 62P	1
MATERIAL	FINISH	APVD #G CHD	NO. COLOR MATERIAL DESCRIPTION	Q'TY
		PRODUCT SPEC		
		APPLICATION SPEC		
		WEIGHT	SIZE CAGE CODE DRAWING NO	RESTRICTED TO
			A2 00779 C= 1743342	
		CUSTOMER DRAWING	SCALE 2/1	SHEET 1 OF 1 REV D1

ASSY P/N 0-1743342-2