

4

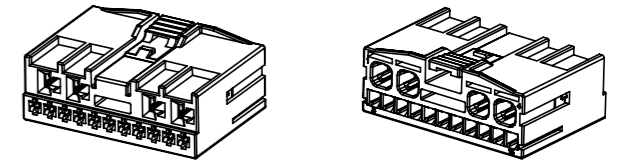
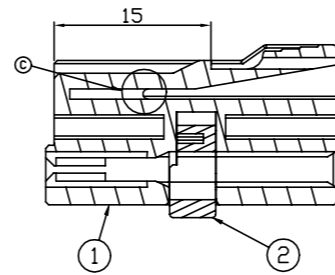
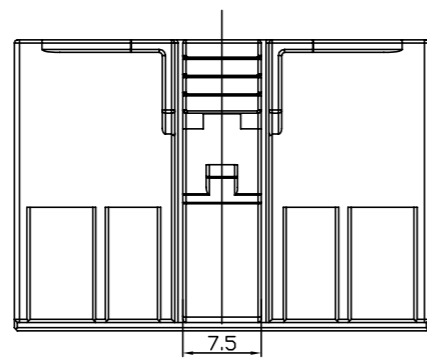
3

2

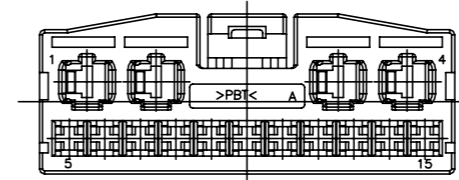
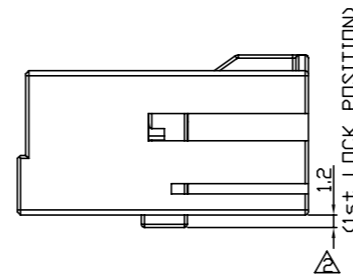
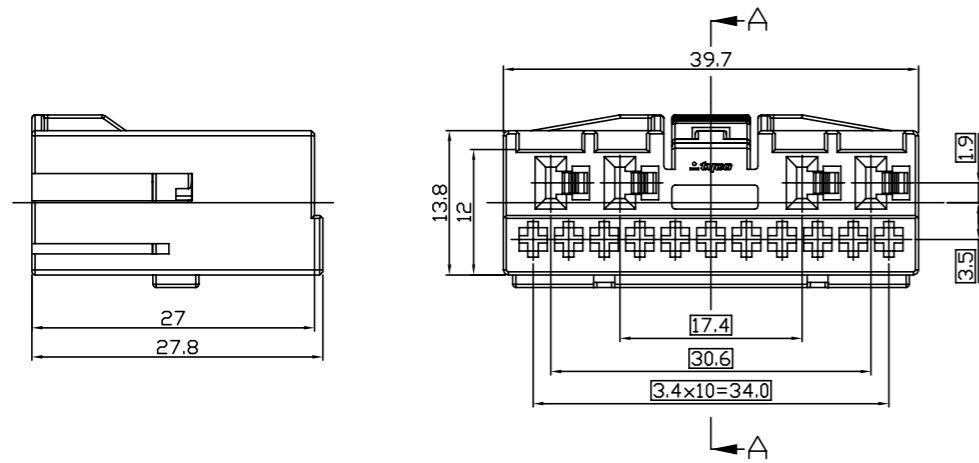
1

THIS DRAWING IS UNPUBLISHED. RELEASED FOR PUBLICATION
 © COPYRIGHT BY TYCO ELECTRONICS CORPORATION, ALL RIGHTS RESERVED.

REVISIONS					
P	LTR	DESCRIPTION	DATE	DWN	APVD
B1		REVISED (ECR-15-001332)	27.JAN/15	JM	HG
C		REVISED (ECR-15-014757)	20.OCT/15	JM	HG
D		REVISED (ECR-20-013711)	25.SEP/20	CH	YJ



ISO VIEW
SCALE 1/1

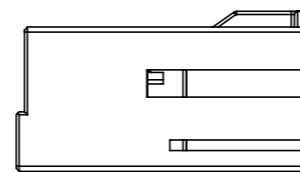
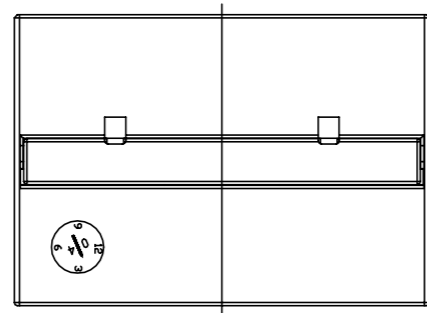


NOTE.

- 1. GENERAL TOLERANCE IS $\pm 0.3, \pm 3^\circ$
- △ CONDITION OF DELIVERY : DBL PLATE IN OPEN POSITION.
- 3. APPLIED RECEPTACLE CONTACT P/N:

	PART No.	WIRE SIZE(mm ²)
MTII 1.5 RECP.	0-964261-2	0.2-0.5mm ²
	0-964263-2	0.5-1.0mm ²
	0-1743162-1	0.3-0.85mm ²
MCP-E 2.8 RECP.	0-1743163-1	1.25-2.5mm ² Ⓜ
	0-1743465-1	3.0mm ² Ⓜ

4. APPLICABLE CAP PART No.: X-1743259-X



2nd LOCK POSITION

QTY	NAME	P/NO	COLOR	MATERIAL	REMARK
2	DBL	0-1743264-1	NATURAL	PBT-GF15	1
1	PLUG	0-1743263-1	NATURAL	PBT	1

THIS DRAWING IS A CONTROLLED DOCUMENT FOR TYCO ELECTRONICS CORPORATION. IT IS SUBJECT TO CHANGE AND THE CONTROLLING ENGINEERING ORGANIZATION SHOULD BE CONTACTED FOR THE LATEST REVISION.

DWN: JM JEON
CHK: JW JUNG
APVD: HG CHD
PRODUCT SPEC: -
APPLICATION SPEC: -
WEIGHT: -
CUSTOMER DRAWING

TE TE Connectivity

NAME: 2.8/1.5mm HYBRID 15P PLUG ASS'Y FOR DOOR CONNECTOR

SIZE: A2 CAGE CODE: 00779 DRAWING NO: 1743262 RESTRICTED TO: -
SCALE: 2/1 SHEET: 1 OF 1 REV: D