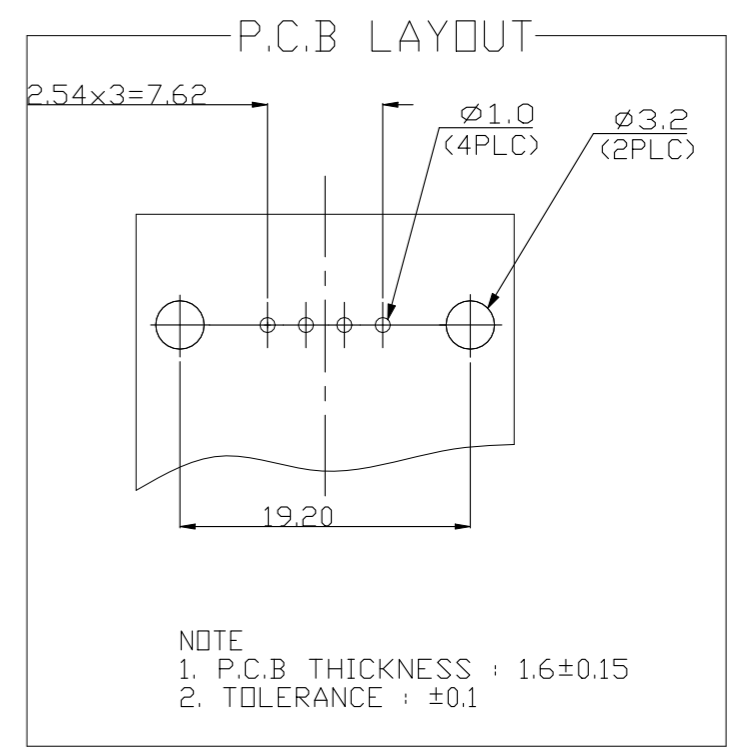
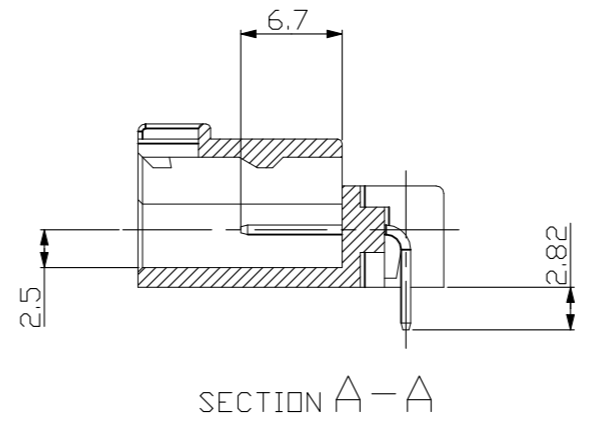
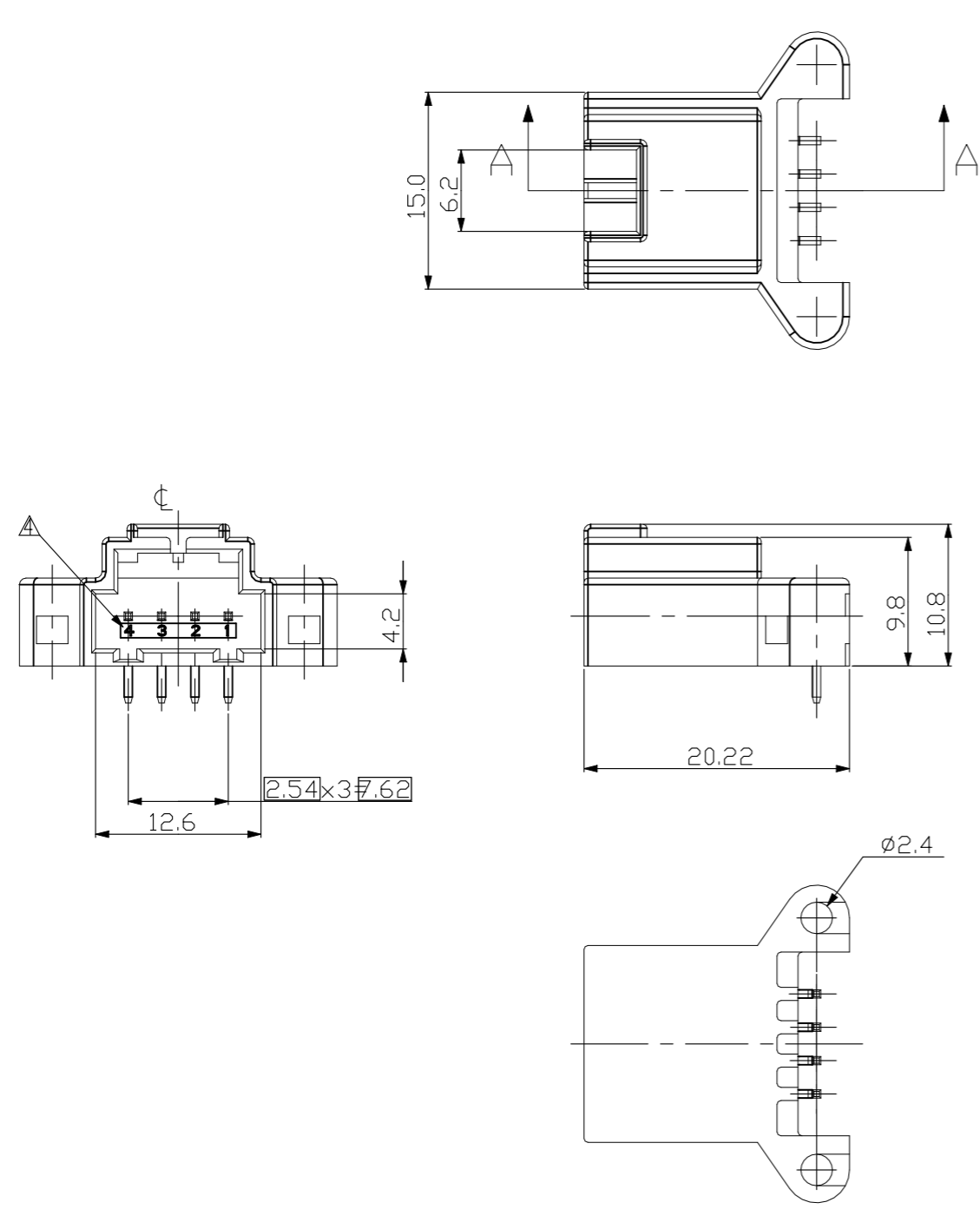
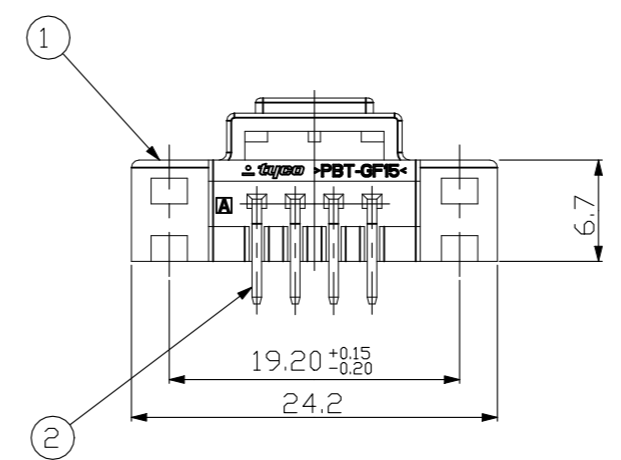


REVISIONS					
P	LTR	DESCRIPTION	DATE	DWN	APVD
B1		REVISED ECR-22-133442	18MAR2022	CI	YJ
B2		REVISED ECR-22-134558	31MAR2022	CI	YJ



NOTE
 1. P.C.B THICKNESS : 1.6±0.15
 2. TOLERANCE : ±0.1



NOTE
 1. BE MATED WITH PLUG HSG(P/N : 936119) SMOOTHLY
 2. GENERAL TOLERANCE : ±0.3, ±3°
 3. PULL-OUT FORCE OF THE CONTACT : Min 25N WHEN V = 25mm/min
 ⓐ △ CIRCUIT NUMBER

ASS'Y P/N	ASS'Y DESCRIPTION	CIRCUIT LAYOUT
1743218-2	MQS 4P CAP ASSY (HORIZONTAL TYPE)	1, 2, 3, 4
1-1743218-3	MQS 3P CAP ASSY (HORIZONTAL TYPE)	1, 2, 4
1743218-5	MQS 4P CAP ASSY (HORIZONTAL TYPE)	1, 2, 3, 4

NO	COLOR/FINISH	MATERIAL	DESCRIPTION	Q'TY
②	POST TIN	PHOSPHOR BRONZE	063 SQUARE CONTACT PIN	4
	ⓑ1 BLACK	PBT-GF15	MQS 4P CAP HOUSING(HORIZONTAL TYPE)	1
①	Ⓐ DARK GRAY	PBT-GF15	MQS 4P CAP HOUSING(HORIZONTAL TYPE)	1
	YELLOW	PBT-GF15	MQS 4P CAP HOUSING(HORIZONTAL TYPE)	1

THIS DRAWING IS A CONTROLLED DOCUMENT.		DWN DR GOO	STE TE Connectivity	
DIMENSIONS: mm		CHK YN CHOI		
TOLERANCES UNLESS OTHERWISE SPECIFIED:		APVD JK SONG	NAME	
0 PLC ± -		PRODUCT SPEC	MQS 4P CAP ASSEMBLY(HORIZONTAL TYPE)	
1 PLC ± -		APPLICATION SPEC	-	
2 PLC ± -		SIZE	CAGE CODE	DRAWING NO
3 PLC ± -		WEIGHT 0	A300779	C-1743218
4 PLC ± -		CUSTOMER DRAWING	SCALE 1:1	SHEET 1 OF 1
ANGLES ± -				REV B2
FINISH				
MATERIAL SEE TABLE				