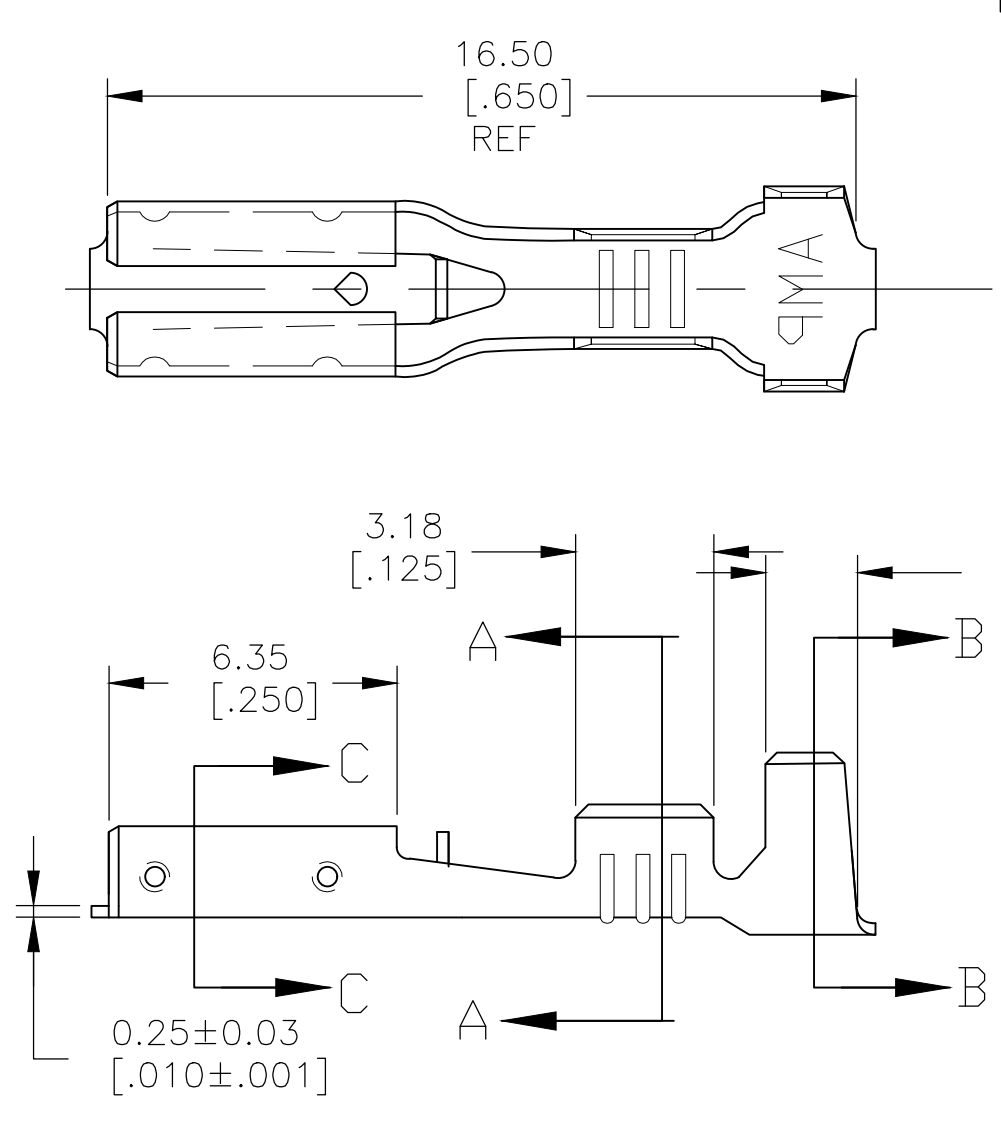
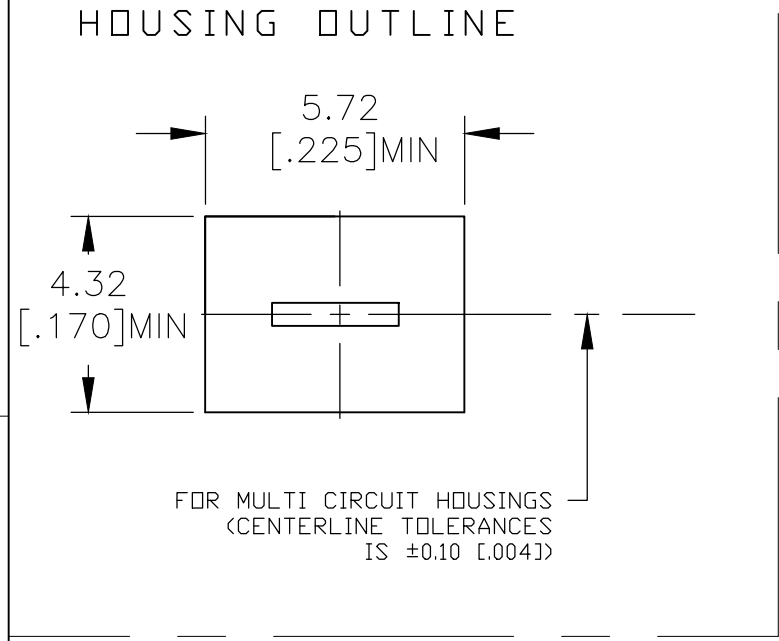
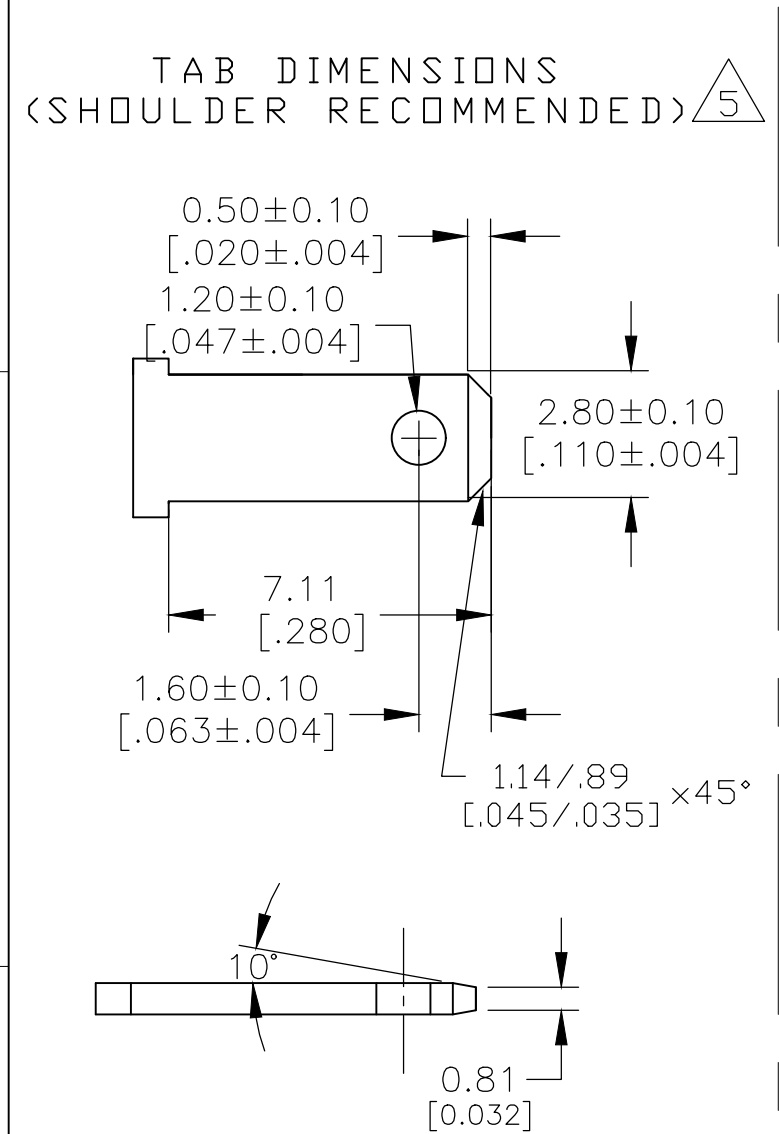
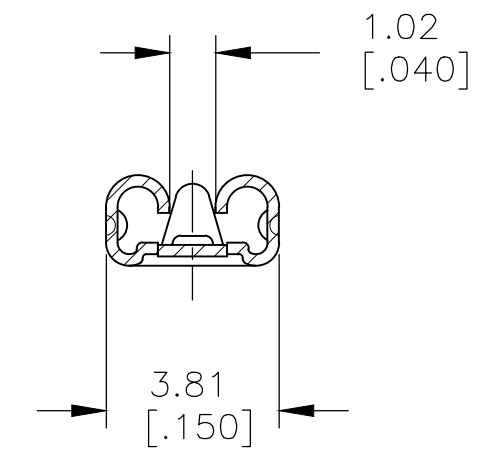
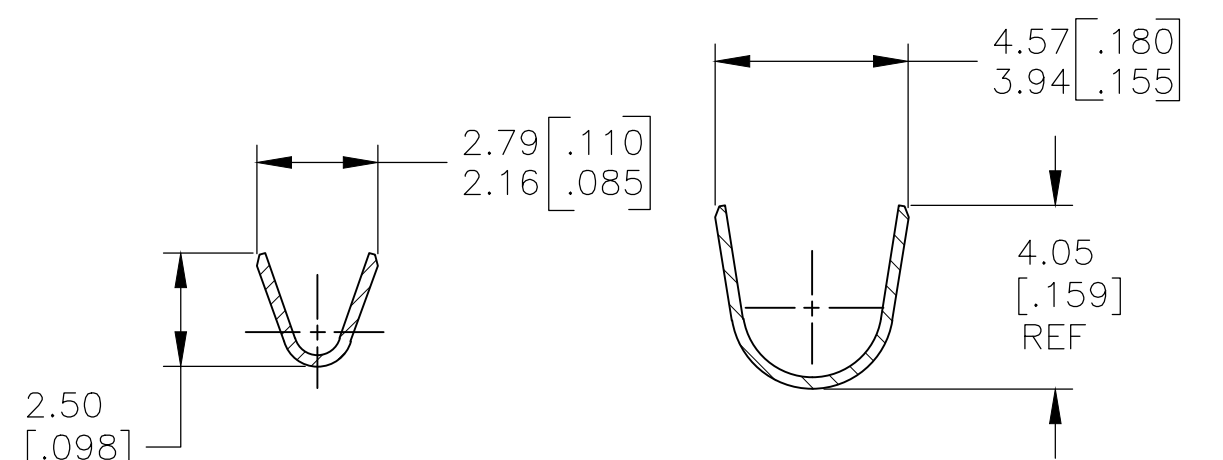


THIS DRAWING IS UNPUBLISHED. RELEASED FOR PUBLICATION  
 © COPYRIGHT - By - ALL RIGHTS RESERVED.

LOC	DIST	REVISIONS					
AF	50	P	LTR	DESCRIPTION	DATE	DWN	APVD
		B2		REV PER ECR-19-018647	13JAN2020	MK	TD



- CONTINUOUS STRIP ON REELS
- WIRE SIZE [#22-#18].
- INSULATION RANGE 2.03-3.05 [.080-.120] DIA
- MATING TAB THK 0.81±0.025 [.032±.001].
- RECOMMEND TO USE WITH TABS WITH SHOULDERS. MAXIMUM LENGTH FOR TABS WITHOUT SHOULDERS TO BE 8.38 [.330].
- REVERSE REEL PACKING



1742975-2
1742975-1
PART NUMBER

THIS DRAWING IS A CONTROLLED DOCUMENT.		DWN jr ruth 17MAY12	TE Connectivity	
DIMENSIONS: MM [ INCHES ]		CHK PETE DESANTIS 17MAY12		
TOLERANCES UNLESS OTHERWISE SPECIFIED:		APVD PETE DESANTIS 17MAY12	NAME	
0 PLC ± -		PRODUCT SPEC	RECEPTACLE, POSI-LOCK, 2.79 [.110] SERIES	
1 PLC ± -		108-106503	-	
2 PLC ± 0.25 [.010]		APPLICATION SPEC	SIZE	CAGE CODE
3 PLC ± -		114-2074	A3	00779
4 PLC ± -		WEIGHT	DRAWING NO	RESTRICTED TO
ANGLES ± -		CUSTOMER DRAWING	C-1742975	-
FINISH		SCALE 6:1 SHEET 1 OF 1 REV B2		
BRASS	TIN PLATE			