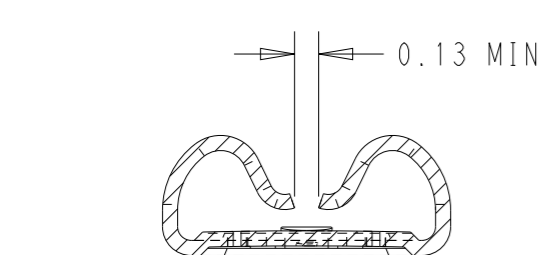
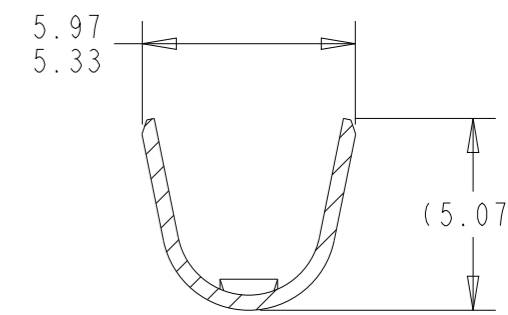
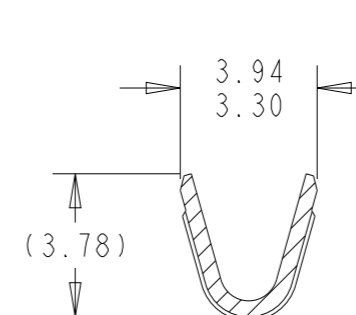
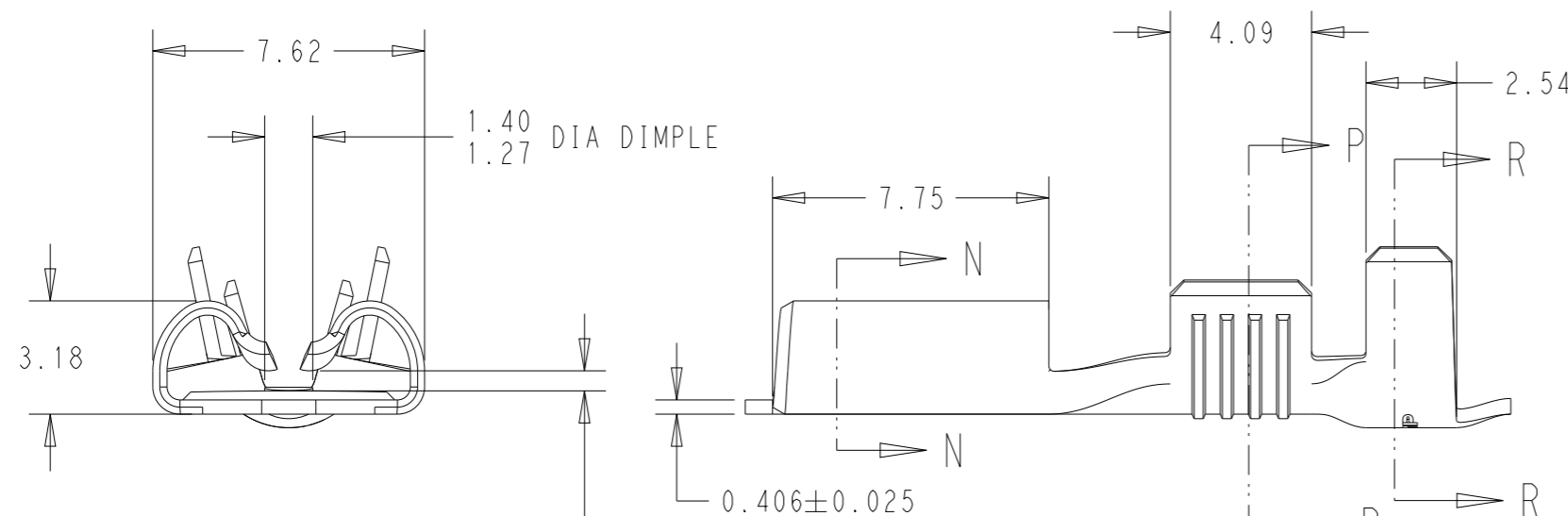
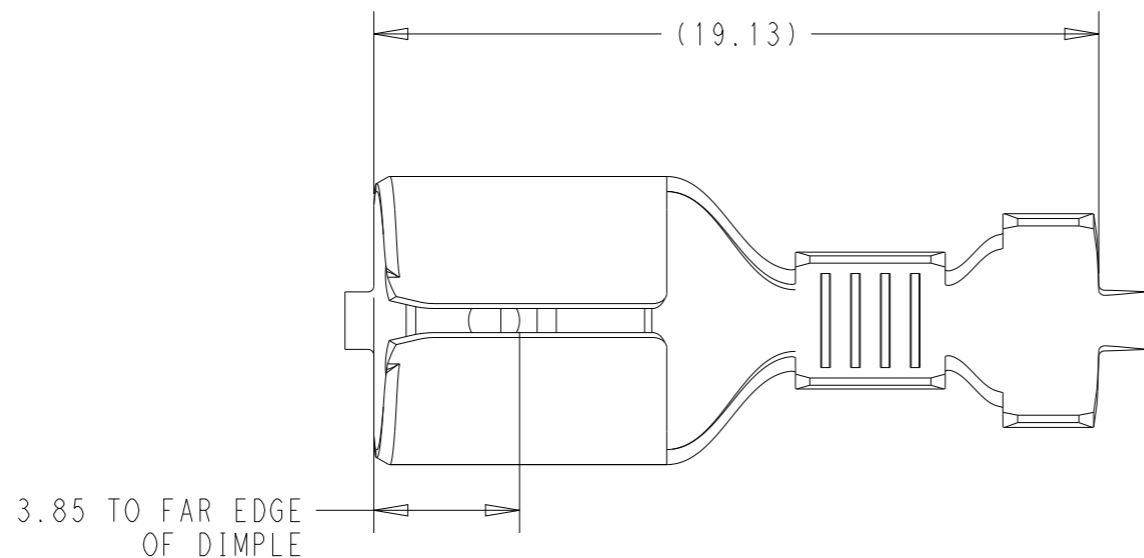


P	LTR	DESCRIPTION	DATE	DWN	APVD
	C8	REVISED PER ECN-23-235723	18OCT2023	BKW	DH

1. CONTINUOUS STRIP ON REELS
2. WIRE SIZE IS #18-#14 AWG
3. INSULATION RANGE IS 3.05-4.32
4. MATING TAB THICKNESS IS 0.76-0.84

5 UL APPROVED FOR #18-#14 AWG

6 PRELIMINARY PART - NOT RELEASED FOR PRODUCTION
PRODUCT HAS NOT COMPLETED QUALIFICATION TESTING



GAP AS REQUIRED TO MEET
FORCE SPECIFICATIONS AND
0.71 MAX

SUPERSEDED BY
2238196-3

NICKEL	STEEL	6 1742198-4
TIN	BRASS	5 1742198-3
NICKEL	STEEL	5 1742198-1
FINISH	MATERIAL	PART NUMBER

THIS DRAWING IS A CONTROLLED DOCUMENT.		DWN B. WEAVER 23SEP2023	TE Connectivity FASTON, 250 STD REC STR F-CR, AWG 18-14					
DIMENSIONS: mm		CHK D. HUMPHREY 23SEP2023				NAME	SIZE	CAGE CODE
TOLERANCES UNLESS OTHERWISE SPECIFIED: 0 PLC ± 1 PLC ± 2 PLC ±0.25 3 PLC ± 4 PLC ± ANGLES ±5°		APVD W. MOYER 23SEP2023				PRODUCT SPEC 108-5178	DRAWING NO	RESTRICTED TO
MATERIAL SEE TABLE		FINISH SEE TABLE				APPLICATION SPEC 114-2036	WEIGHT -	SCALE 5:1
		CUSTOMER DRAWING	WEIGHT	SIZE A3	CAGE CODE 00779			
				DRAWING NO 1742198	SHEET 1 OF 1			
					REV C8			