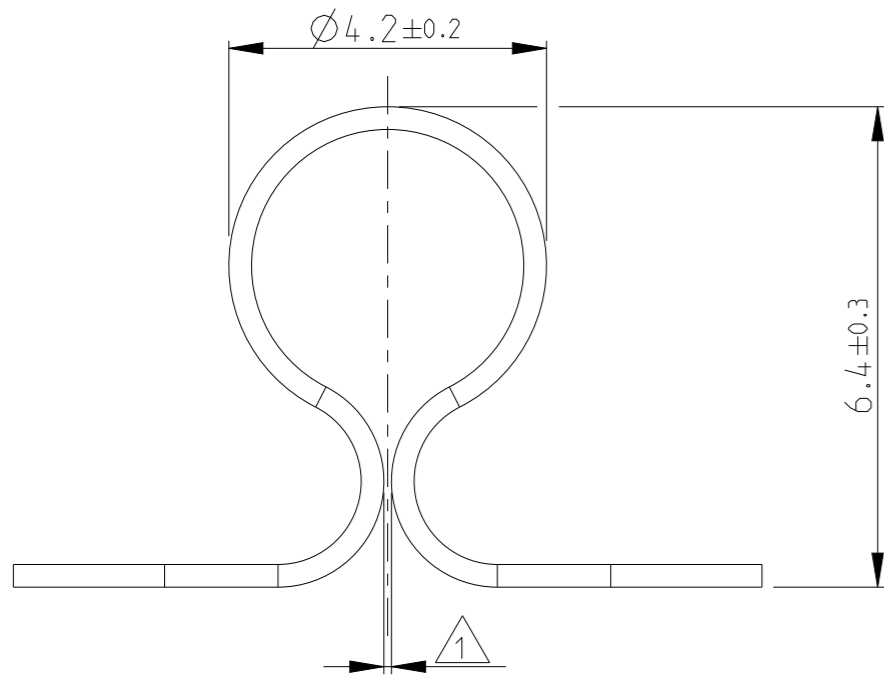
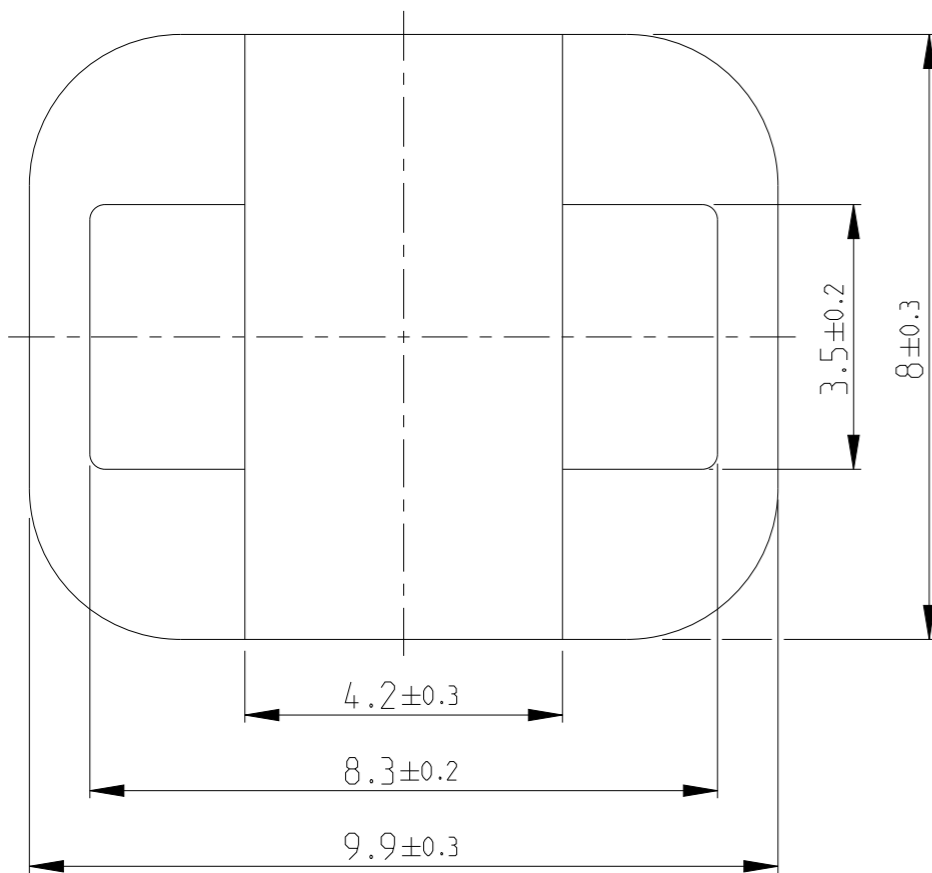


P	LTR	DESCRIPTION	DATE	DWN	APVD
A12		ECR-18-000532	15JAN2018	FF	MS
A13		ECR-17-011826	13FEB2018	FF	MS
A14		ALIGNED DRAWING REVISION	23OCT2019	MZ	MZ
A15		ECR-20-013577	29SEP2020	MHS	MZ



- 1 MAX. PERMITTED GAP SIZE 1.5mm
- 2 PACKAGING: 100 PIECES PACKAGED IN MINIGRIP BAG  
STANDARD PACKAGING QUANTITY: 100 PIECES
- 3 PACKAGING: 150 PIECES PACKAGED IN MINIGRIP BAG  
STANDARD PACKAGING QUANTITY: 150 PIECES
- 4 PACKAGING: 200 PIECES PACKAGED IN MINIGRIP BAG  
STANDARD PACKAGING QUANTITY: 200 PIECES
- 5 PACKAGING: 1000 PIECES PACKAGED IN 5 MINIGRIP BAGS  
STANDARD PACKAGING QUANTITY: 1000 PIECES
- 6 PACKAGING: 2000 PIECES PACKAGED IN 10 MINIGRIP BAGS  
STANDARD PACKAGING QUANTITY: 2000 PIECES
- 7 PACKAGING: PACKAGED IN CORRUGATED SHIPPING BOX
- 8 PACKAGING: 140 PIECES PACKAGED IN MINIGRIP BAG  
STANDARD PACKAGING QUANTITY: 140 PIECES
- 9 PACKAGING: 112 PIECES PACKAGED IN MINIGRIP BAG  
STANDARD PACKAGING QUANTITY: 112 PIECES
- 10 PACKAGING: 84 PIECES PACKAGED IN MINIGRIP BAG  
STANDARD PACKAGING QUANTITY: 84 PIECES
- 11 PACKAGING: 240 PIECES PACKAGED IN MINIGRIP BAG  
STANDARD PACKAGING QUANTITY: 240 PIECES
- 12 PACKAGING: 120 PIECES PACKAGED IN MINIGRIP BAG  
STANDARD PACKAGING QUANTITY: 120 PIECES
- 13 24N MIN. AT 1.5MM MAX. SPRING DEFLECTION.
- 14 PACKAGING: 144 PIECES PACKAGED IN MINIGRIP BAG  
STANDARD PACKAGING QUANTITY: 144 PIECES.

0.05	0.40
VOLUMEN [cm <sup>3</sup> ]	GEWICHT [g]



-2 AS SHOWN

OBSOLETE	14	1-1740873-3
	12	1-1740873-2
	11	1-1740873-1
OBSOLETE	10	1-1740873-0
	9	1740873-9
	8	1740873-8
OBSOLETE	6, 7	1740873-7
	5, 7	1740873-6
	4	1740873-5
OBSOLETE	3	1740873-4
	2	1740873-3
	PACKAGING	PART NO.

THIS DRAWING IS A CONTROLLED DOCUMENT.		DWN	13FEB2018		
		FRANK FAN			
		CHK	13FEB2018		
		ALEX ZHANG			
		APVD	13FEB2018	NAME	
		MING SHI		FOIL CLIP	
		PRODUCT SPEC		-	
		108-94176		-	
		APPLICATION SPEC		-	
				SIZE	CAGE CODE
				A3	00779
				DRAWING NO	RESTRICTED TO
				©=1740873	
		WEIGHT		SCALE	SHEET
				10:1	1 OF 1
		CUSTOMER DRAWING		REV	A15

DIMENSIONS:		TOLERANCES UNLESS OTHERWISE SPECIFIED:	
mm			
	0 PLC	±0.3	
	1 PLC	±0.3	
	2 PLC	±	
	3 PLC	±	
	4 PLC	±	
MATERIAL		FINISH	
X12 CrNi		blank	