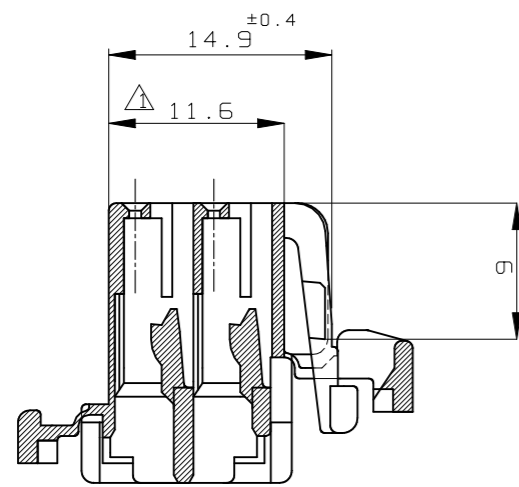
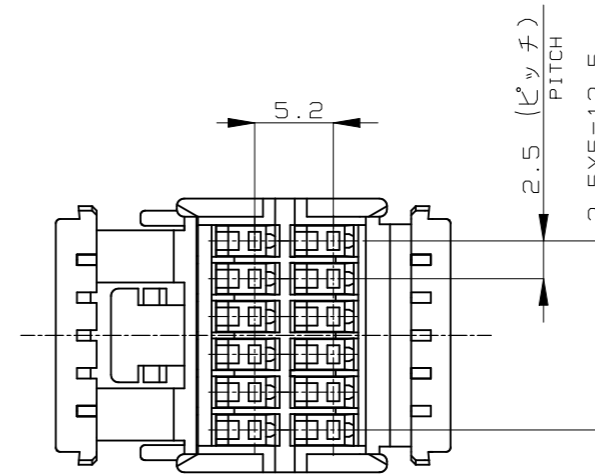
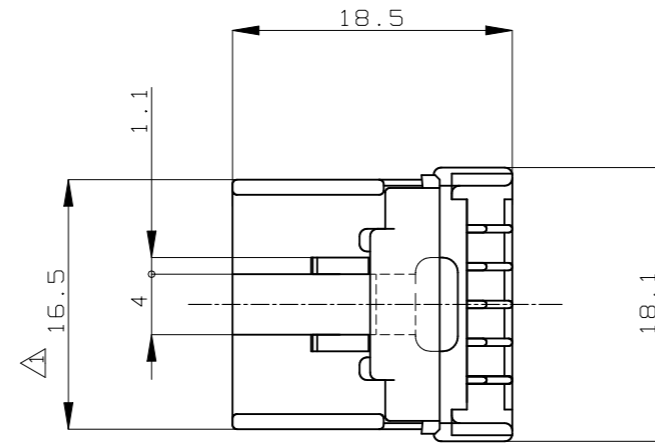
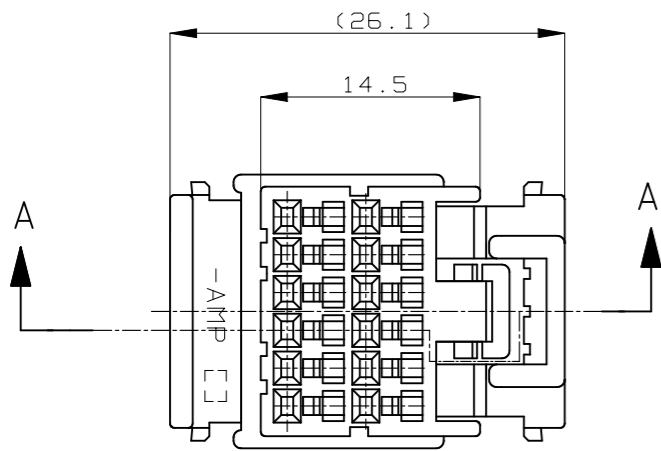
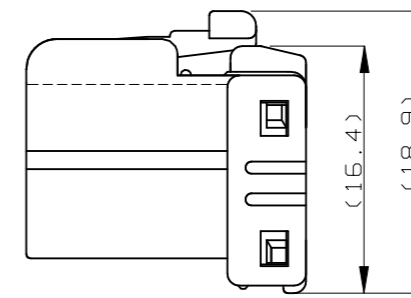
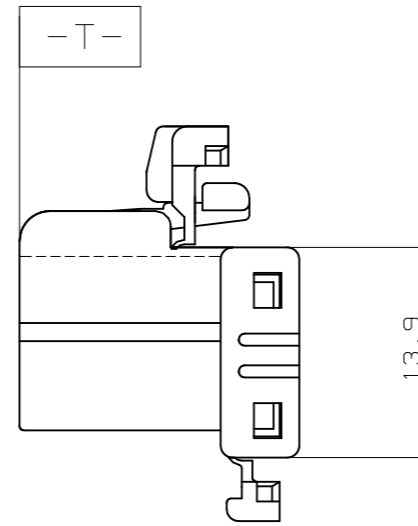


P	LTR	DESCRIPTION	DATE	DWN	APVD
	C6	REVISED	ECR-23-185274	06SEP2023	AG RK



A-A



二重ロック時
DOUBLE LOCKED

- ① TO BE MEASURED WITHIN 2mm FROM [-T-]
- 2. THE MATING CAP HOUSING NUMBERS: 174973, 174051, 174058, 174979, 174149 AND 174151
- 3. APPLIED CONTACT PART NUMBER: 173681, 175180

- ① [-T-] 面より2mmの範囲で測定
- 2. 嵌合相手ハウジング型番; 174973, 174051, 174058, 174979, 174149 AND 174151
- 3. 内装するコンタクト型番: 173681, 175180

TOLERANCE UNLESS OTHERWISE SPECIFIED: 一般公差	
0 < x ≤ 10	: ±0.2
10 < x ≤ 30	: ±0.25
30 < x ≤ 100	: ±0.3
ANGLE ; 角度	: ±3°

THIS DRAWING IS A CONTROLLED DOCUMENT.

DIMENSIONS: 単位: 耗 mm	TOLERANCES UNLESS OTHERWISE SPECIFIED: 一般公差
	0 PLC ± -
	1 PLC ± -
	2 PLC ± -
	3 PLC ± -
	4 PLC ± -
ANGLES	± -
MATERIAL 材料	FINISH 仕上
PBT	-

DWN	M.SUGAWARA	03AUG06
CHK	K.BETSUI	03AUG06
APVD	K.BETSUI	03AUG06
PRODUCT SPEC	製品規格	
APPLICATION SPEC	取付適用規格	
WEIGHT	0.000000	A300779
CUSTOMER DRAWING		

FJPI-174045-5 青 (BLUE) 174045-5 FJPI-174045-4 緑 (GREEN) 174045-4 FJPI-174045-2 黒 (BLACK) 174045-2 FJPI-174045-1 黒 (BLACK) 174045-1 OBSOLETE		PACKING INSTRUCTION NUMBER (梱包仕様書番号) 色 (COLOR) 製品型番 (PART NUMBER)
TE Connectivity		
12POSITION PLUG HOUSING 040SERIES MULTI-LOCK CONNECTOR		
SIZE	CAGE CODE	DRAWING NO 番号
	A300779	G-174045
SCALE 尺度 2:1		RESTRICTED TO
SHEET 1 OF 1		REV C6