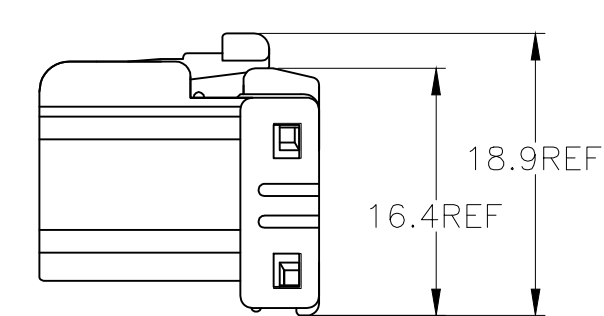
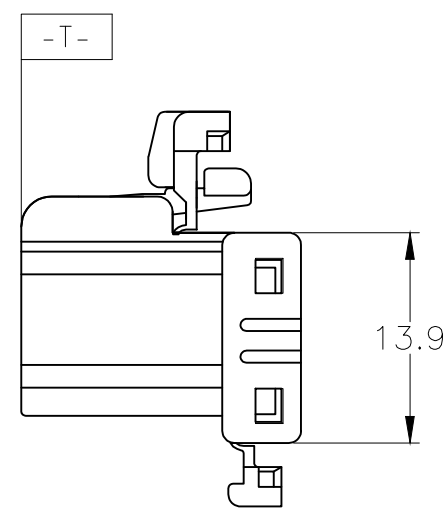
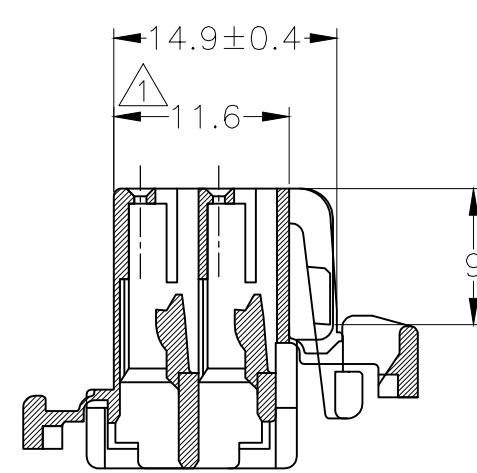
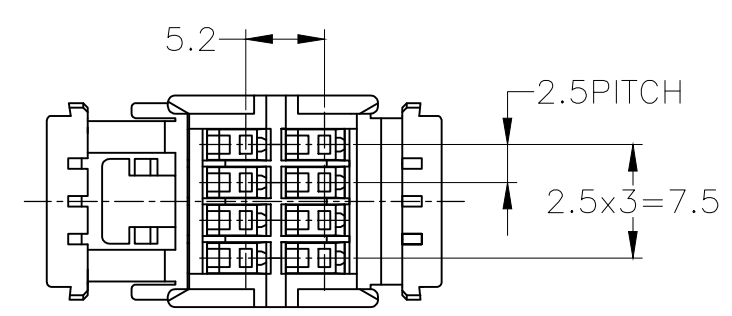
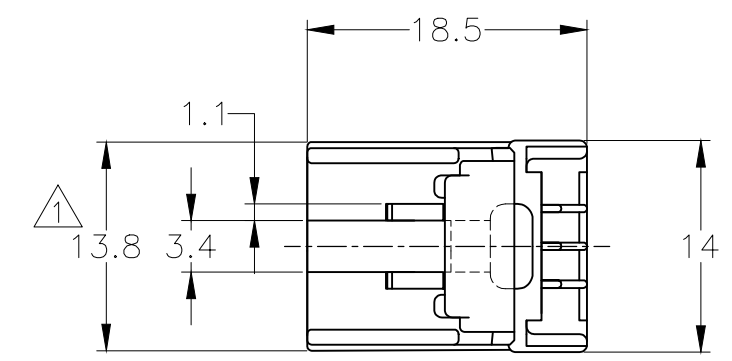
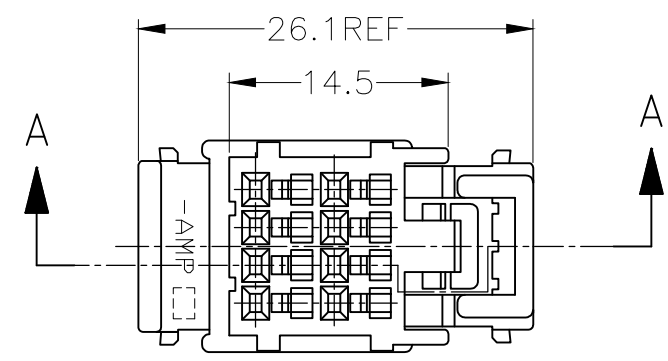


REVISIONS					
P	LTR	DESCRIPTION	DATE	DWN	APVD
	D4	OBSOLETE -5	ECR-20-007046	11NOV2020	PSJ TM



DOUBLE LOCKED
二重ロック時

- ① TO BE MEASURED WITHIN 2mm FROM [-T-]
 2. APPLICABLE PRODUCT SPECIFICATION NUMBER: 108-5244
 3. APPLICABLE INSTRUCTION SHEET NUMBER: 411-5883
 4. APPLICABLE CONTACT PART NUMBER: 173681, 175180
 5. THE MATING CAP HOUSING NUMBERS: 174971, 174049, 176121 AND 178455

- ① [-T-] 面より 2mm の範囲で測定
 2. 適用製品規格番号: 108-5244
 3. 適用取扱説明書番号: 411-5883
 4. 適用端子型番: 173681, 175180
 5. 嵌合相手ハウジング型番: 174971, 174049, 176121 AND 178455

TOLERANCE UNLESS OTHERWISE SPECIFIED: 一般公差	
0 < x ≤ 10	±0.2
10 < x ≤ 30	±0.25
30 < x ≤ 100	±0.3
ANGLE ; 角度	±3°

THIS DRAWING IS A CONTROLLED DOCUMENT.	
DIMENSIONS: mm	TOLERANCES UNLESS OTHERWISE SPECIFIED:
	0 PLC ± -
	1 PLC ± -
	2 PLC ± -
	3 PLC ± -
	4 PLC ± -
MATERIAL PBT	ANGLES ± -
	FINISH -

DWN T.SHINOHARA	04FEB2013
CHK K.BETSUI	04FEB2013
APVD K.BETSUI	04FEB2013
PRODUCT SPEC	NAME
APPLICATION SPEC	SEE NOTE 2
WEIGHT 2.3 g	SIZE A3
CUSTOMER DRAWING	CAGE CODE 00779

TE Connectivity			
040 SERIES MULTI-LOCK CONNECTOR 8 POSITION PLUG HOUSING			
DRAWING NO	CAGE CODE	RESTRICTED TO	
C-174044	A300779	-	
SCALE 2:1	SHEET 1 OF 1	REV D4	

OBSOLETE	BLUE	174044-5
	NATURAL	174044-1
	BLACK	174044-2
	COLOR	PART NUMBER