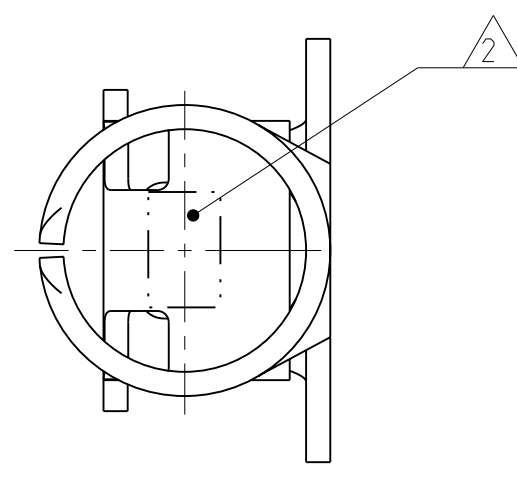
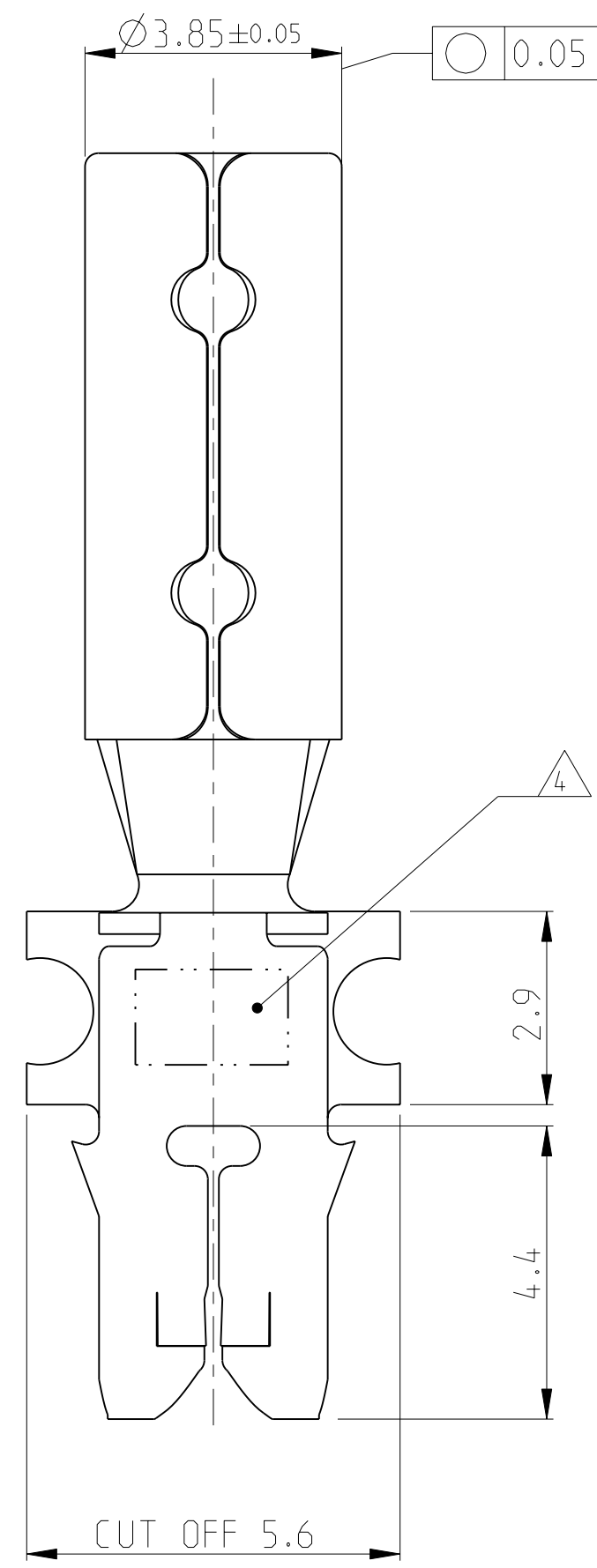
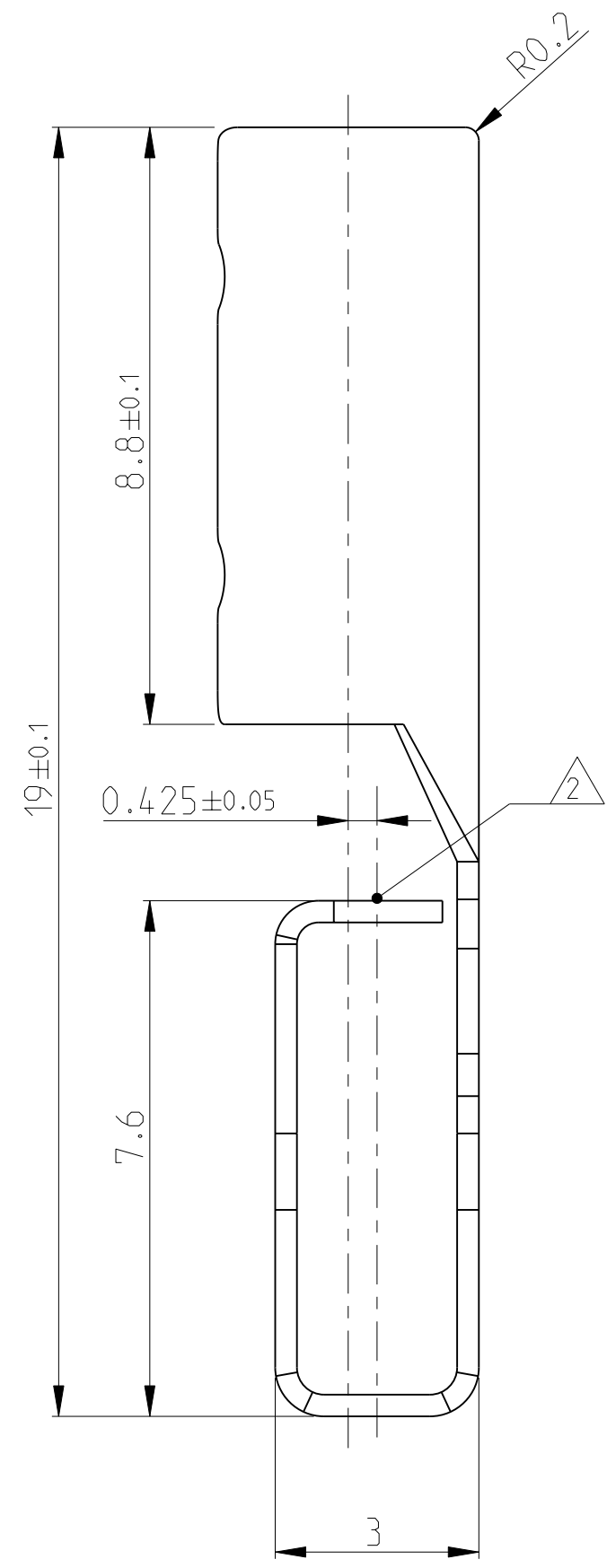
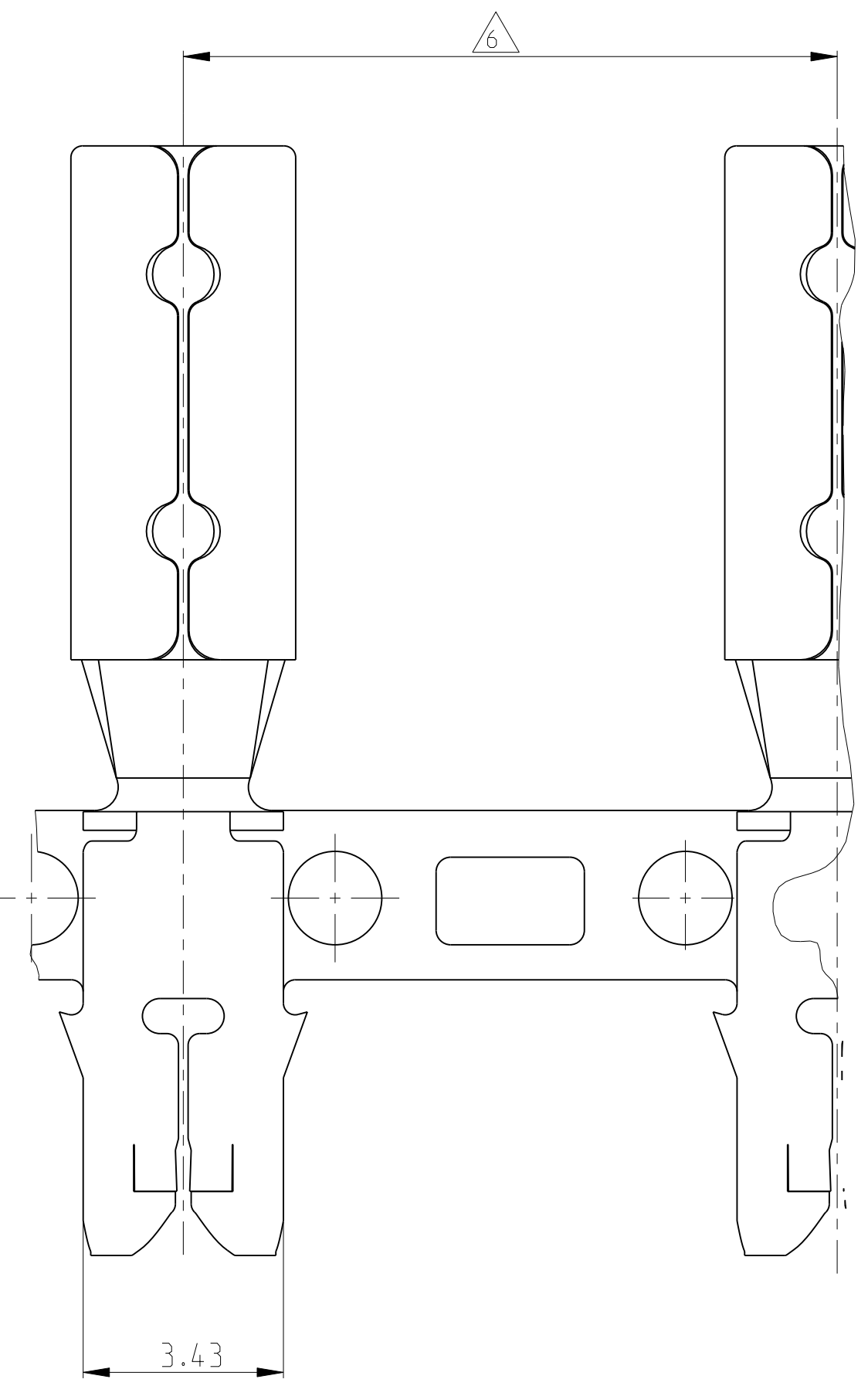


THIS DRAWING IS UNPUBLISHED. RELEASED FOR PUBLICATION 2011
 © COPYRIGHT 2011 ALL RIGHTS RESERVED.

LOC	DIST	REVISIONS			
P	LTR	DESCRIPTION	DATE	DWN	APVD
B		FIRST ISSUE	21OCT2011	PKS	RRP



- 1 SLOT ACCEPTS SINGLE/ DOUBLE MAGNET WIRE (SEE TABLE FOR SIZE)
Schlitz geeignet fuer Lackdraht einfach/doppelt gemass Tabelle
- 2 IDENTIFICATION NO. (SEE TABLE) FOR MAGNET WIRE RANGE
Kennziffer (siehe Tabelle) fuer Drahtgrossenbereich
- 3 Kontakt-Kammer nach TE Spec.411-18515
CAVITY ACCORDING TE SPEC.411-18515
- 4 Markenzeichen TE
TRADE MARK TE
- 5 Materialdicke und -breite
STOCK THICKNESS AND WIDTH } 0.32±0.01 x 44±0.05
- 6 DIE FEED 11.2

6	Ø0.25-0.36mm	Ø0.25-0.36mm	BRASS	B	1740417-1
ID MARK	DOUBLE WIRE	SINGLE WIRE	MATERIAL	REV	PART NO
2	WIRE RANGE 1				
THIS DRAWING IS A CONTROLLED DOCUMENT.			DWN SENTHIL 200CT2011 CHK SENTHIL 200CT2011 APVD RAJENDRA 200CT2011 PRODUCT SPEC		
DIMENSIONS: mm		TOLERANCES UNLESS OTHERWISE SPECIFIED: ±0.2		NAME MAG MATE EDGE-LEFT CONTACT DIAMETER 3.8mm	
MATERIAL SEE TABLE		FINISH		SIZE A2 CAGE CODE 00779 DRAWING NO C=1740417 RESTRICTED TO -	
CUSTOMER DRAWING			SCALE 10:1	SHEET 1 OF 1	REV B