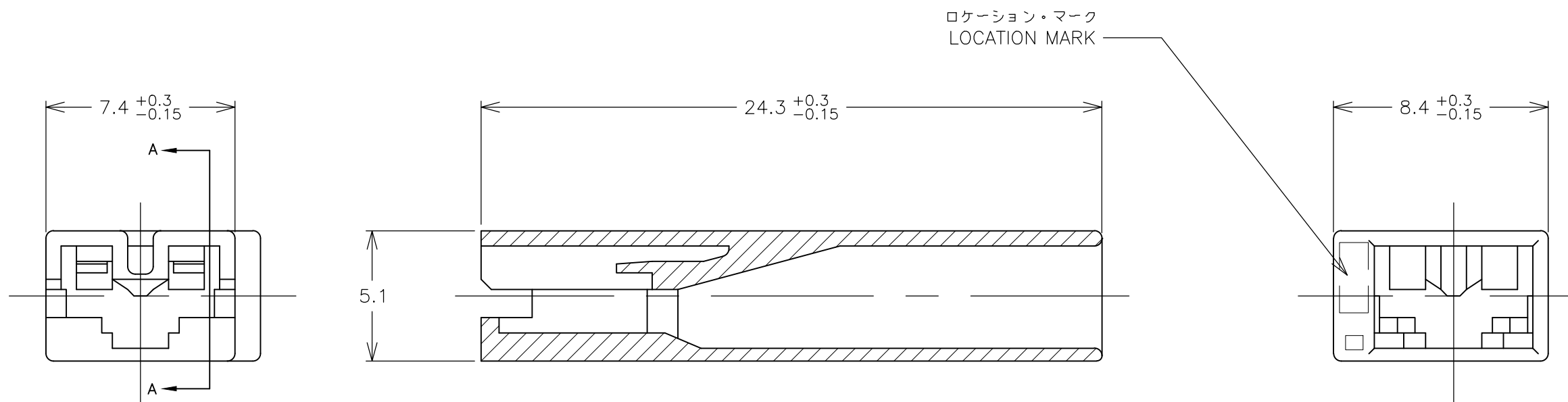


THIS DRAWING IS UNPUBLISHED. RELEASED FOR PUBLICATION FEB 2002.
 © COPYRIGHT 2002 By Tyco Electronics Japan G.K. ALL RIGHTS RESERVED.

REVISIONS 変更					
P	LTR	DESCRIPTION	DATE	DWN	APVD
	K8	REVISED PER ECR-19-002938	22FEB2019	BH	E.W



断面 A-A
(SECT. A-A)

注:

- 適用製品規格: 108-5126
- 本ハウジングに適用するコンタクトは 170324, 170325, 170326である。
- 適用タブ寸法については CP78-26022 を参照のこと。
 ④ 材料: 6/6ナイロン(UL94V-0)
 ⑤ 材料: 4/6ナイロン(UL94V-2)
 ⑥ 材料: 6/6ナイロンガラス入り(UL94V-0)

NOTES:

- PRODUCT SPECIFICATION ; 108-5126
- APPLICABLE CONTACT
P/N; 170324, 170325, 170326
- SEE CP78-26022, ABOUT APPLICABLE TAB.
 ④ MATERIAL: 6/6 NYLON(UL94V-0)
 ⑤ MATERIAL: 4/6 NYLON(UL94V-2)
 ⑥ MATERIAL: 6/6 NYLON GLASS FILLED(UL94V-0)
 ⑦ COMPLY WITH GLOW WIRE REQUIREMENT FOR PARTS OF NON-METALLIC MATERIAL SUPPORTING A CURRENT - CARRYING CONNECTION DETAILED IN IEC 60335-1, SECTION 30 (GWT)
 ⑧ PRELIMINARY- NOT FOR PRODUCTION
 ⑨ MATERIAL : PA66, UL 94 V-0, GWIT 775°C
 ⑩ PARTS MAY APPEAR MEDIUM COLORED TO LIGHT COLORED AND EXHIBIT A MARBLING EFFECT.

	④	④	3-173974-7	RED
	⑤	⑤	3-173974-6	BLUE
	⑥	⑥	3-173974-1	NATURAL
OBSOLETE	⑦	⑦	7-173974-1	(NATURAL)自然色
	⑧		2-173974-6	(BLUE)青
OBSOLETE	⑨		2-173974-4	(YELLOW)黄
	⑩		2-173974-1	(NATURAL)自然色
	⑪		1-173974-1	(NATURAL)自然色
	⑫		173974-7	(RED)赤
	⑬		173974-6	(BLUE)青
	⑭		173974-5	(GREEN)緑
	⑮		173974-4	(YELLOW)黄
	⑯		173974-2	(BLACK)黒
	⑰		173974-1	(NATURAL)自然色
	材料 (MATERIAL)		型番 (P/N)	色調 (COLOR)

THIS DRAWING IS A CONTROLLED DOCUMENT.		DWN M.SUZUKI 06FEB2002	TE Connectivity Ltd.		
DIMENSIONS: 単位: 耗 mm		CHK M.SHINDO 06FEB2002			
TOLERANCES UNLESS OTHERWISE SPECIFIED: 一般公差		APVD M.SHINDO 06FEB2002	NAME 名称		
0 PLØ ± 1 PLC ± 2 PLØ ± 0.3 3 PLC ± 4 PLØ ± ANGLES ± 3°		PRODUCT SPEC 製品規格 SEE NOTE 1	187 SERIES 1Pos. POSITIVE LOCK MARK-II HOUSING 187シリーズ 1極 ポジティブロック(マークII)ハウジング		
MATERIAL 材料 SEE TABLE		APPLICATION SPEC 取付適用規格	SIZE A3	CAGE CODE 00779	DRAWING NO 番号 C-173974
FINISH 仕上		WEIGHT	RESTRICTED TO		
		CUSTOMER DRAWING	SCALE 尺度 5:1	SHEET 1 OF 1	REV K8