

4

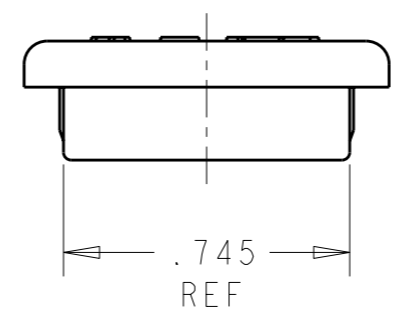
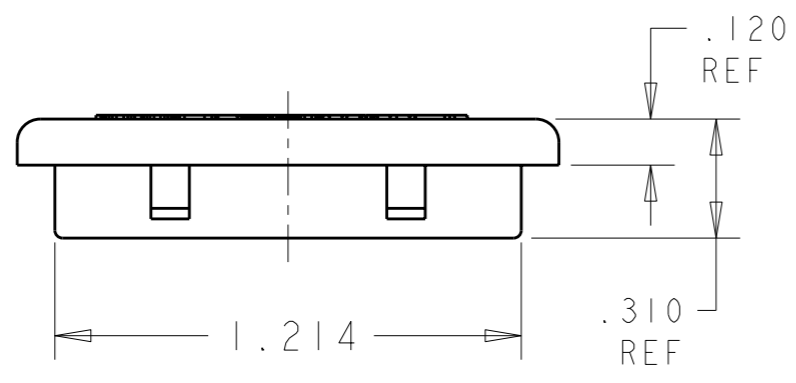
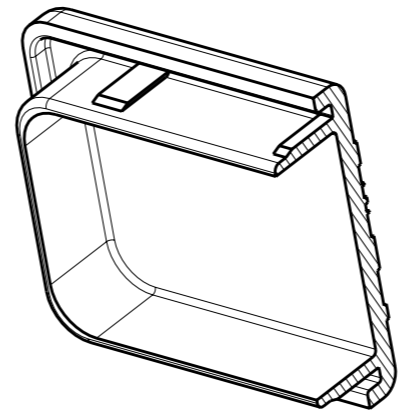
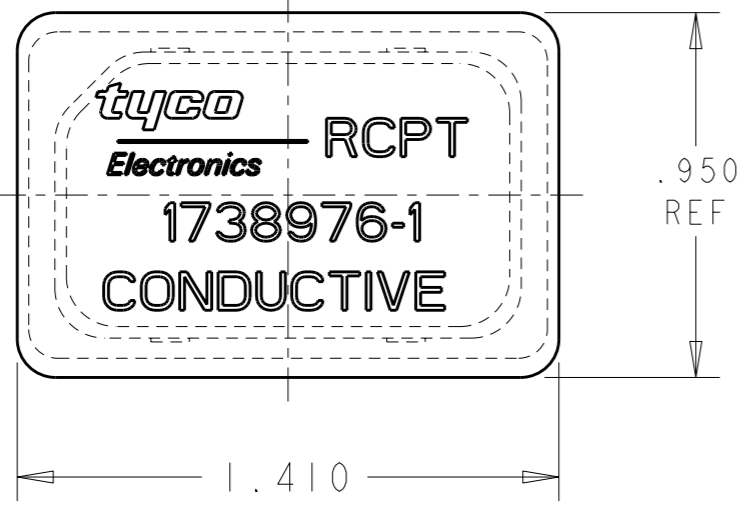
3

2

1

THIS DRAWING IS UNPUBLISHED. RELEASED FOR PUBLICATION 20
 © COPYRIGHT 20 BY TYCO ELECTRONICS CORPORATION. ALL RIGHTS RESERVED.

LOC	DIST	REVISIONS			
P	LTR	DESCRIPTION	DATE	DWN	APVD
DF	A5	A	REV PER ECO-07-011604	22JUN07	BH RW



1738949 AND 1738950	1738976-1
USED ON	PART NUMBER

MATL: CONDUCTIVE POLYPROPYLENE
 COLOR: BLACK

<small>THIS DRAWING IS A CONTROLLED DOCUMENT FOR TYCO ELECTRONICS CORPORATION IT IS SUBJECT TO CHANGE AND THE CONTROLLING ENGINEERING ORGANIZATION SHOULD BE CONTACTED FOR THE LATEST REVISION.</small>		DWN G DOUTY 5-18-04	Tyco Electronics Harrisburg, PA 17105-3608	
DIMENSIONS: IN 		CHK	NAME COVER, DUST, ESD, RECEPTACLE, 4 POSN BOEING QUADRAX RECTANGULAR	
TOLERANCES UNLESS OTHERWISE SPECIFIED: 0 PLC ±- 1 PLC ±.1 2 PLC ±.01 3 PLC ±.005 4 PLC ±.0020 ANGLES ±1°		APVD	PRODUCT SPEC	
MATERIAL		FINISH	APPLICATION SPEC	
		WEIGHT	SIZE A3	CAGE CODE 00779
		CUSTOMER DRAWING	DRAWING NO C-1738976	RESTRICTED TO
		SCALE 2:1	SHEET	OF
			REV	A