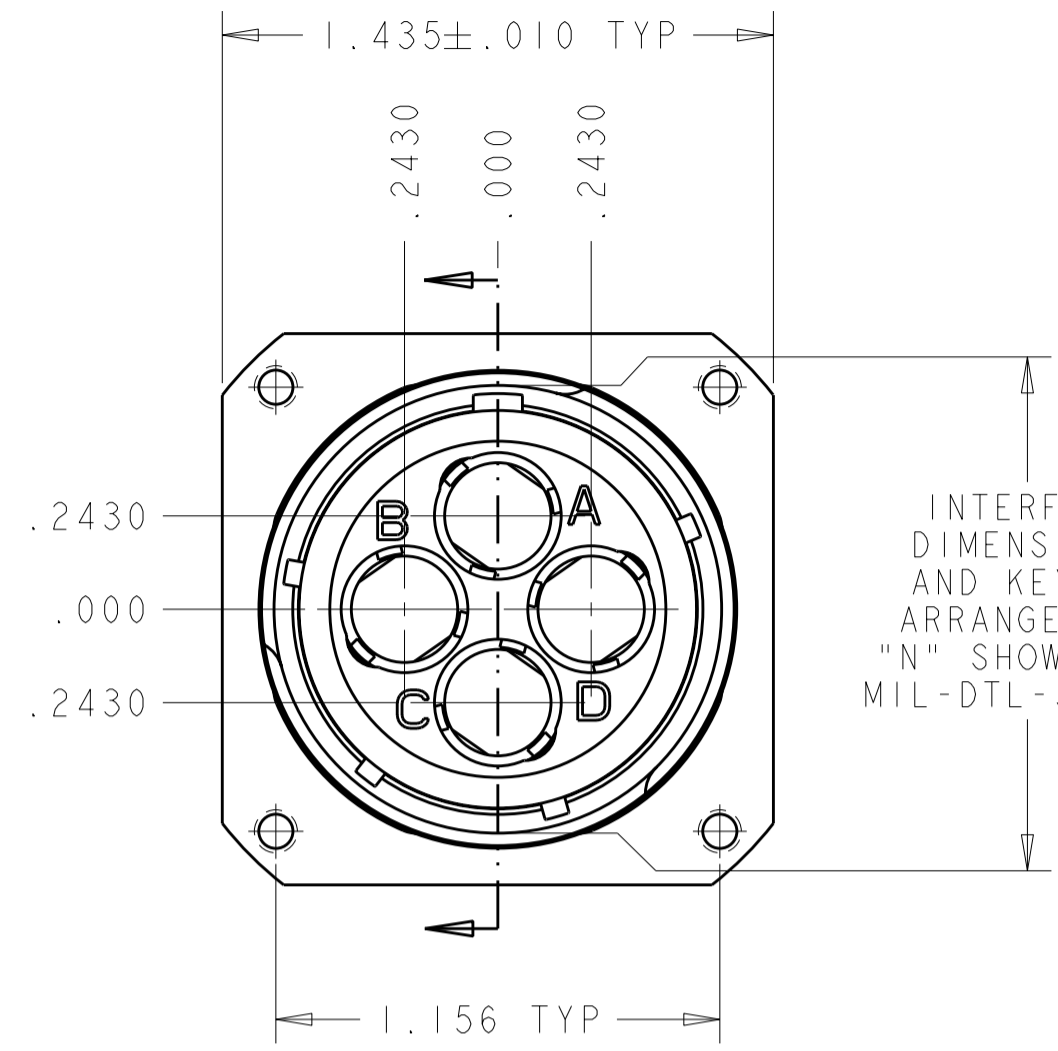


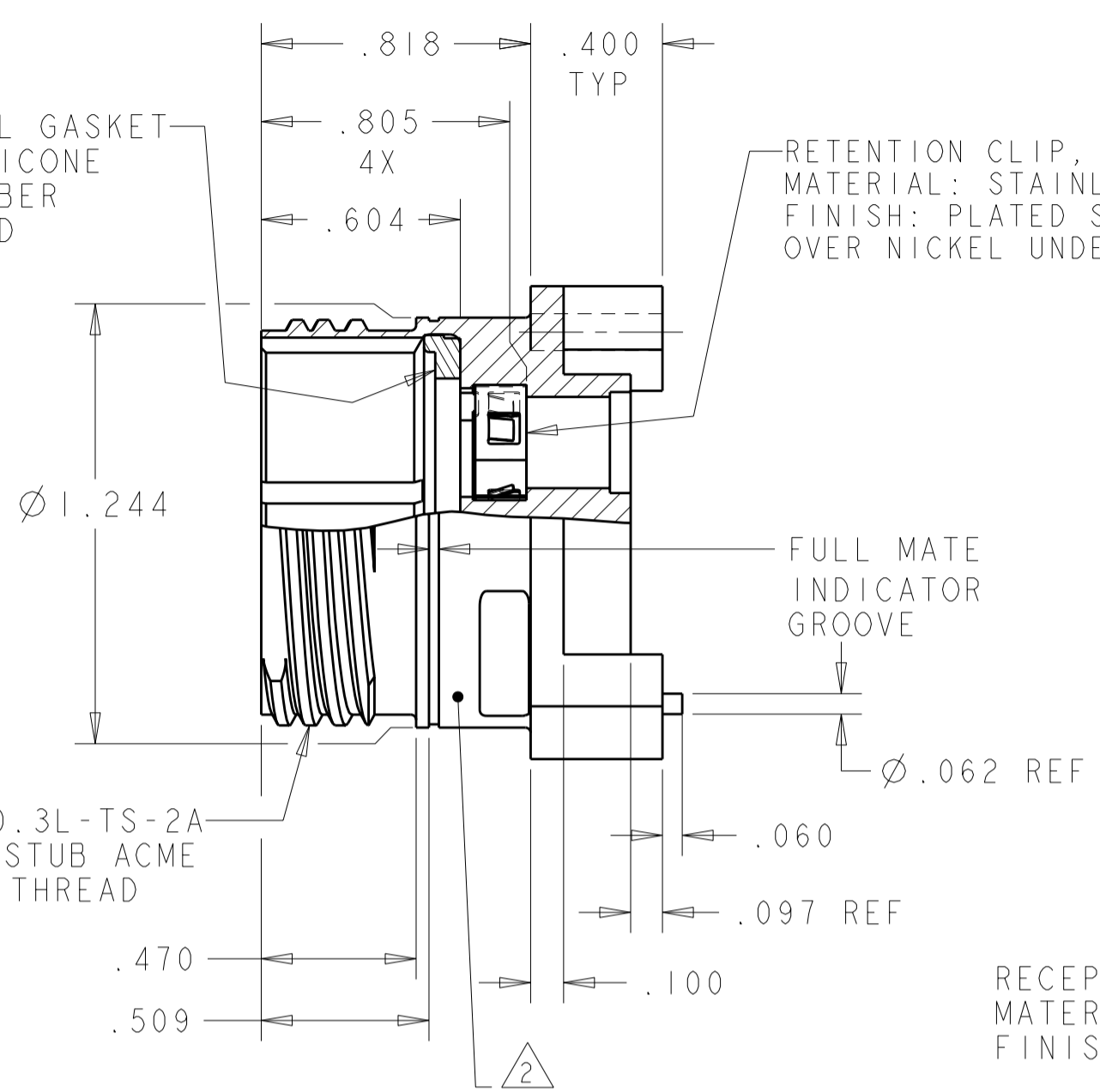
THIS DRAWING IS UNPUBLISHED. RELEASED FOR PUBLICATION 20
 © COPYRIGHT 20 BY TYCO ELECTRONICS CORPORATION. ALL RIGHTS RESERVED.

LOC	DIST	REVISIONS					
DF	A5	P	LTR	DESCRIPTION	DATE	DWN	APVD
		C		REVISED PER ECO-08-029679	23DEC2008	SK	DM



INTERFACE DIMENSIONS AND KEYWAY ARRANGEMENT "N" SHOWN PER MIL-DTL-38999K

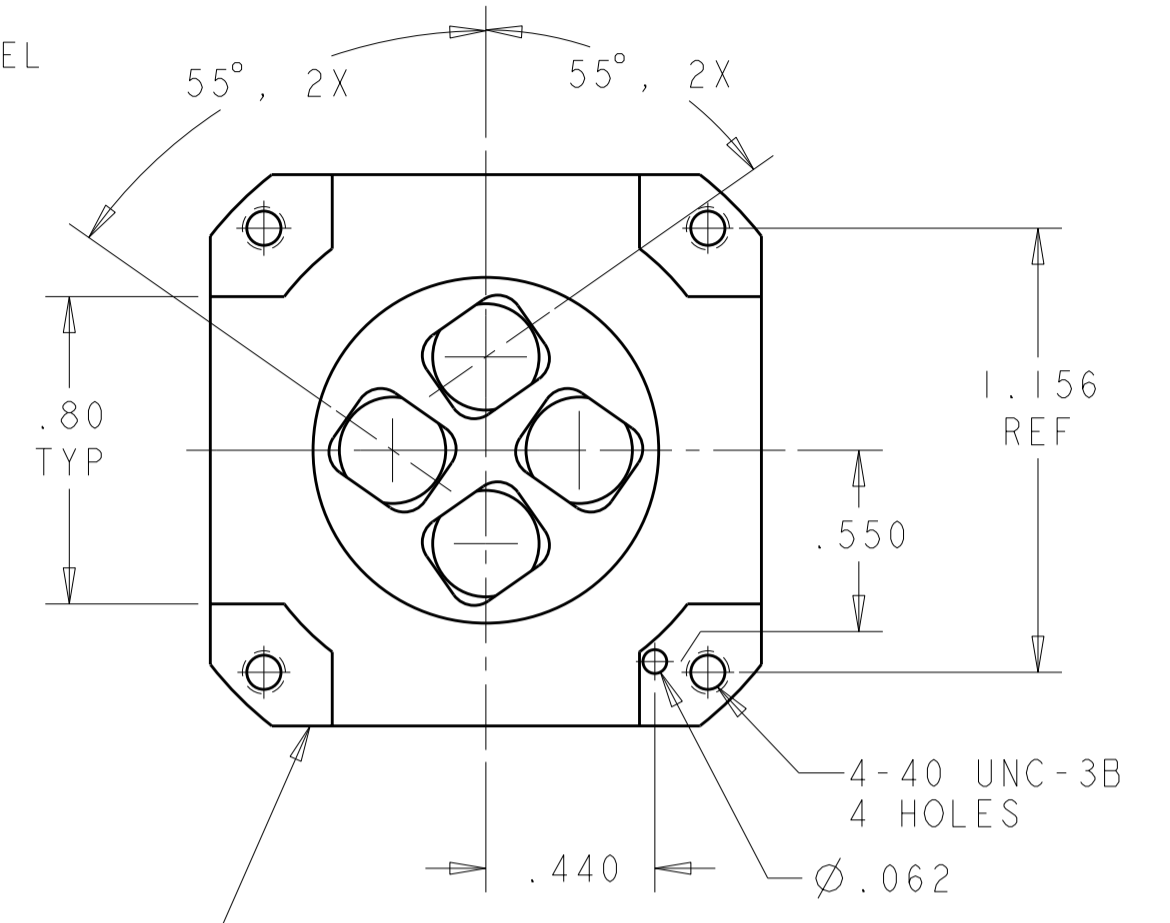
PERIPHERAL GASKET
 MATL: SILICONE RUBBER
 COLOR: RED



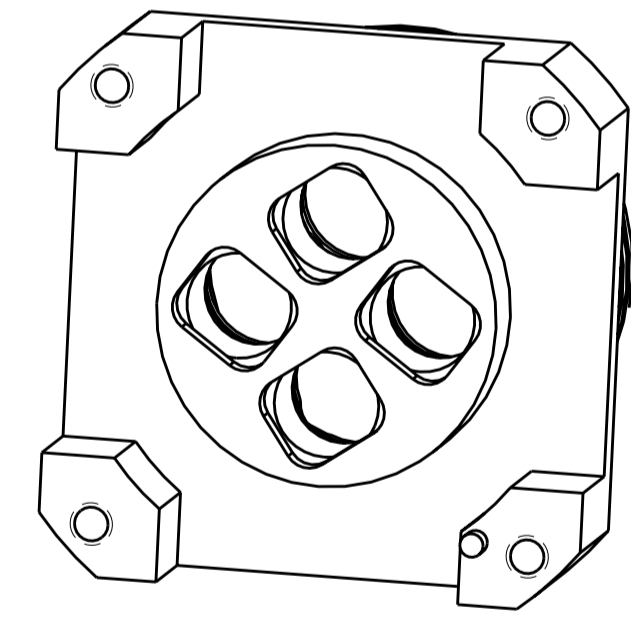
RETENTION CLIP, QTY=4
 MATERIAL: STAINLESS STEEL
 FINISH: PLATED SILVER OVER NICKEL UNDERPLATE

FULL MATE INDICATOR GROOVE

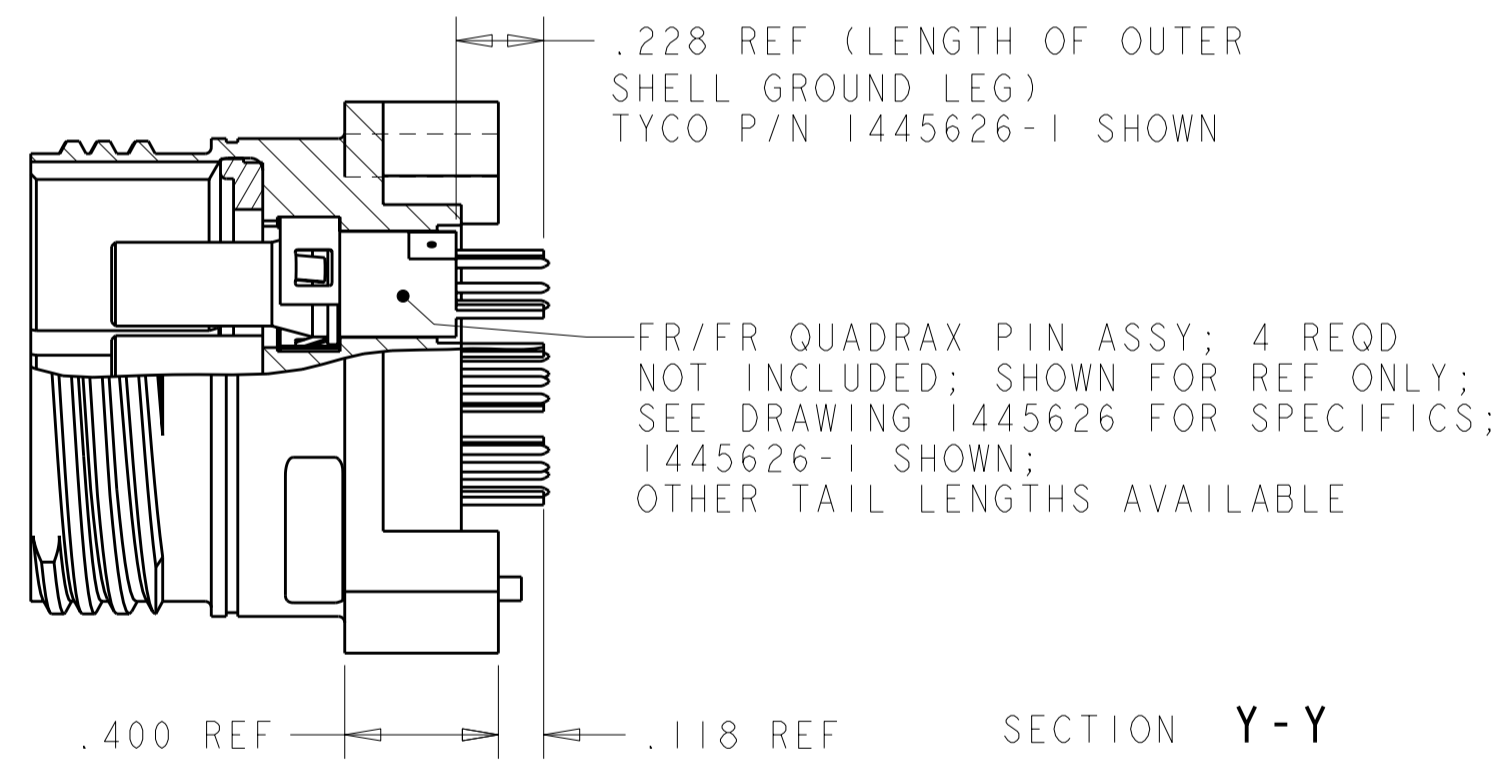
1.2500 0.1P-0.3L-TS-2A
 MODIFIED 60° STUB ACME TRIPLE START THREAD



RECEPTACLE SHELL
 MATERIAL: ALUMINUM ALLOY
 FINISH: ELECTROLESS NICKEL



TEMPORARY REAR VIEW SHOWING PROVISIONS FOR PCB MOUNTING



FR/FR QUADRAX PIN ASSY; 4 REQD NOT INCLUDED; SHOWN FOR REF ONLY; SEE DRAWING 1445626 FOR SPECIFICS; 1445626-1 SHOWN; OTHER TAIL LENGTHS AVAILABLE

SECTION Y-Y

CONTACTS NOT INCLUDED WITH ASSY; SHOWN FOR REFERENCE ONLY IN SHOWING SOLDER TAIL LENGTHS

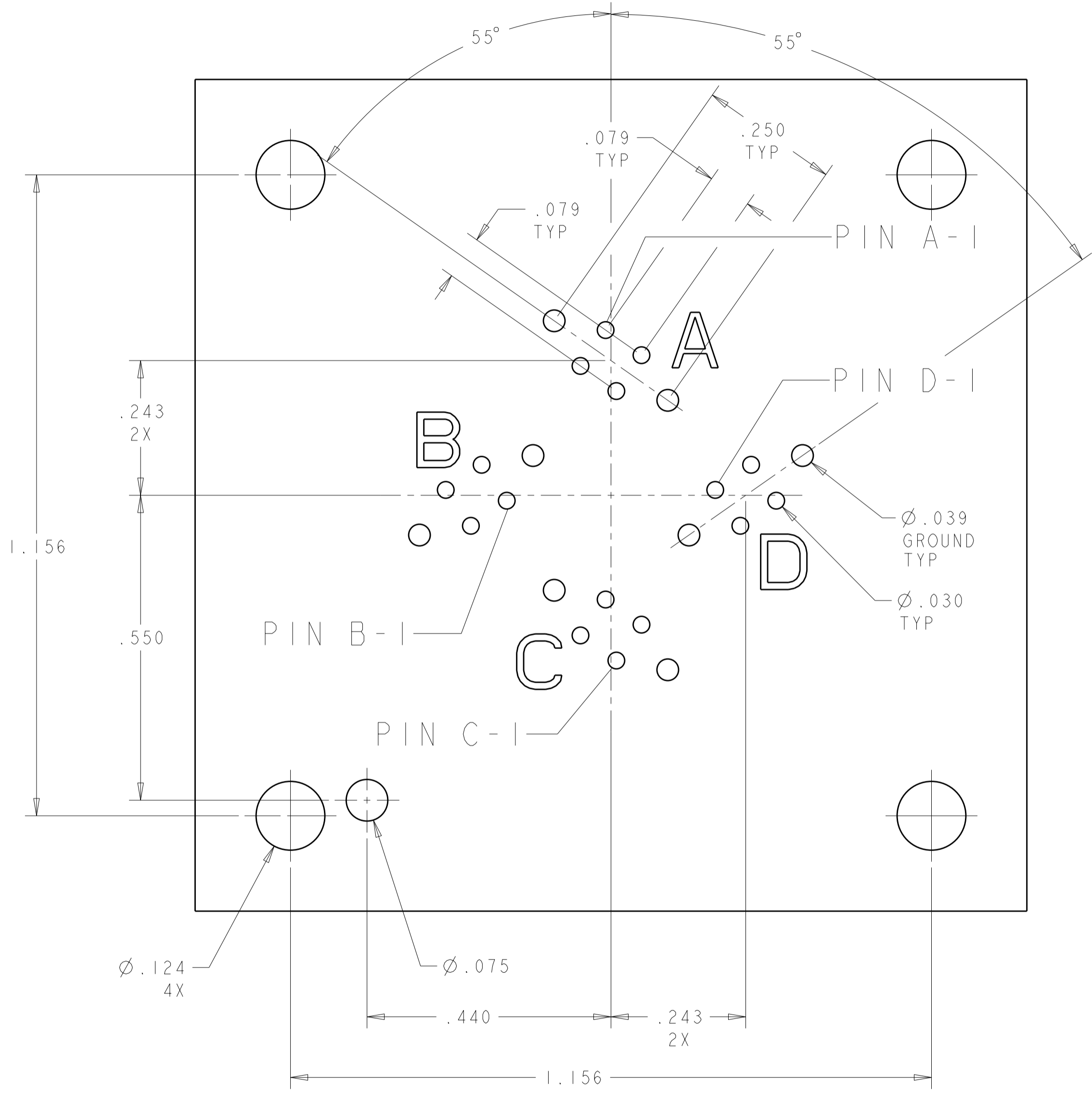
- THIS CONNECTOR ACCEPTS TYCO ELECTRONICS QUADRAX FR/FR PIN ASSEMBLY; BASE NUMBERS 1445626.
- PART IS MARKED WITH CUSTOMER PART NO. (SEE TABLE, TYCO ELECTRONICS CAGE CODE (00779), TYCO ELECTRONICS LOGO OR TE AND DATE CODE.
- THE CONNECTOR QUALIFICATION WAS COMPLETED PER TYCO ELECTRONICS 108-2199. THE QUADRAX CONTACTS ARE QUALIFIED PER TYCO ELECTRONICS 108-2131. THE REFERENCE TEST REPORTS ARE TYCO ELECTRONICS 501-660 FOR THE CONNECTOR AND 501-574 FOR THE CONTACTS WHICH ARE SAME AS ARINC 600-13, DRAFT 2 OF SUPPLEMENT 14 (AIR TRANSPORT AVIONICS EQUIPMENT INTERFACES).

---	B	1738974-3
---	A	1738974-2
---	N	1738974-1
CUSTOMER PART NUMBER	SHELL KEYING ARRANGEMENT	PART NUMBER

<small>THIS DRAWING IS A CONTROLLED DOCUMENT FOR TYCO ELECTRONICS CORPORATION IT IS SUBJECT TO CHANGE AND THE CONTROLLING ENGINEERING ORGANIZATION SHOULD BE CONTACTED FOR THE LATEST REVISION.</small>		DWN 19MAY2004 Brent D. Yohn CHK 19MAY2004 W.H. BERNHART APVD 19MAY2004 W.H. BERNHART	Tyco Electronics Harrisburg, PA 17105-3608
DIMENSIONS: INCHES 	TOLERANCES UNLESS OTHERWISE SPECIFIED: 0 PLC ±- 1 PLC ±.1 2 PLC ±.01 3 PLC ±.005 4 PLC ±.0020 ANGLES ±2°30"	NAME ASSY, RECEPTACLE, SIZE 19, 404, M38999 STYLE, SERIES III, PCB MOUNT PRODUCT SPEC - APPLICATION SPEC - WEIGHT - CUSTOMER DRAWING	SIZE A2 CAGE CODE 00779 DRAWING NO. 1738974 RESTRICTED TO - SCALE 2:1 SHEET 1 OF 2 REV C

THIS DRAWING IS UNPUBLISHED. RELEASED FOR PUBLICATION 20
 © COPYRIGHT 20 BY TYCO ELECTRONICS CORPORATION. ALL RIGHTS RESERVED.

LOC	DIST	REVISIONS					
DF	A5	P	LTR	DESCRIPTION	DATE	DWN	APVD
		-		SEE SHEET 1			



PIN NUMBER	SIGNAL ALLOCATION
1	Tx+
2	Rx+
3	Tx-
4	Rx-

PIN LOCATIONS GO CLOCKWISE FROM POSITION 1

PCB LAYOUT
TOP VIEW

<small>THIS DRAWING IS A CONTROLLED DOCUMENT FOR TYCO ELECTRONICS CORPORATION. IT IS SUBJECT TO CHANGE AND THE CONTROLLING ENGINEERING ORGANIZATION SHOULD BE CONTACTED FOR THE LATEST REVISION.</small>		DWN 19MAY2004 Brent D. Yohn CHK 19MAY2004 W.H. BERNHART APVD 19MAY2004 W.H. BERNHART	Tyco Electronics Harrisburg, PA 17105-3608
DIMENSIONS: IN 	TOLERANCES UNLESS OTHERWISE SPECIFIED: 0 PLC ±. 1 PLC ±.1 2 PLC ±.01 3 PLC ±.005 4 PLC ±.0020 ANGLES ±2°30" FINISH	NAME ASSY, RECEPTACLE, SIZE 19, 4Q4, M38999 STYLE, SERIES III, PCB MOUNT PRODUCT SPEC - APPLICATION SPEC - WEIGHT -	SIZE A2 CAGE CODE 00779 DRAWING NO. 1738974 RESTRICTED TO -
MATERIAL -		CUSTOMER DRAWING	
		SCALE 2:1	SHEET 2 OF 2 REV C