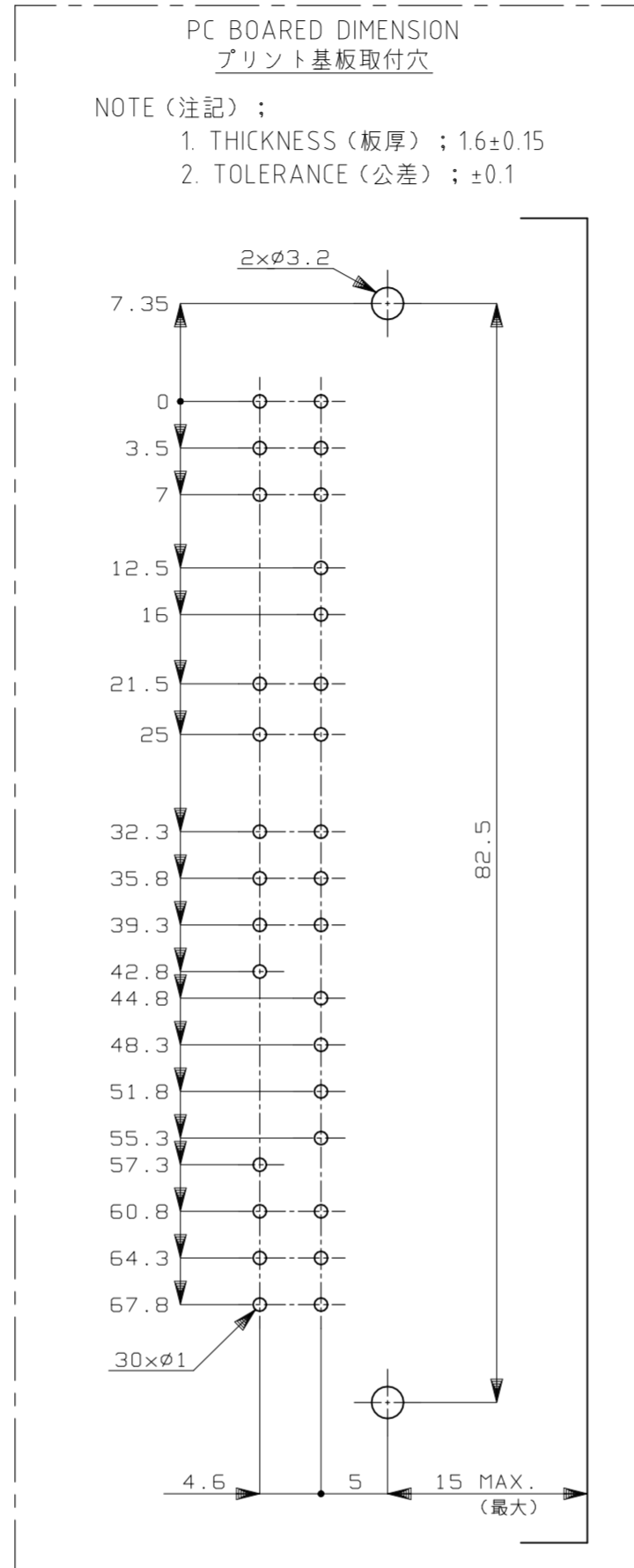
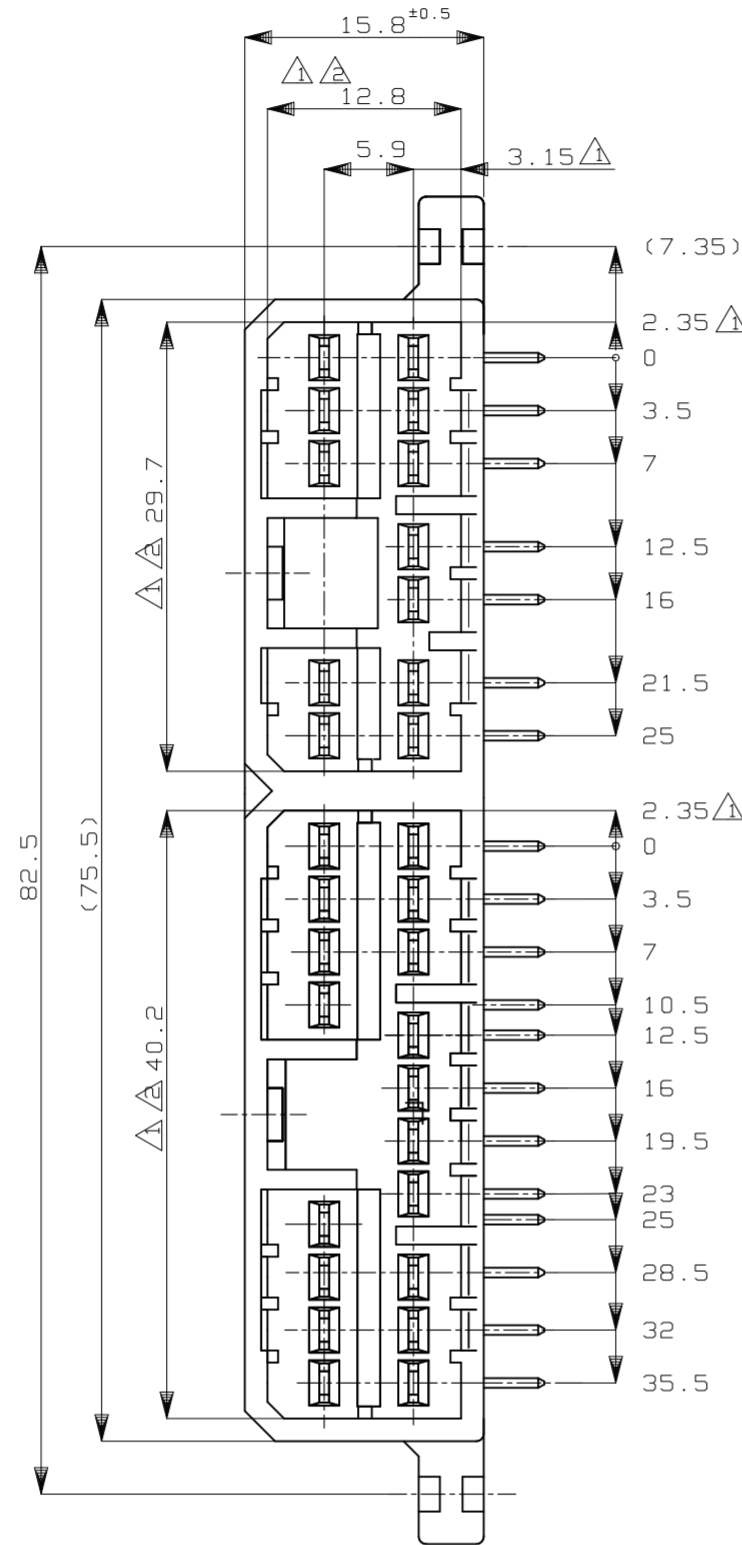
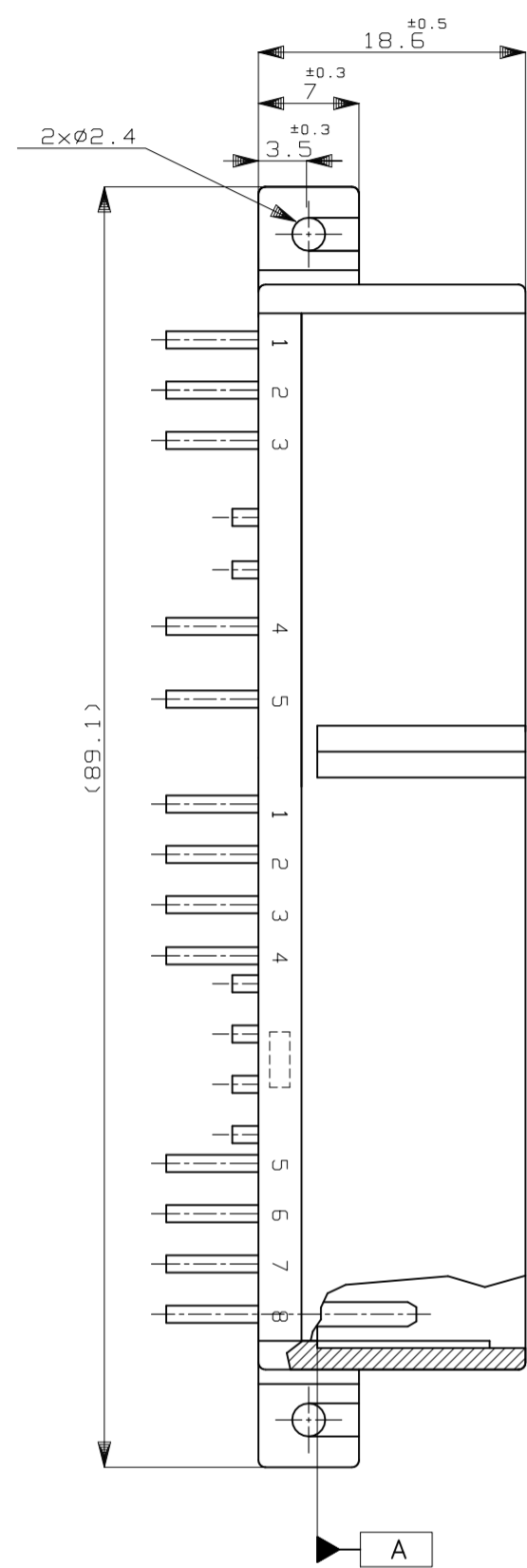
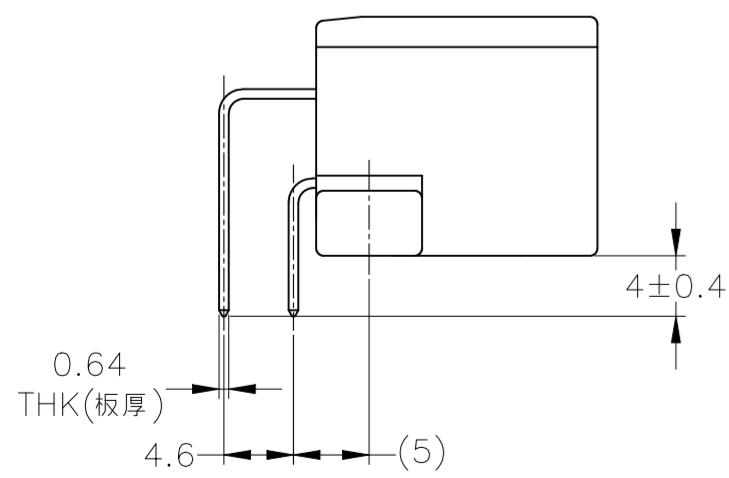
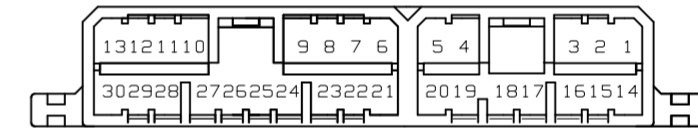


REVISIONS					
P	LTR	DESCRIPTION	DATE	DWN	APVD
HB	REVISED	ECR-23-185274	06SEP2023	AG	RK



- △ A 面より2mmの範囲で測定。
- △ 相手ハウジングと所定の機能を満足して嵌合できること
- 3. プリント基板への取付は、JIS B1115又は1122 M3×6ナベ (2種又は4種) のタッピンネジで締付けた後ハンダ付する (締付けトルク: 0.4N-m 以下)
- △ 回路番号: 下図参照のこと。
- △ TO BE MEASURED BETWEEN A AND 2
- △ TO BE MATE WITH PLUG HSG SMOOTHLY
- 3. TO BE USE M3 TAPPING SCREW JIS B1115 OR 1122 (TYPE 2 OR 4) BEFORE SOLDER
- △ CIRCUIT NUMBER.



OBSELETE	HB	SELECTIVE-TIN (MATTE)	SELECTIVE GOLD x 30	1~30 (全極)	-	GREEN 緑色	2-5173866-4
	HB	SELECTIVE-TIN (MATTE)	SELECTIVE GOLD x 30	1~30 (全極)	-	NATURAL 自然色	2-5173866-1
OBSELETE	HB	TIN-LEAD	SELECTIVE GOLD x 30	1~30 (全極)	-	GREEN 緑色	2-173866-4
	HB				SEE CUSTOMER DRAWING 4-173866-2		4-173866-2
OBSELETE	HB				SEE CUSTOMER DRAWING 4-173866-1		4-173866-1
OBSELETE	V-2		PRE-TIN x 30		1~30 (全極)	NATURAL 自然色	9-173866-1
OBSELETE	HB	TIN-LEAD	SELECTIVE GOLD x 30	1~30 (全極)		NATURAL 自然色	2-173866-1
	HB		PRE-TIN x 30		1~30 (全極)	GRAY 灰色	173866-6
	HB		PRE-TIN x 30		1~30 (全極)	GREEN 緑色	173866-4
	HB		PRE-TIN x 30		1~30 (全極)	NATURAL 自然色	173866-1
		SOLDERING SIDE 平田付側	CONTACT SIDE 接触部側				
			CONTACT FINISH コンタクト仕上				
					△ GOLD PLATED CIRCUIT NO. 金めっき回路番号	△ PRE-TIN CIRCUIT NO. ぬめり回路番号	
						COLOR 色	PART NUMBER 製品型番

TOLERANCE UNLESS OTHERWISE SPECIFIED: 一般公差

0 <= x <= 10 : ±0.2
10 <= x <= 30 : ±0.25
30 <= x <= 100 : ±0.3
ANGLE : ±3°

THIS DRAWING IS A CONTROLLED DOCUMENT.

DIMENSIONS: 単位: 寸 mm

TOLERANCES UNLESS OTHERWISE SPECIFIED: 一般公差

0 PLC ±
1 PLC ±-
2 PLC ±-
3 PLC ±-
4 PLC ±-
ANGLES ±-

MATERIAL 材料: HOUSING: PBT CONTACT: BRASS

FINISH 仕上: SEE TABLE

DWN: T.SHINOHARA 19SEP03
CHK: K.BETSUI 19SEP03
APVD: K.BETSUI 19SEP03

NAME 名称: 070 SERIES MULTI-LOCK I/O CONNECTOR 30POSITION CAP HOUSING ASSEMBLY

PRODUCT SPEC: 108-5216
APPLICATION SPEC: 取付適用規格

SIZE: A2 CAGE CODE: 00779 DRAWING NO: C=173866

WEIGHT: 16.75 g

CUSTOMER DRAWING

RESTRICTED TO: -

SCALE: 2:1 SHEET: 1 of 1 REV: H8