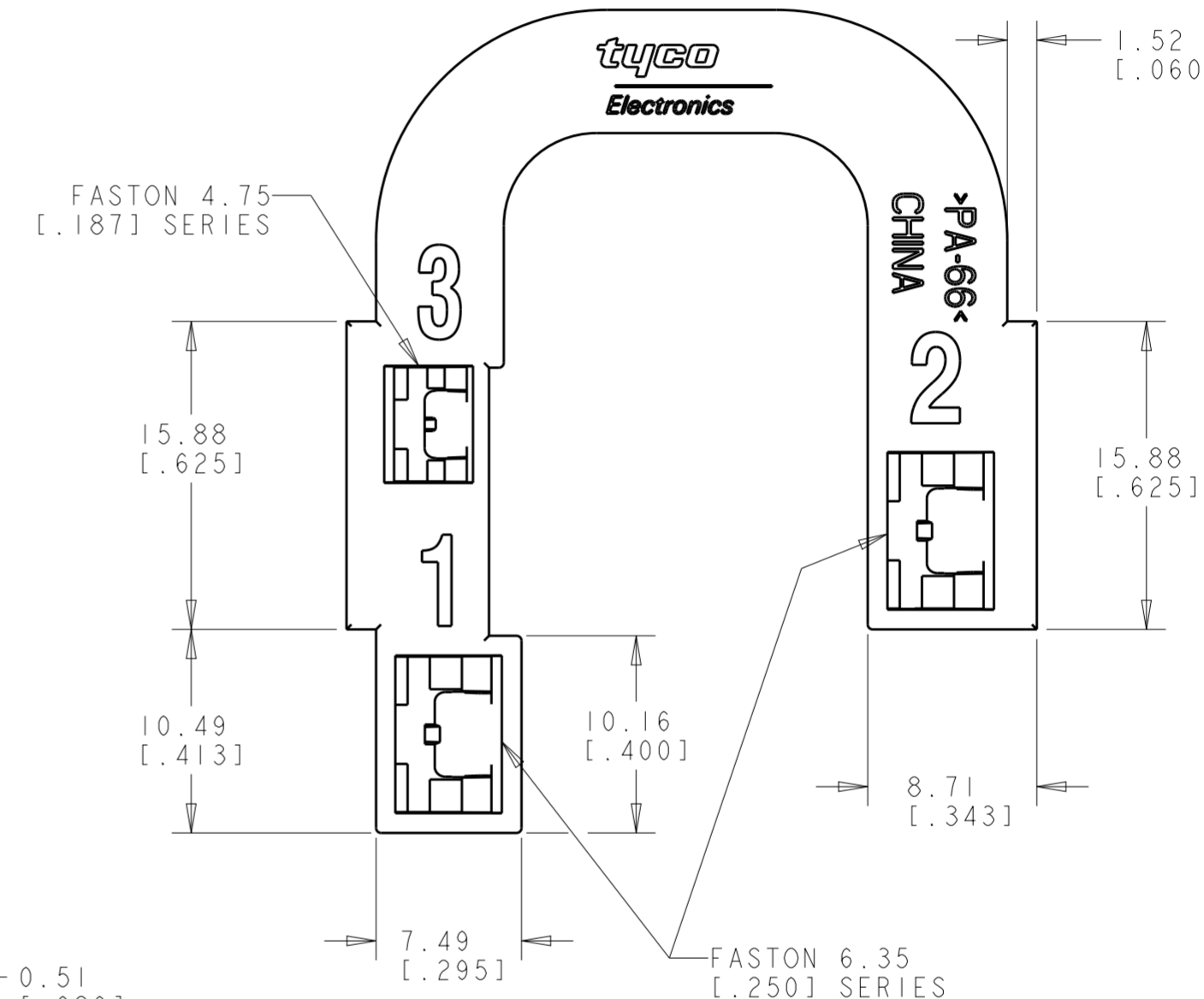
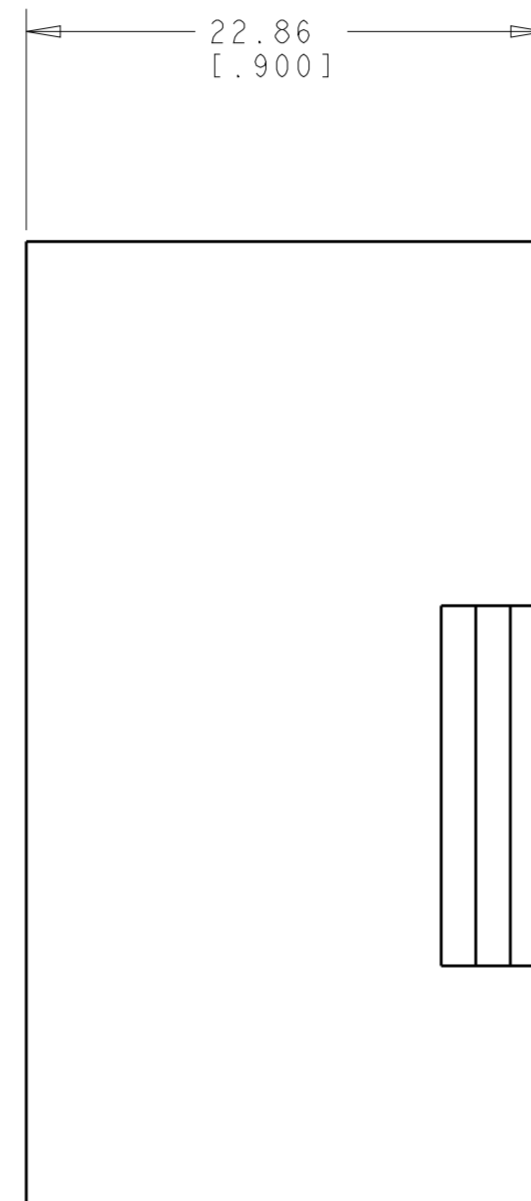
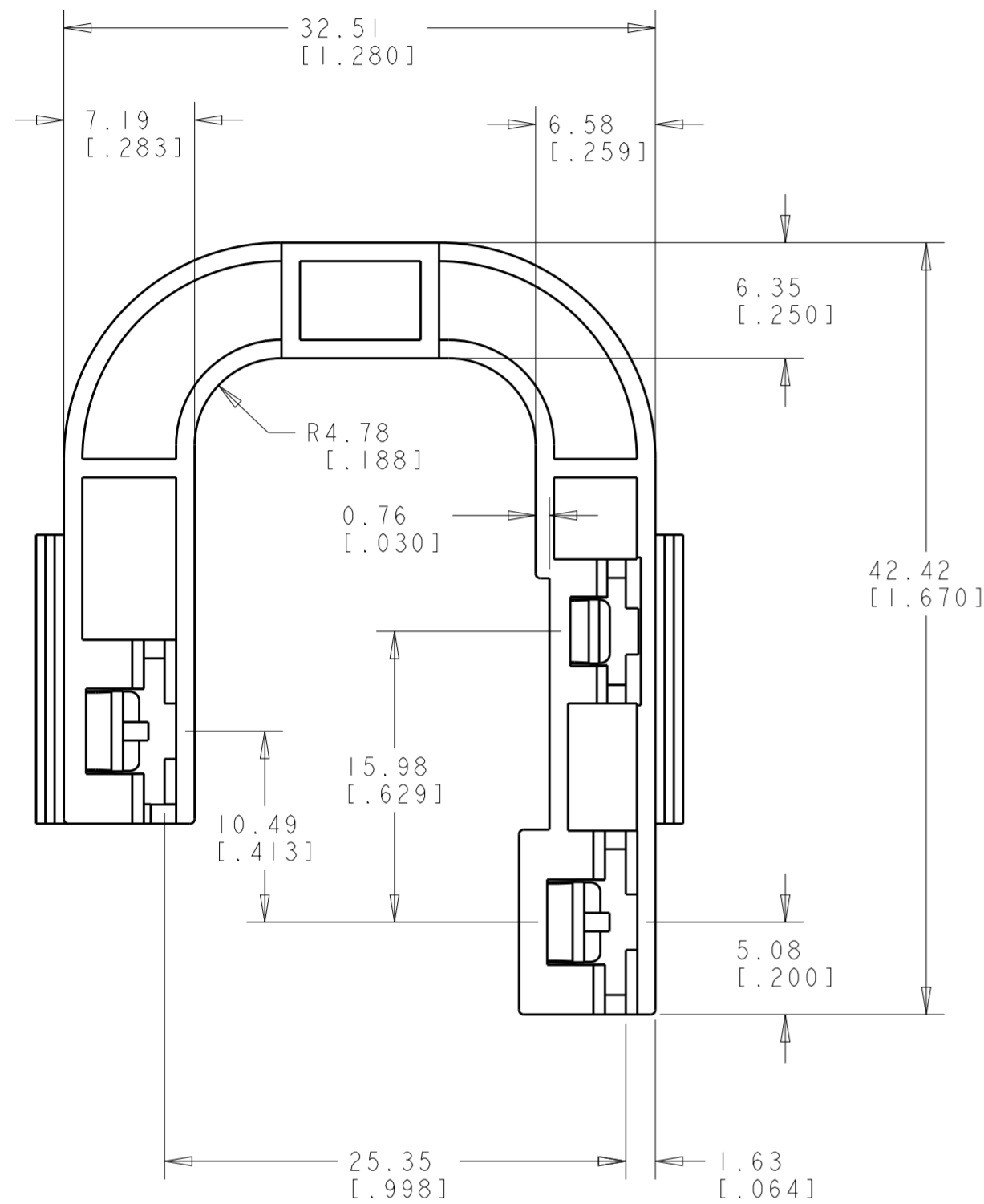
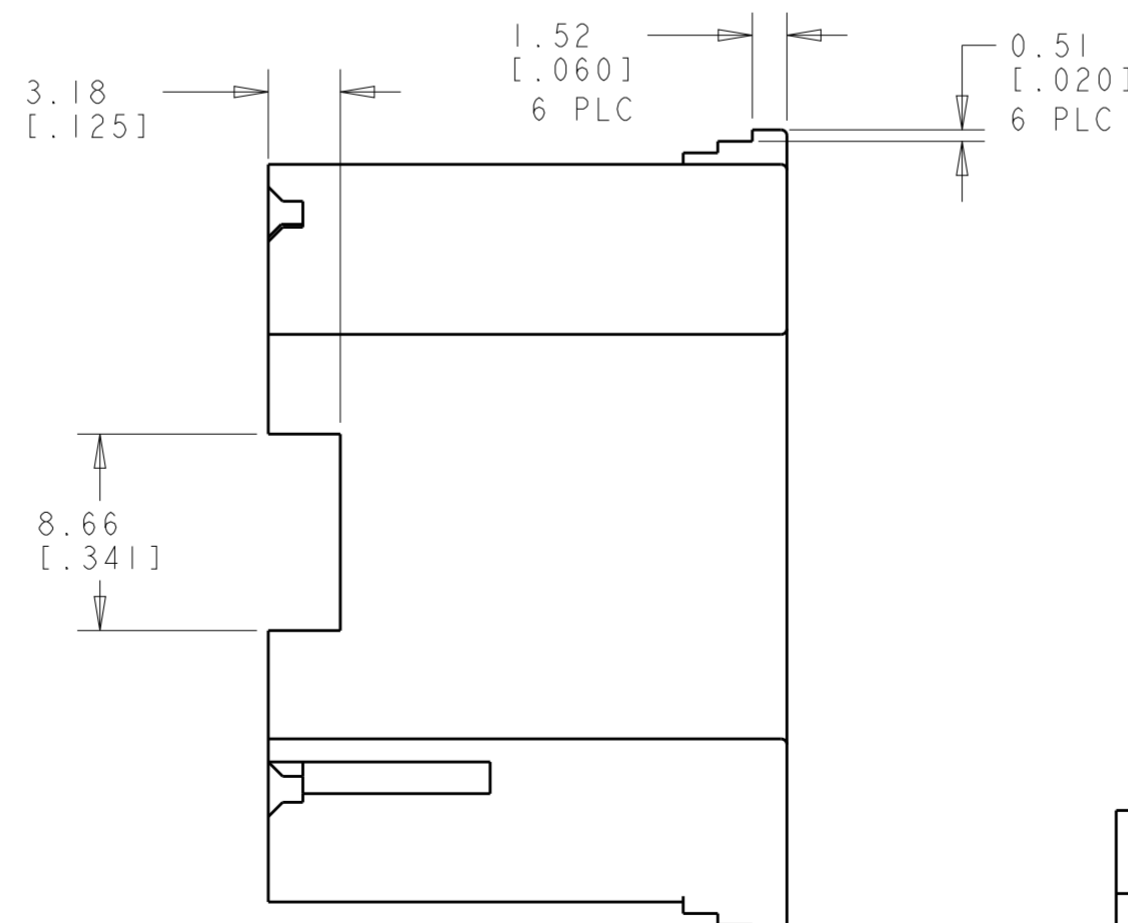
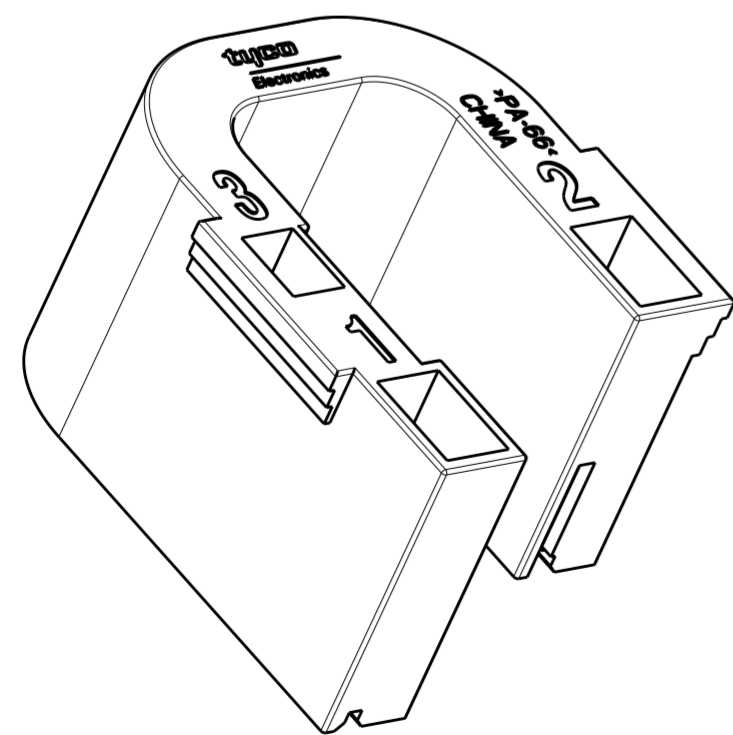


REVISIONS				
P	LTR	DESCRIPTION	DATE	APVD
B		REVISED PER ECR-19-012753	05SEP2019	BH E.W



- RECOMMENDED MATING TAB LENGTH IS 9.78 [.385] MIN.
- RECOMMENDED CENTERLINE SPACING OF TABS TO BE ± 0.127 [.005].
- MATERIAL: NYLON 6/6, UL94 V-2, ELECTRICAL RTI 125 °C MIN.



R0.25 [.010] TYP

OBSOLETE	NATURAL	1738495-1
	COLOR	PART NUMBER

THIS DRAWING IS A CONTROLLED DOCUMENT.		DWN 28OCT2003 J.C. YOSLER	TE Connectivity	
DIMENSIONS: mm [INCHES]		CHK 28OCT2003 M. LAUERMANN	NAME HOUSING, RECP, FASTON INFINITE SWITCH E	
TOLERANCES UNLESS OTHERWISE SPECIFIED: 0 PLC ± 1 PLC ± 2 PLC ±.38 [.015] 3 PLC ± 4 PLC ± ANGLES ±2° FINISH -		APVD 28OCT2003 M. LAUERMANN	PRODUCT SPEC -	RESTRICTED TO -
MATERIAL 3		APPLICATION SPEC -	WEIGHT -	SCALE 3:1 SHEET 1 OF 1 REV B
		CUSTOMER DRAWING	SIZE A200779	DRAWING NO. C-1738495