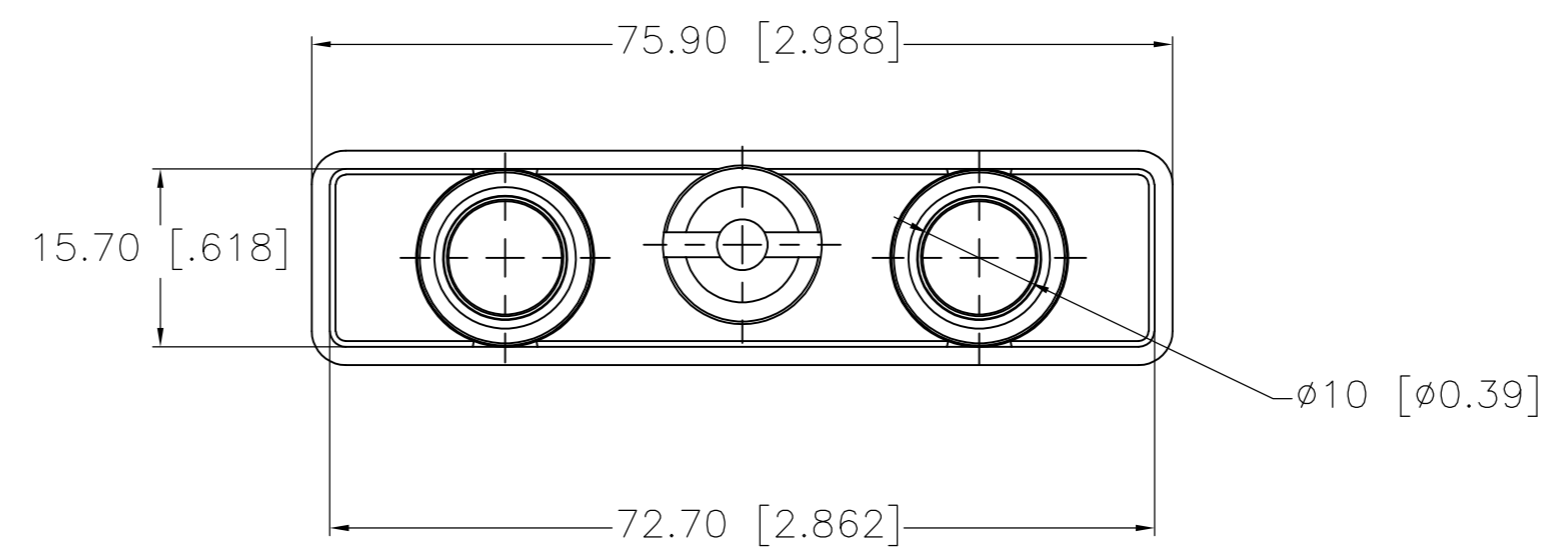
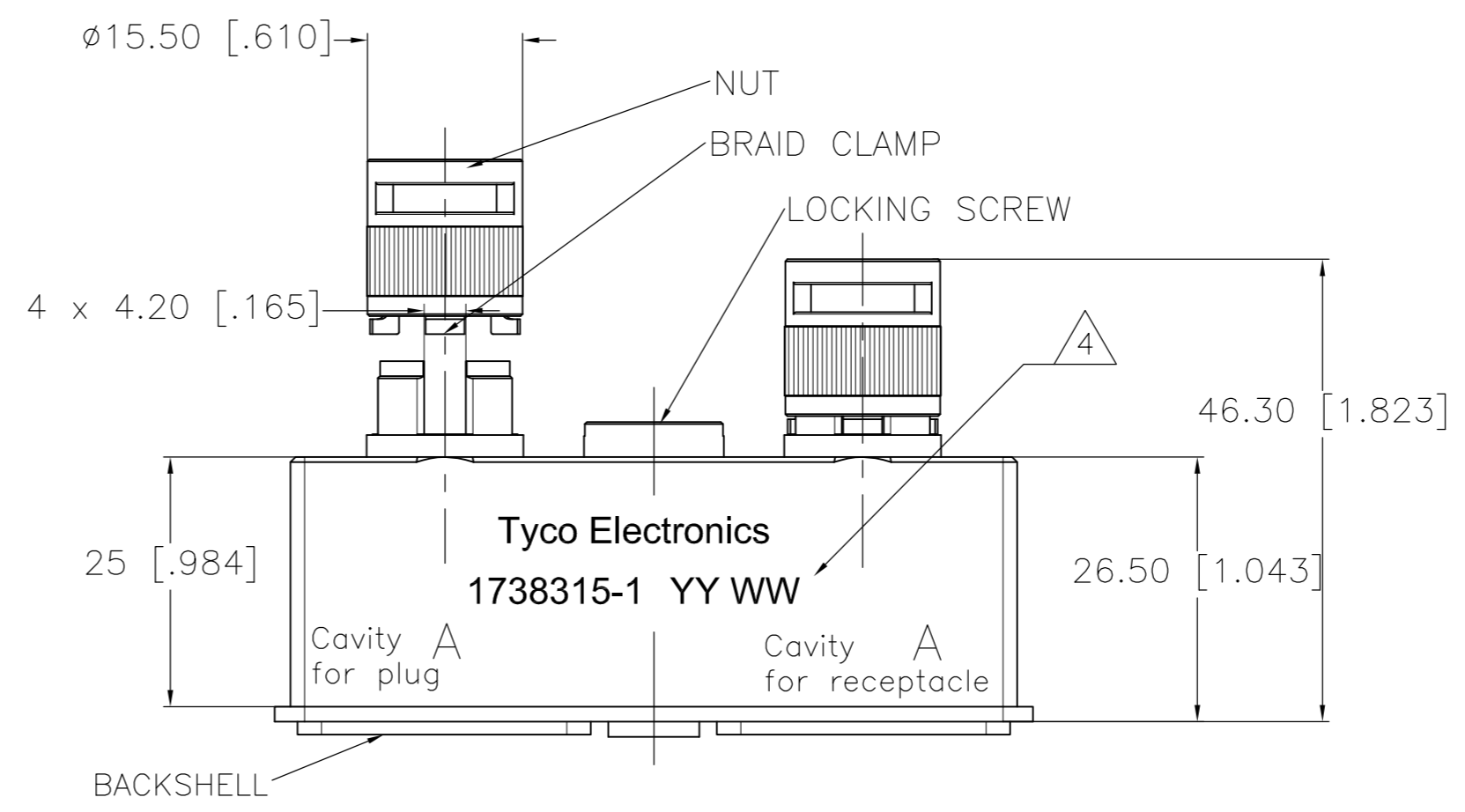
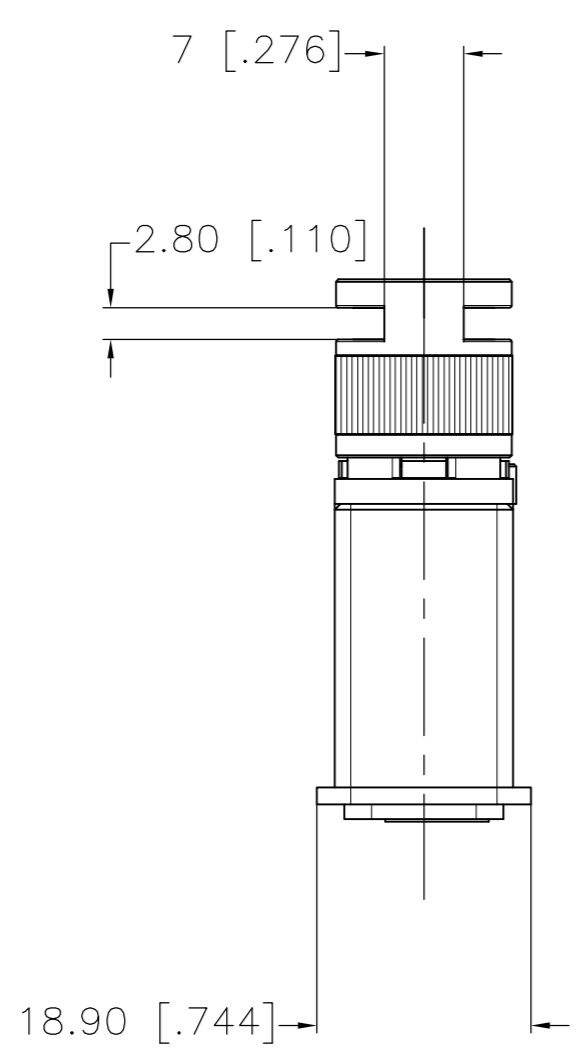


THIS DRAWING IS UNPUBLISHED. RELEASED FOR PUBLICATION  
 © COPYRIGHT BY TYCO ELECTRONICS CORPORATION. ALL INTERNATIONAL RIGHTS RESERVED.

LOC	DIST	REVISIONS			
P	LTR	DESCRIPTION	DATE	DWN	APVD
DF	00				
	0	CONVERTED RADIALL DWG TO TYCO ACAD DWG	09/03	—	—
	1	REVISED	22APR10	RF	JM



- 1 BACKSHELL AND NUT: ALUMINUM ALLOY  
BRAID CLAMP: COPPER ALLOY
- 2 BACKSHELL AND NUT: ELECTROLYTIC NICKEL  
OVER ELECTROLESS NICKEL  
BRAID CLAMP: ELECTROLESS NICKEL
- 3. TOOLS:  
TYCO ELECTRONICS P/N: 1738220-1 OR 1738221-1 TO FIX THE LOCKING SCREW
- 4 DATE CODE - YEAR & WEEK (YY-WW)
- 5. THIS PRODUCT IS SOLD BY TYCO ELECTRONICS  
UNDER A LICENSE FROM RADIALL SA.

THIS PRINT IS  
**PRELIMINARY**  
 UNQUALIFIED PRODUCT  
 CONTACT PRODUCT ENGINEERING  
 BEFORE USING THIS PRINT

1738315-1  
 PART NUMBER

THIS DRAWING IS A CONTROLLED DOCUMENT.		DWN R FLAIG	SEP03	Tyco Electronics Corporation Harrisburg, PA 17105-3608	
DIMENSIONS: mm [INCHES]		CHK J MOSIER	SEP03	NAME GPR-B2 BACKSHELL, SCREENED-TWISTED-PAIR CABLES	
TOLERANCES UNLESS OTHERWISE SPECIFIED:		APVD J MOSIER	SEP03	PRODUCT SPEC	
0 PLC ± -		APPLICATION SPEC		SIZE	
1 PLC ± -		WEIGHT		CAGE CODE	
2 PLC ± 0.02 [.008]		CUSTOMER DRAWING		DRAWING NO	
3 PLC ± -		SCALE 1:1		SHEET 1 OF 1	
4 PLC ± -		REV 1		RESTRICTED TO	
ANGLES ± -		SCALE 1:1		SHEET 1 OF 1	
FINISH		SCALE 1:1		SHEET 1 OF 1	
- 1		SCALE 1:1		SHEET 1 OF 1	
- 2		SCALE 1:1		SHEET 1 OF 1	