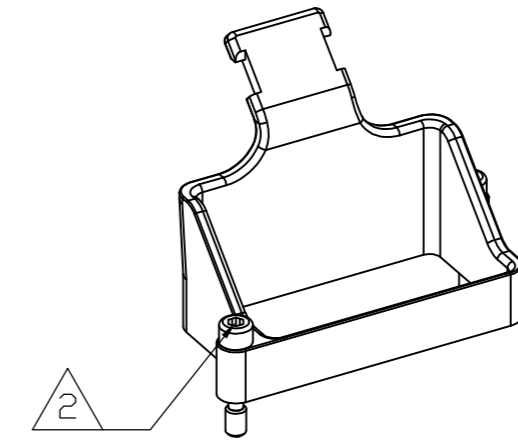
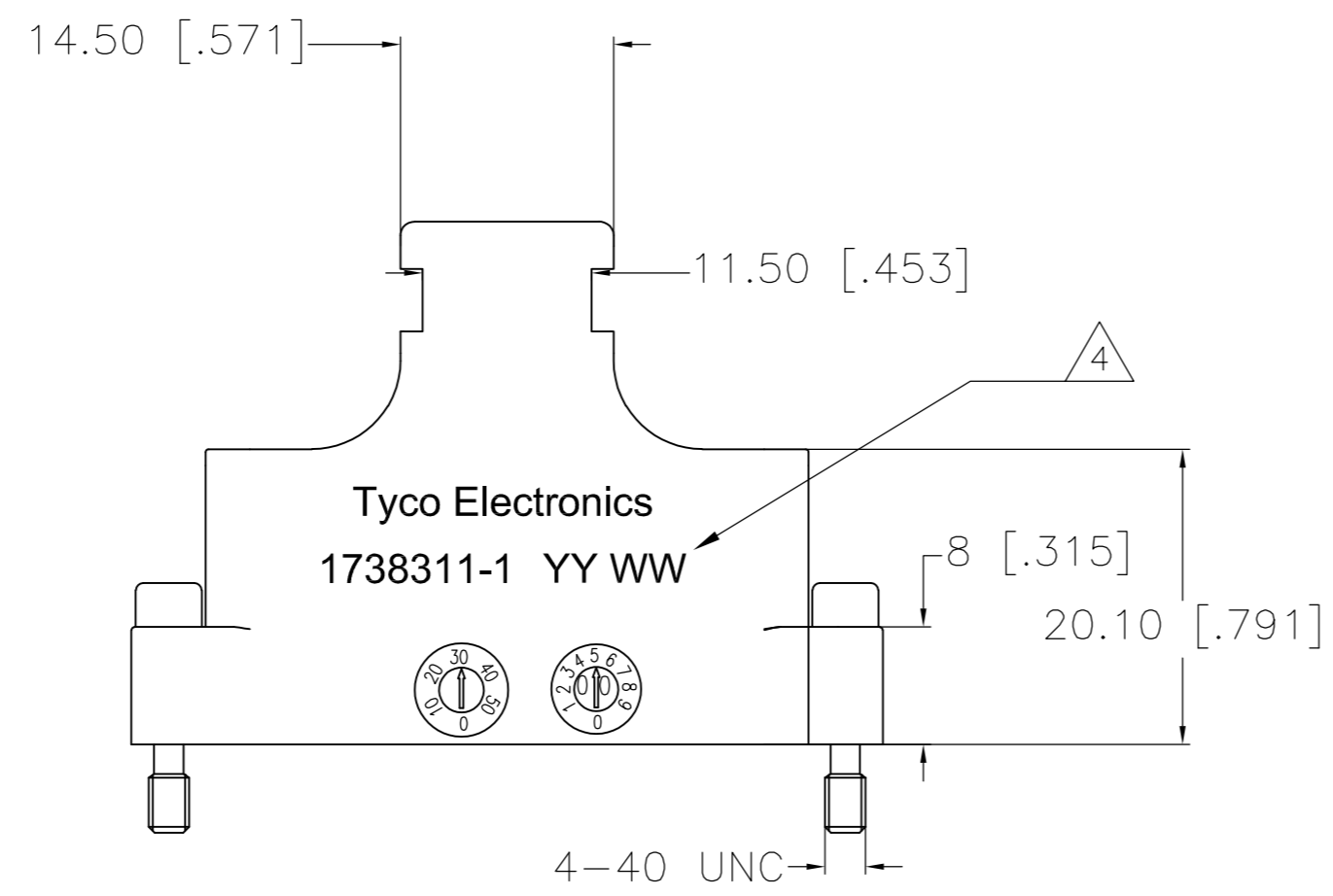
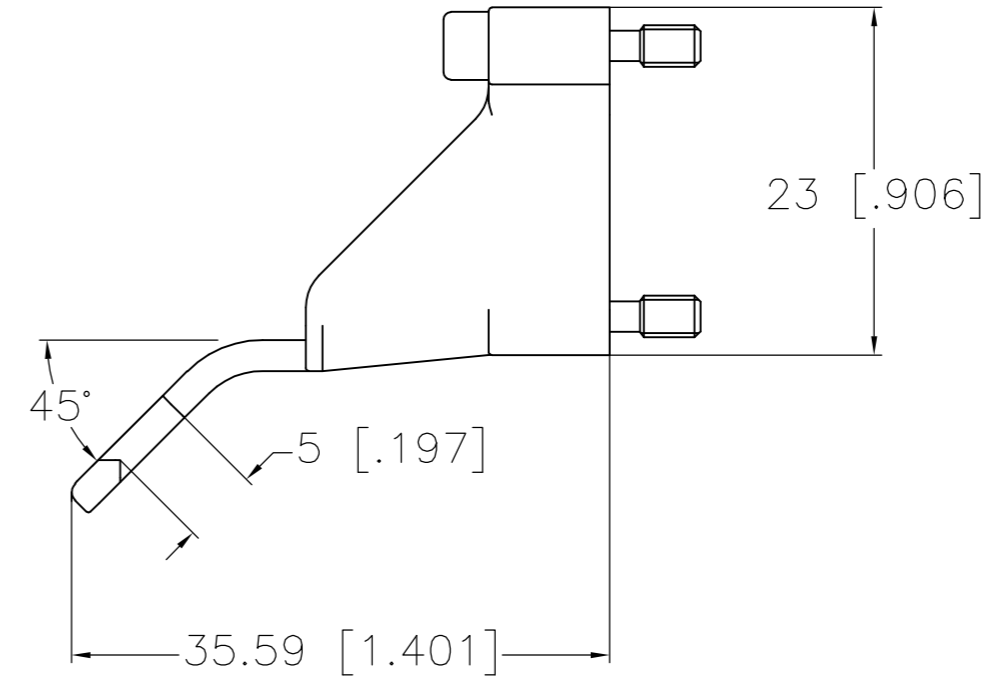
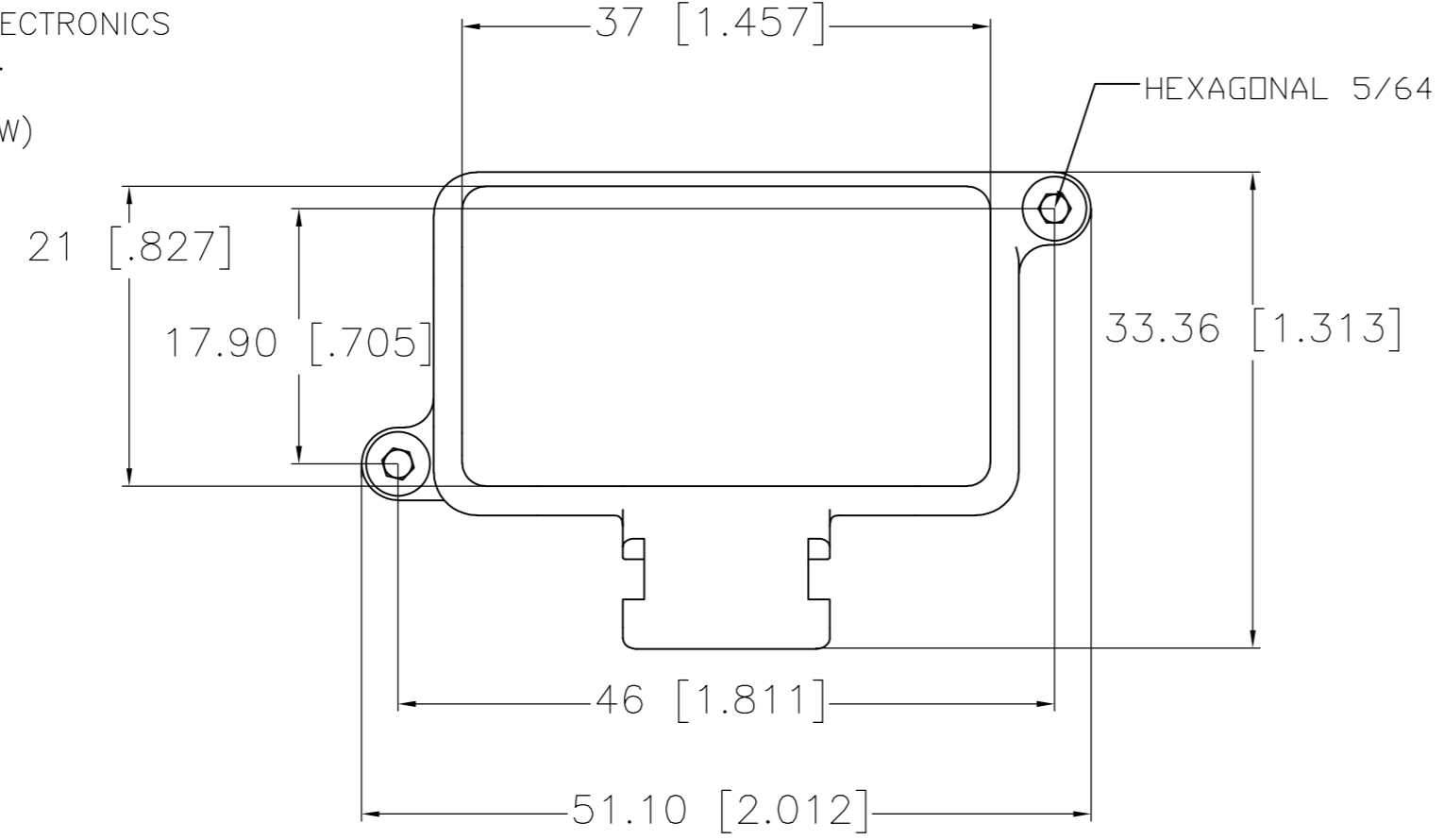


THIS DRAWING IS UNPUBLISHED. RELEASED FOR PUBLICATION
 © COPYRIGHT BY TYCO ELECTRONICS CORPORATION. ALL INTERNATIONAL RIGHTS RESERVED.

LOC		DIST		REVISIONS			
P	LTR	DESCRIPTION		DATE	DWN	APVD	
		0		CONVERTED RADIALL DWG TO TYCO ACAD DWG	10/03	--	--
		1		REVISED	22APR10	RF	JM

- 1 BACKSHELLS : HIGH GRADE THERMOPLASTIC
SCREWS : STAINLESS STEEL 303
- 2 SCREWS ARE CAPTIVE MOUNTED
LOCKING TORQUE FOR
4-40 SCREW = 0,8 Nm [7 in-lb]
- 3. THIS PRODUCT IS SOLD BY TYCO ELECTRONICS
UNDER A LICENSE FROM RADIALL SA.
- 4 DATE CODE - YEAR & WEEK (YY-WW)



THIS PRINT IS
PRELIMINARY
 UNQUALIFIED PRODUCT
 CONTACT PRODUCT ENGINEERING
 BEFORE USING THIS PRINT

1738311-1
 PART NUMBER

THIS DRAWING IS A CONTROLLED DOCUMENT.		DWN	R FLAIG	OCT03	Tyco Electronics Corporation Harrisburg, PA 17105-3608			
DIMENSIONS: mm		CHK	J MOSIER	OCT03				
TOLERANCES UNLESS OTHERWISE SPECIFIED:		APVD	J MOSIER	OCT03	NAME			
0 PLC ± -		PRODUCT SPEC		STRAIN RELIEF, 45-DEGREE EXIT, GPRB1				
1 PLC ± -		APPLICATION SPEC		-				
2 PLC ± 0.02 [.008]		-		-				
3 PLC ± -		-		-				
4 PLC ± -		-		-				
ANGLES ± -		-		-				
FINISH		WEIGHT		-				
-		-		-				
MATERIAL		CUSTOMER DRAWING		SIZE	CAGE CODE	DRAWING NO	RESTRICTED TO	
-		-		A2	00779	C=1738311	-	
-		-		SCALE	1:1	SHEET	1 OF 1	
-		-		REV		1		

1738311