

THIS DRAWING IS UNPUBLISHED. RELEASED FOR PUBLICATION
 © COPYRIGHT - By - ALL RIGHTS RESERVED.

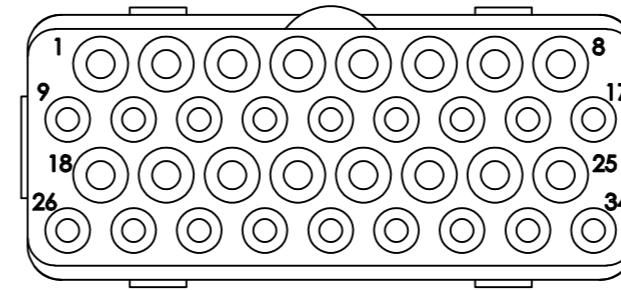
LOC		DIST		REVISIONS			
P	LTR	DESCRIPTION	DATE	DWN	APVD		
	A	REV PER ECO 11-024114	12-2-11	CT	MS		
	1	REVISED	22APR10	RF	JM		

1 FRONT & REAR INSULATORS: THERMOSET EPOXY PER ASTM D5948
 CONTACT RETENTION CLIPS: COPPER ALLOY PER ASTM B194

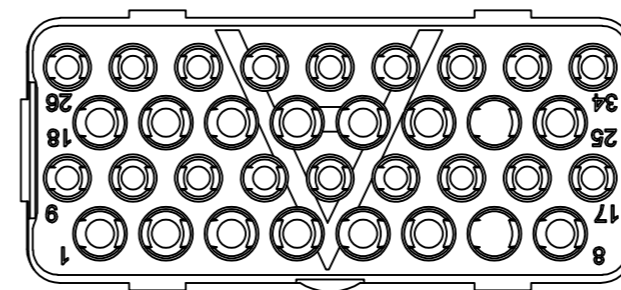
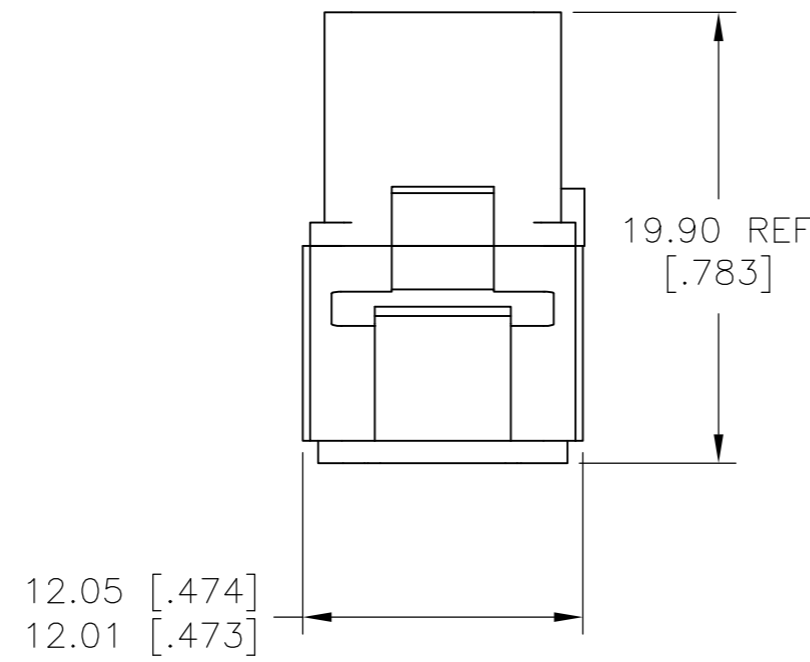
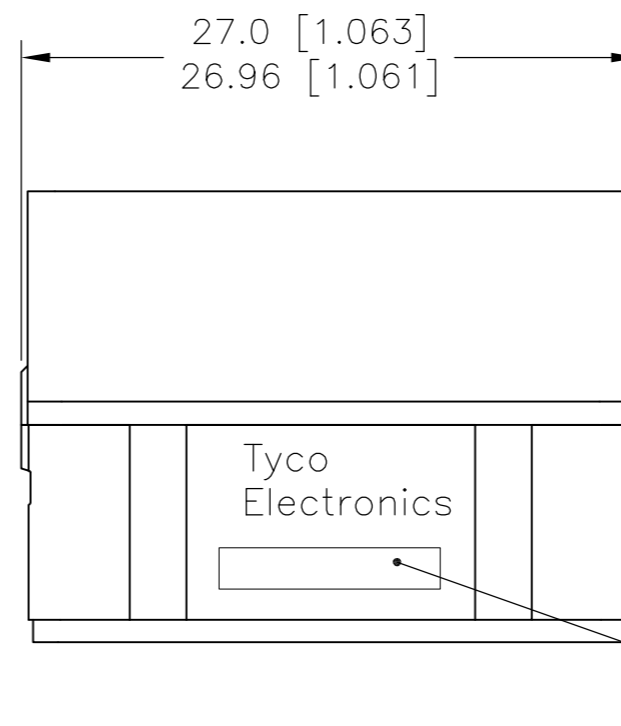
2 TE PART NO. AND DATE CODE: YEAR & WEEK (YY WW)

3. DESCRIPTIVE PART NUMBER: GPRBN34SA
 THIS INSERT CONTAINS:
 16 CAVITIES FOR SIZE 20 SOCKET CONTACTS
 18 CAVITIES FOR SIZE 22 SOCKET CONTACTS

4. THIS PRODUCT IS SOLD BY TYCO ELECTRONICS
 UNDER A LICENSE FROM RADIAL SA.



MATING FACE



1738180-1
 PART NUMBER

THIS DRAWING IS A CONTROLLED DOCUMENT.		DWN	NOV03	 TE Connectivity
		CHK	NOV03	
		APVD	NOV03	
		PRODUCT SPEC		
DIMENSIONS: mm [INCHES]		TOLERANCES UNLESS OTHERWISE SPECIFIED: 0 PLC ± - 1 PLC ± - 2 PLC ± 0.05 [.002] 3 PLC ± - 4 PLC ± - ANGLES ± -		NAME GPR-B SOCKET INSERT CLASS N CONTACT ARRANGEMENT 34 KEY A
MATERIAL - 1		FINISH -		SIZE A2
		WEIGHT -		CAGE CODE 00779
		CUSTOMER DRAWING		DRAWING NO 1738180
		SCALE 3:1		RESTRICTED TO -
		SHEET 1 of 1		REV A