

THIS DRAWING IS UNPUBLISHED. RELEASED FOR PUBLICATION  
 © COPYRIGHT BY TYCO ELECTRONICS CORPORATION. ALL INTERNATIONAL RIGHTS RESERVED.

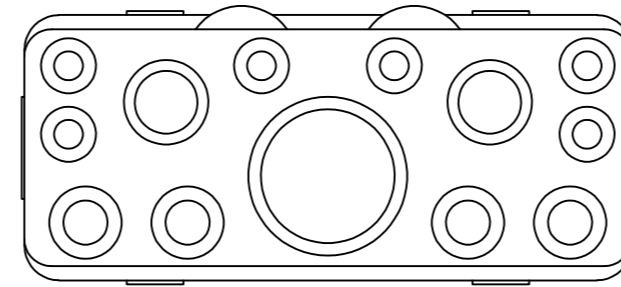
LOC	DIST	REVISIONS			
P	LTR	DESCRIPTION	DATE	DWN	APVD
DF	00	0	CONVERTED RADIALL DWG TO TYCO ACAD DWG	11/03	—
		1	REVISED	22APR10	RF JM

1 FRONT & REAR INSULATORS: THERMOSET EPOXY PER ASTM D5948  
 CONTACT RETENTION CLIPS: COPPER ALLOY PER ASTM B194

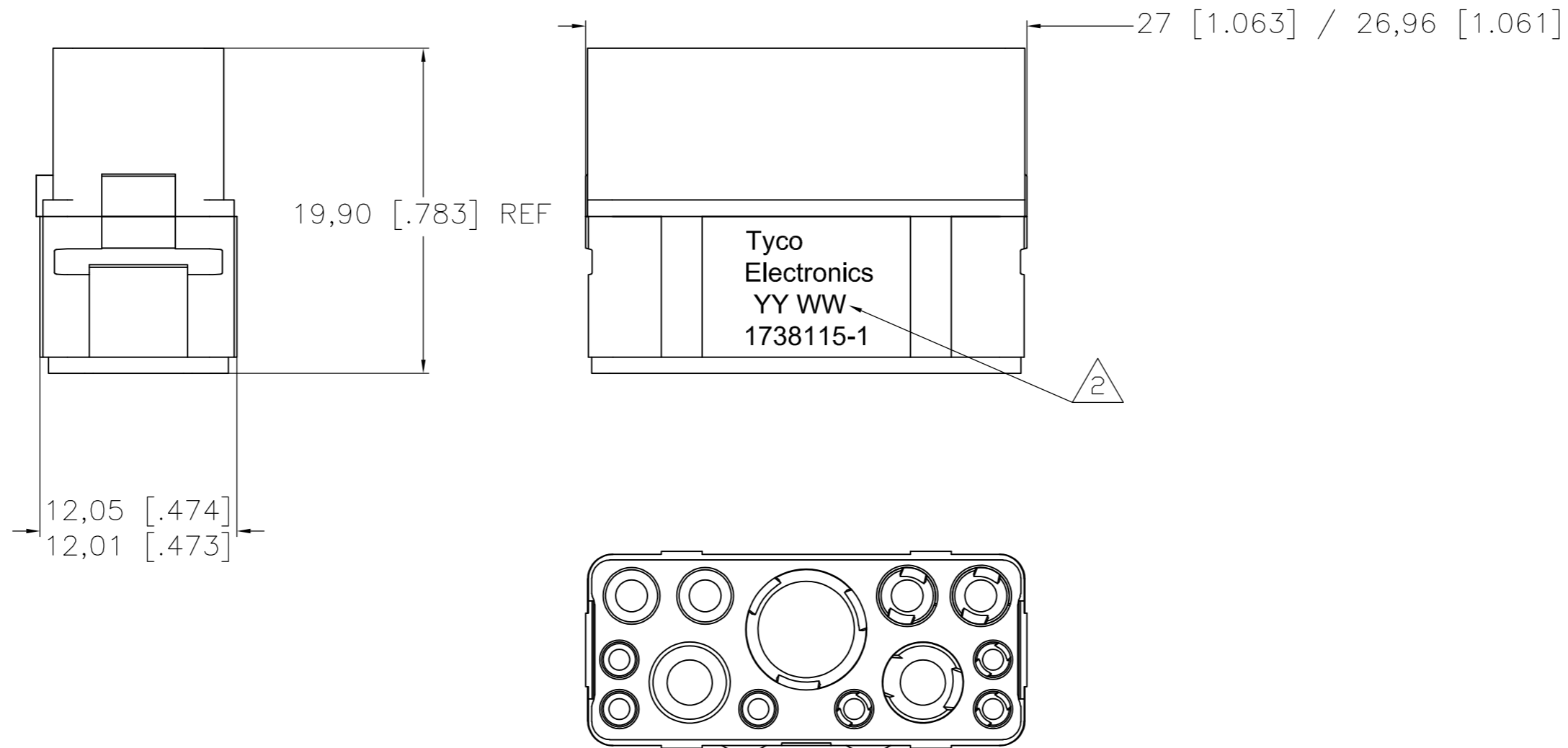
2 DATE CODE: YEAR & WEEK (YY WW)

3. DESCRIPTIVE PART NUMBER: GPRBN13C1SB  
 THIS INSERT CONTAINS:  
 6 CAVITIES FOR SIZE 20 SOCKET CONTACTS  
 4 CAVITIES FOR SIZE 16 SOCKET CONTACTS  
 2 CAVITIES FOR SIZE 12 SOCKET CONTACTS  
 1 CAVITY FOR SIZE 5 SOCKET CONTACTS

4. THIS PRODUCT IS SOLD BY TYCO ELECTRONICS  
 UNDER A LICENSE FROM RADIALL SA.



MATING FACE



THIS PRINT IS  
**PRELIMINARY**  
 UNQUALIFIED PRODUCT  
 CONTACT PRODUCT ENGINEERING  
 BEFORE USING THIS PRINT

1738115-1  
 PART NUMBER

THIS DRAWING IS A CONTROLLED DOCUMENT.		DWN	NOV03	 Tyco Electronics Corporation Harrisburg, PA 17105-3608
DIMENSIONS: mm [INCHES]		CHK	NOV03	
TOLERANCES UNLESS OTHERWISE SPECIFIED:		APVD	NOV03	
0 PLC ± - 1 PLC ± - 2 PLC ± 0.05 [.002] 3 PLC ± - 4 PLC ± - ANGLES ± -		PRODUCT SPEC		
MATERIAL		APPLICATION SPEC		NAME
- 1		WEIGHT		GPR-B SOCKET INSERT CLASS N CONTACT ARRANGEMENT 13C1 KEY B
		CUSTOMER DRAWING		SIZE
				CAGE CODE
				DRAWING NO
				RESTRICTED TO
				A2 00779 C=1738115
				SCALE
				1:1
				SHEET
				1 OF 1
				REV
				1