

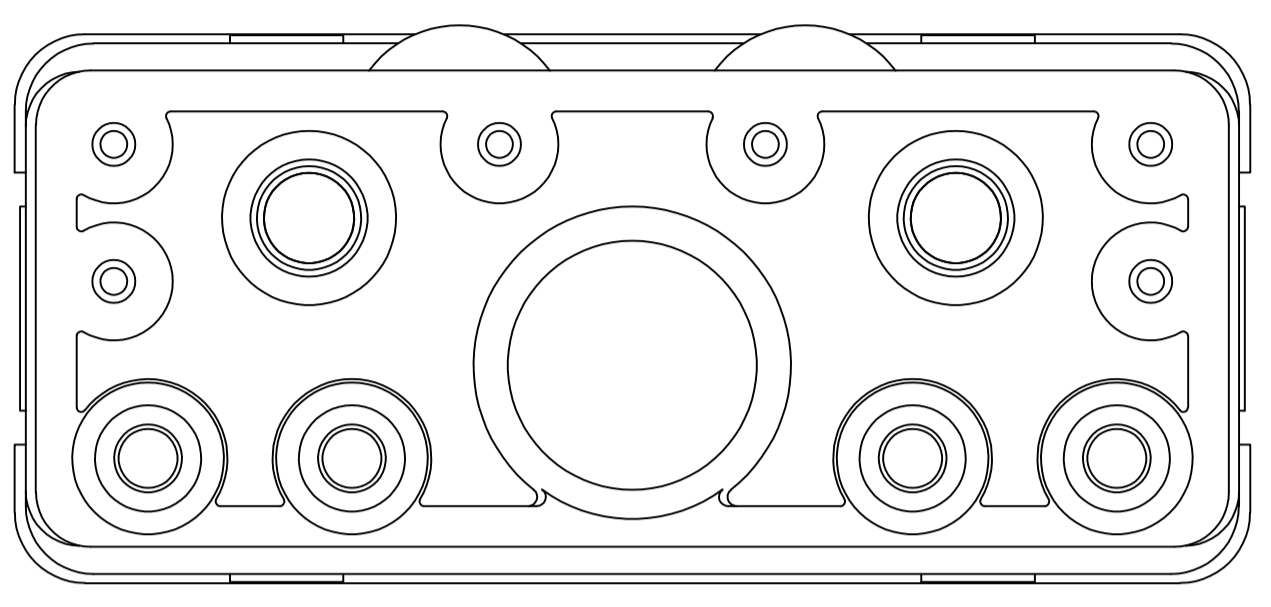
LOC		DIST		REVISIONS			
DF	00	REV	DATE	BY	CHK	APPV	
		1	11/03				
		1	22APR10	RF	JM		

1 INSERT : THERMOSET EPOXY PER ASTM D5948
 CONTACT RETENTION CLIPS: COPPER ALLOY PER ASTM B194
 REAR GROMMET & INTERFACIAL SEAL: FLUOROSILICONE ELASTOMER PER MIL-R-25988 B EXCEPT 4.6.6.1

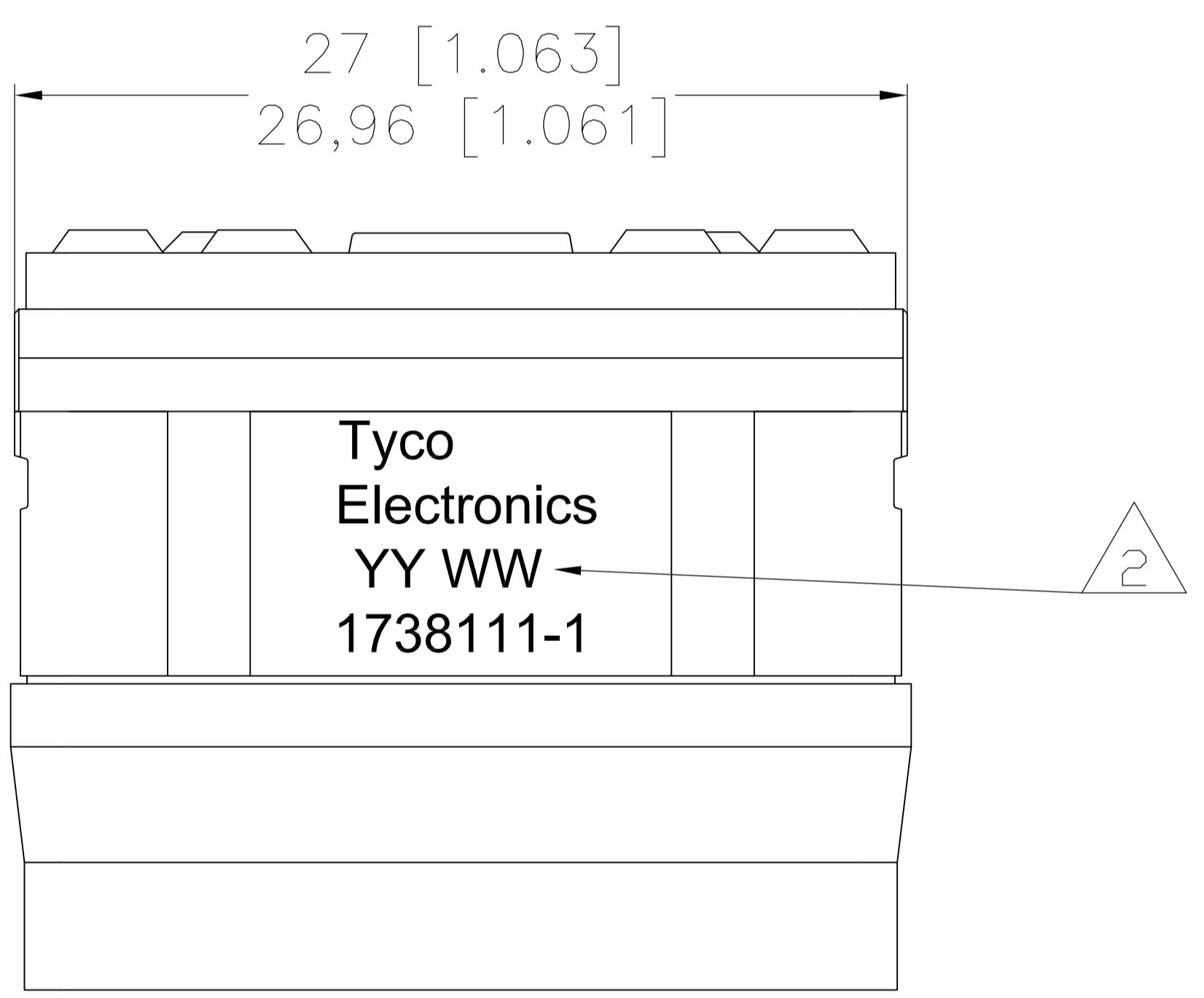
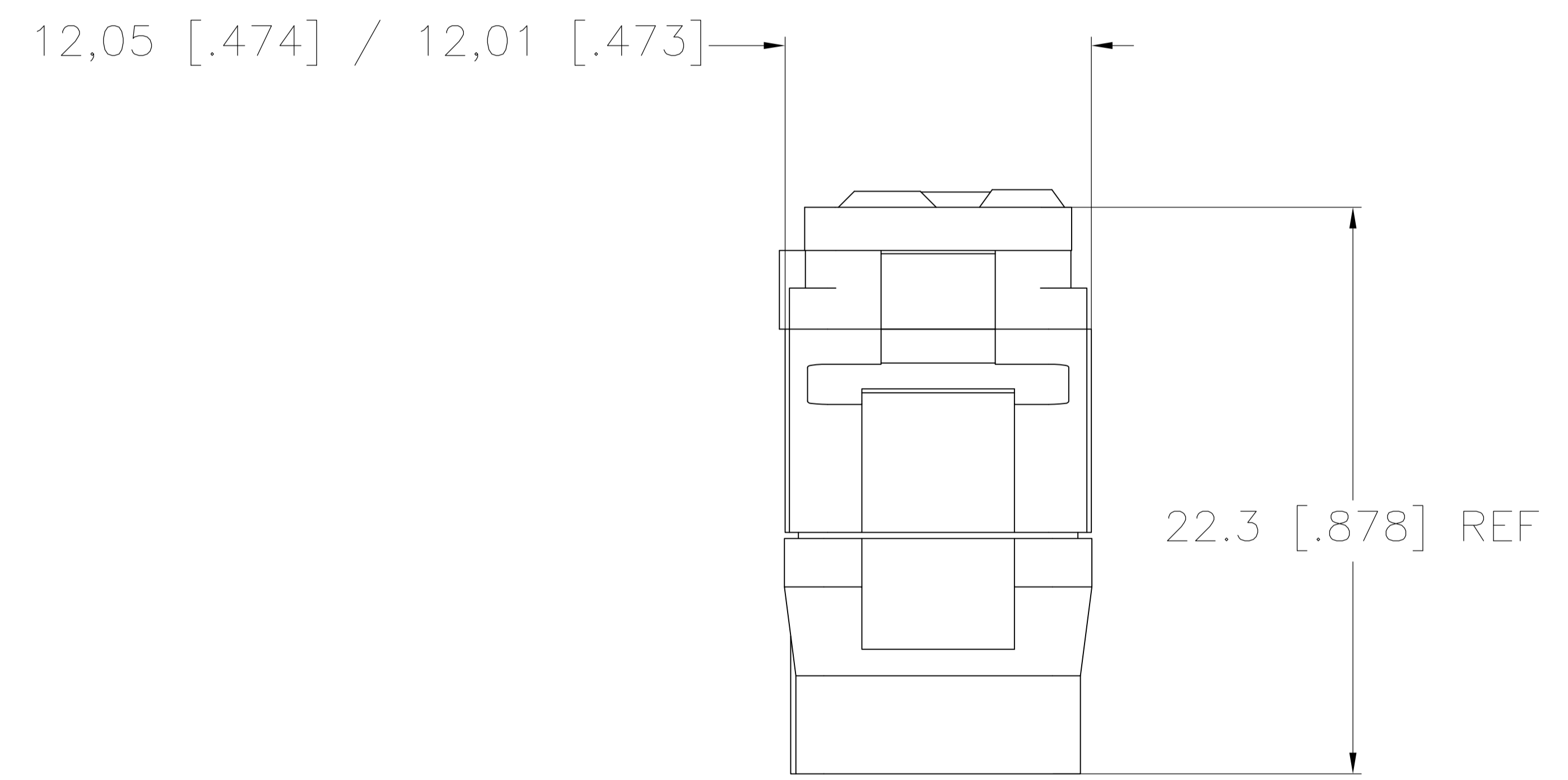
2 DATE CODE: YEAR & WEEK (YY WW)

3. DESCRIPTIVE PART NUMBER: GPRBE13C1PB
 THIS INSERT CONTAINS:
 2 CAVITIES FOR SIZE 12 PIN CONTACTS
 4 CAVITIES FOR SIZE 16 PIN CONTACTS
 6 CAVITIES FOR SIZE 20 PIN CONTACTS
 1 CAVITY FOR SIZE 5 PIN CONTACT

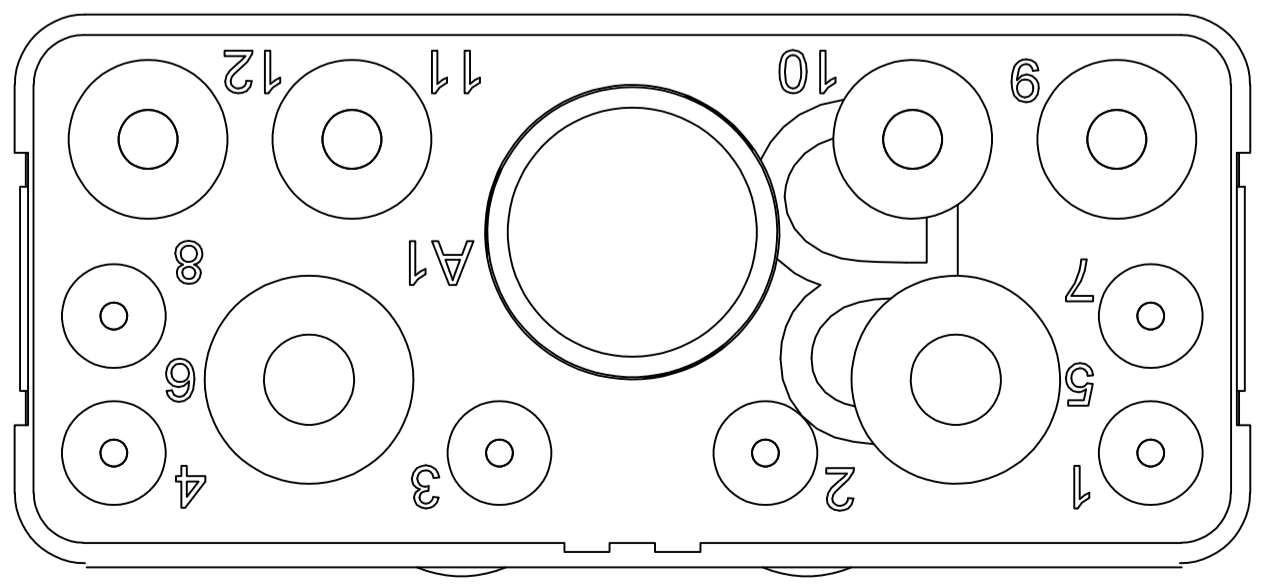
4. THIS PRODUCT IS SOLD BY TYCO ELECTRONICS
 UNDER A LICENSE FROM RADIAL SA.



MATING FACE



THIS PRINT IS
PRELIMINARY
 UNQUALIFIED PRODUCT
 CONTACT PRODUCT ENGINEERING
 BEFORE USING THIS PRINT



1738111-1
 PART NUMBER

THIS DRAWING IS A CONTROLLED DOCUMENT.		DIN R FLAIG NOV03	Tyco Electronics Corporation Harrisburg, PA 17105-3608	
DIMENSIONS: mm [INCHES]		CHK J MOSIER NOV03	APVD J MOSIER NOV03	
TOLERANCES UNLESS OTHERWISE SPECIFIED:		NAME GPR-B PIN INSERT		
0. PLC ± -		PRODUCT SPEC		
1. PLC ± -		APPLICATION SPEC		
2. PLC ± 0.05 [.002]		SIZE A1		
3. PLC ± -		CAGE CODE 00779		
4. PLC ± -		DRAWING NO. 1738111		
ANGLES ± -		RESTRICTED TO		
MATERIAL		WEIGHT		
FINISH		CUSTOMER DRAWING		
SCALE 2:1		SHEET 1 OF 1		
REV 1				