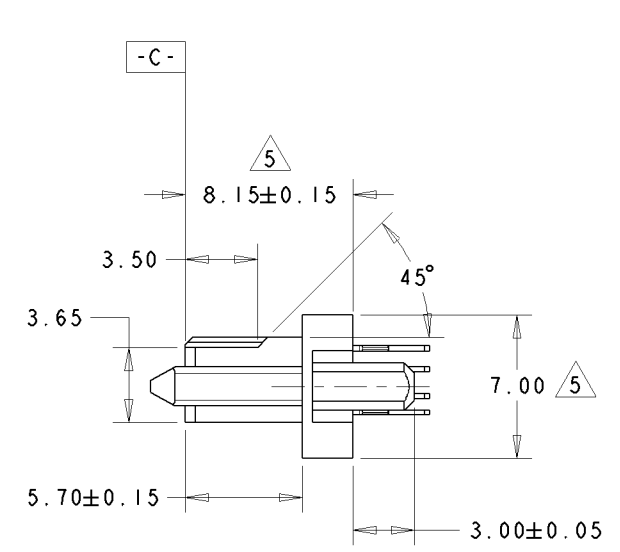
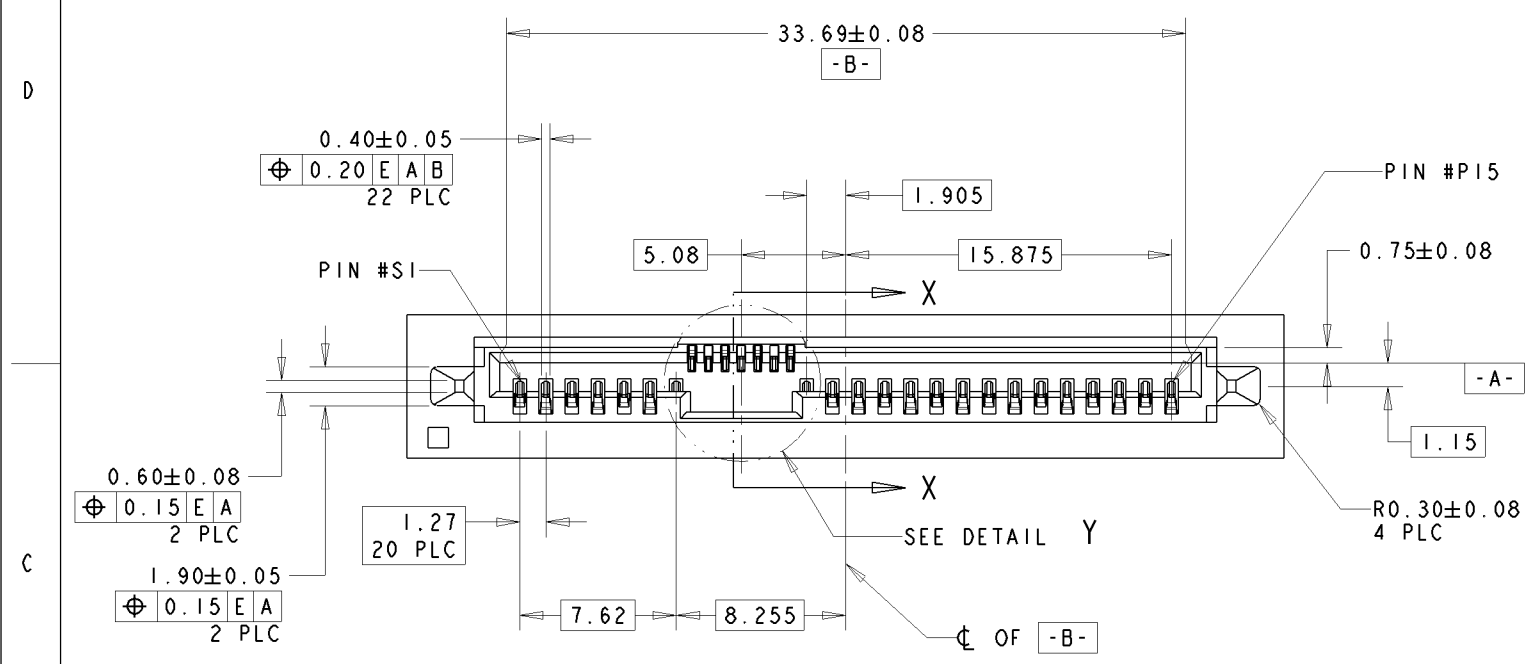
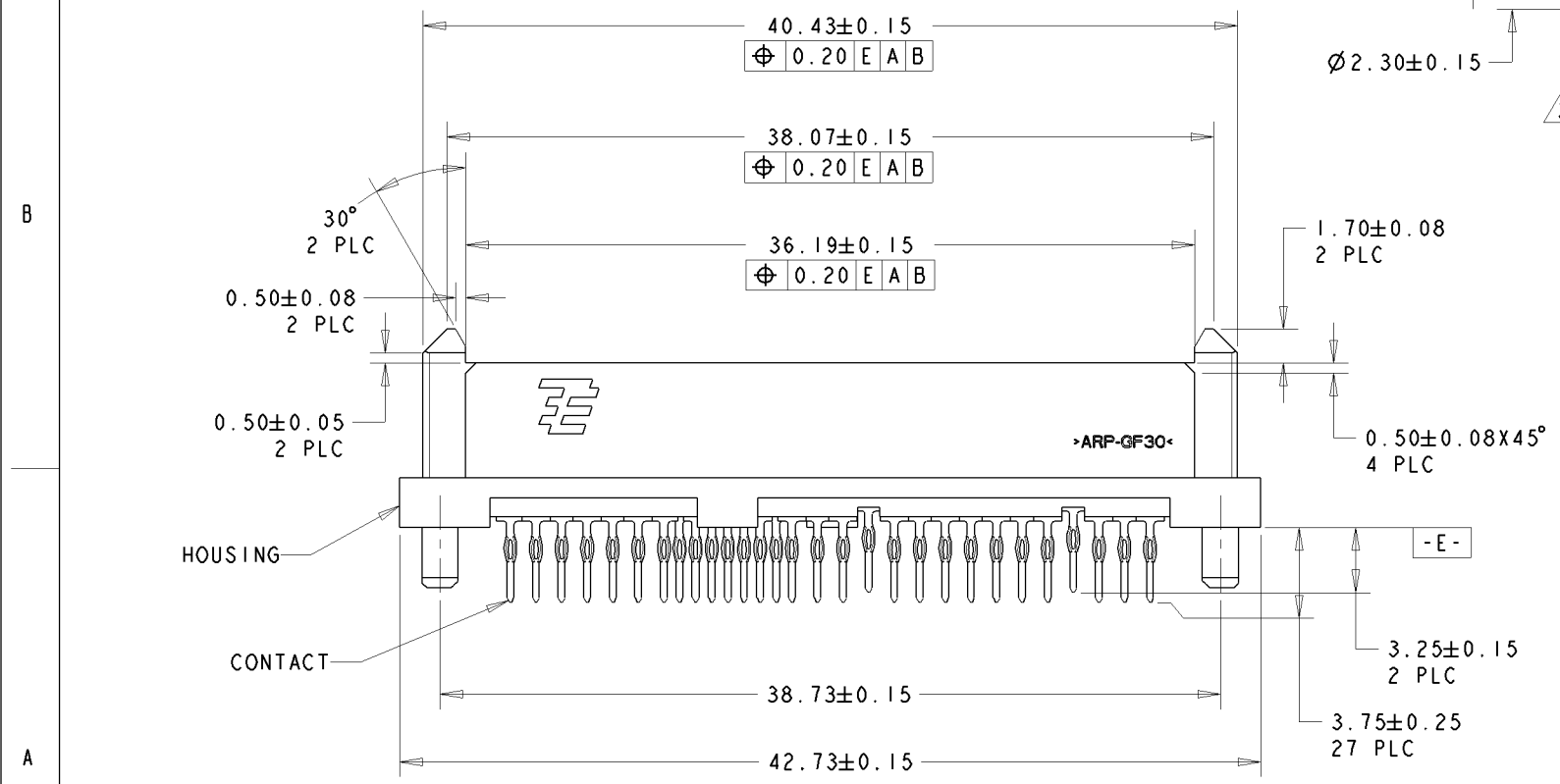
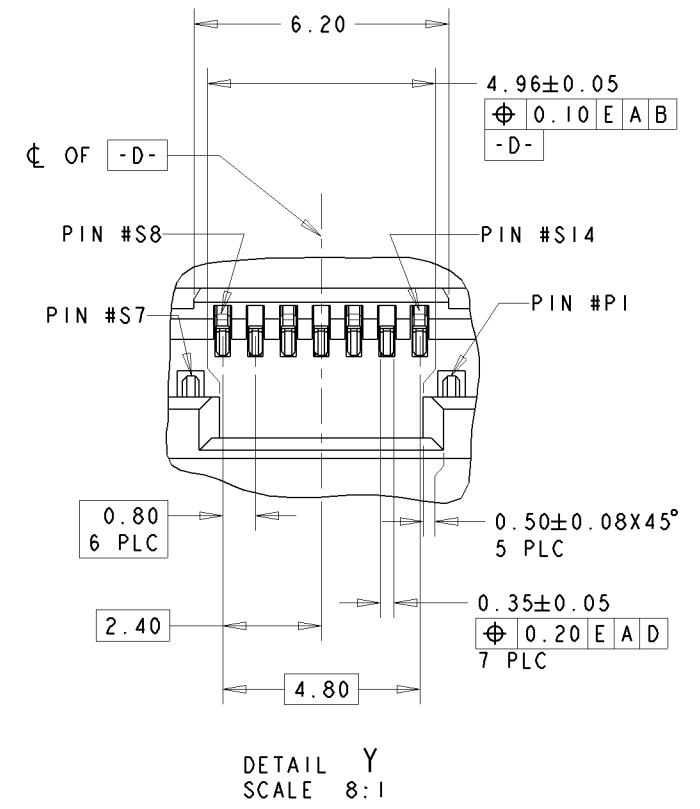
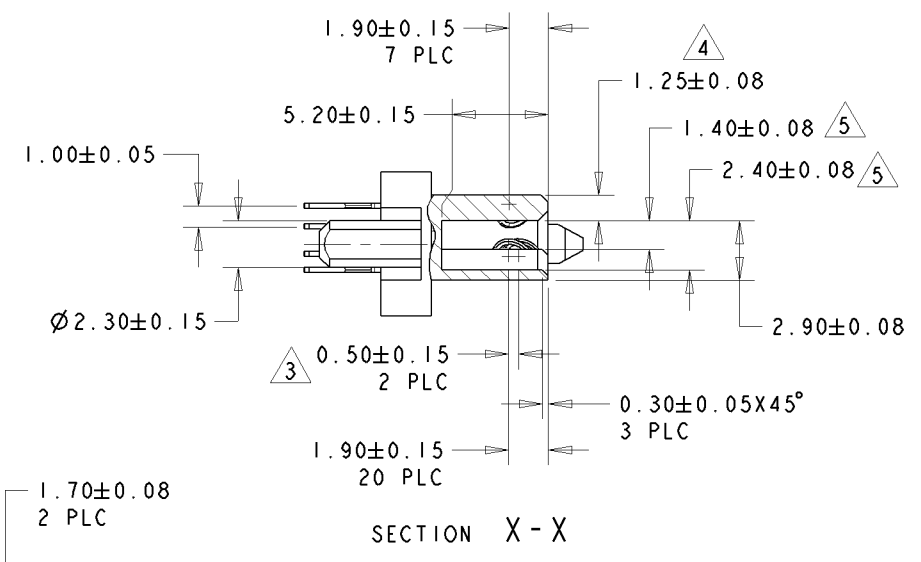


LOC		DIST		REVISIONS			
P	LTR	DESCRIPTION	DATE	DNW	APVD		
DY	-	B	REVISED ECR-10-012418	11JUN10	LSK	LSF	



- NOTES:
- 1 MATERIAL:
HOUSING: HIGH TEMP THERMOPLASTIC, UL94V-0,
COLOR: BLACK
CONTACT: COPPER ALLOY
BOARDLOCK: COPPER ALLOY
 - 2 FINISH:
CONTACT AREA: MIN 0.76um GOLD PLATING
SOLDERTAIL: MIN 2.54um MATTE TIN PLATING
UNDERPLATE: MIN 1.27um NICKEL PLATING
 - 3 PIN #P4 AND #P12 ONLY
 - 4 1.33 MAX MEASURED AT -C-
 - 5 CRITICAL TO FUNCTION (CTF) DIMENSION

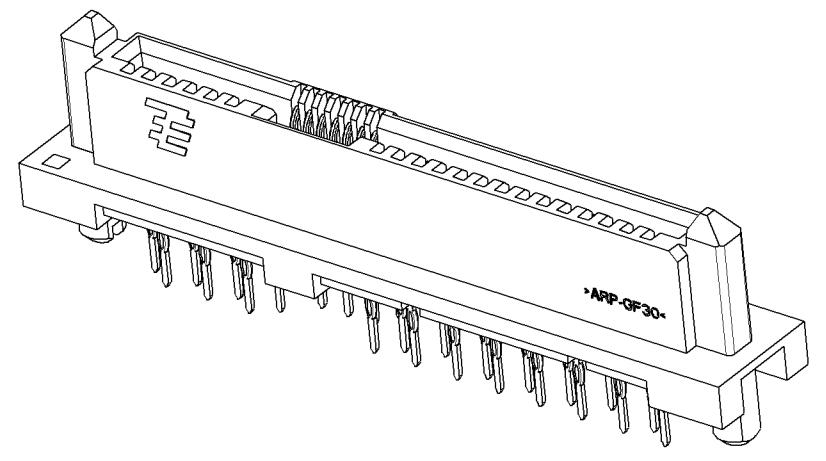
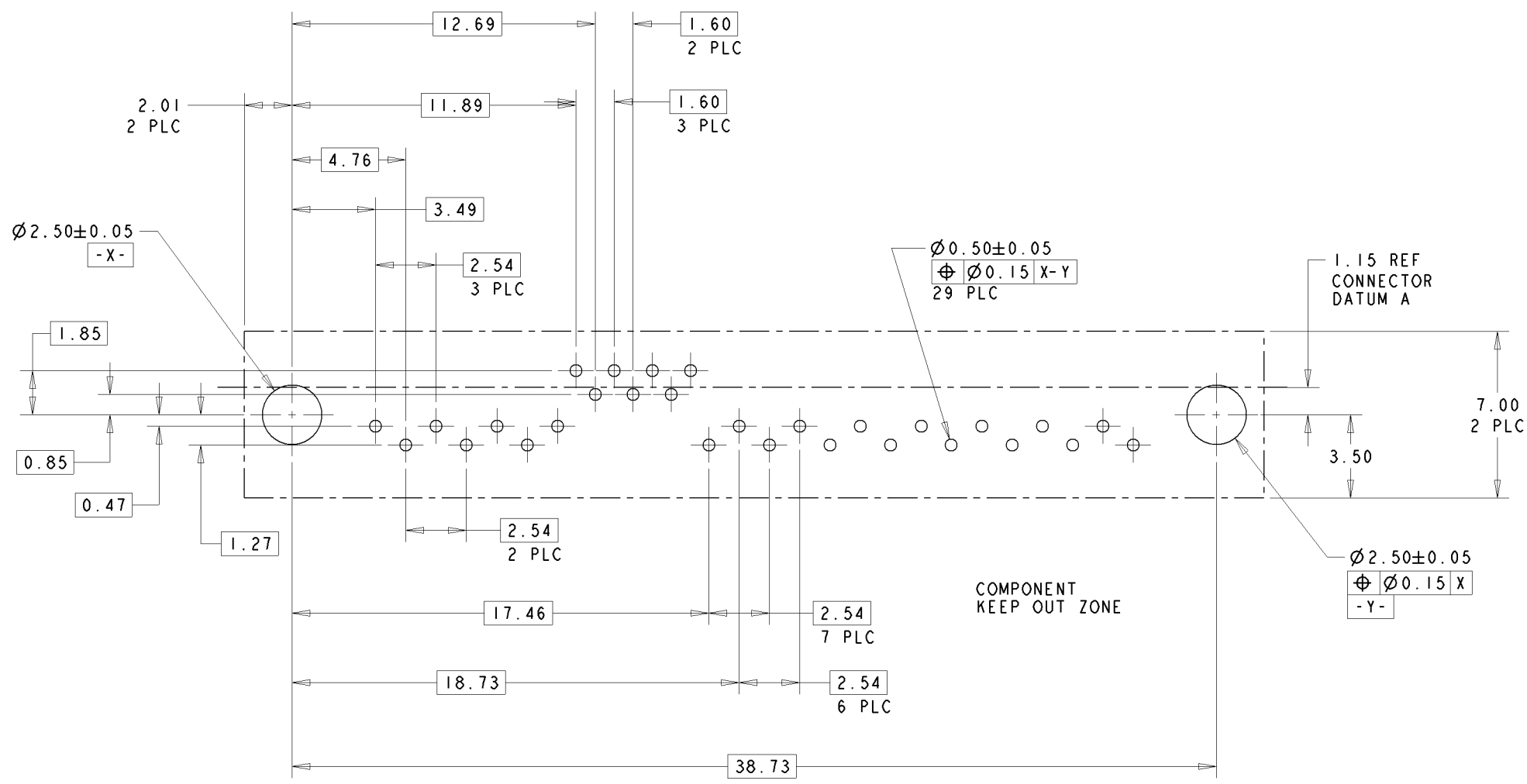


P/N: 1735234-1 AS SHOWN

THIS DRAWING IS A CONTROLLED DOCUMENT FOR AMP INCORPORATED. IT IS SUBJECT TO CHANGE AND THE CONTROLLING ENGINEERING ORGANIZATION SHOULD BE CONTACTED FOR THE LATEST REVISION.		DWN WYLEE 04APR2005 CHK SF LEONG 07SEP2005 APVD SF LEONG 07SEP2005 PRODUCT SPEC APPLICATION SPEC WEIGHT - CUSTOMER DRAWING	Tyco Electronics Singapore Pte. Ltd. NAME SAS BACKPLANE RECEPTACLE, VERTICAL, PRESS-FIT SIZE A2 CAGE CODE 00779 DRAWING NO C=1735234 SCALE 4:1 SHEET 1 OF 2 REV B
DIMENSIONS - mm 	TOLERANCES UNLESS OTHERWISE SPECIFIED: 0 PLC ± 1 PLC ± 2 PLC ±0.20 3 PLC ± 4 PLC ± ANGLES ±3° FINISH	1 2	

THIS DRAWING IS UNPUBLISHED. RELEASED FOR PUBLICATION .19
 BY AMP INCORPORATED. ALL RIGHTS RESERVED.

LOC	DIST	REVISIONS			
P	LTR	DESCRIPTION	DATE	DWN	APVD
DY	-	SEE SHEET 1	-	-	-



RECOMMENDED PCB LAYOUT
 SCALE 6:1

COMPONENT
 KEEP OUT ZONE

THIS DRAWING IS A CONTROLLED DOCUMENT FOR AMP INCORPORATED. IT IS SUBJECT TO CHANGE AND THE CONTROLLING ENGINEERING ORGANIZATION SHOULD BE CONTACTED FOR THE LATEST REVISION.		DWN WYLEE 04APR2005	Tyco Electronics Singapore Pte. Ltd.	
		CHK SF LEONG 07SEP2005	NAME SAS BACKPLANE RECEPTACLE, VERTICAL, PRESS-FIT	
		APVD SF LEONG 07SEP2005	SIZE A2	CAGE CODE 00779
DIMENSIONS - mm		PRODUCT SPEC -	DRAWING NO C=1735234	SCALE 4:1
TOLERANCES UNLESS OTHERWISE SPECIFIED: 0 PLC ± 1 PLC ± 2 PLC ±0.20 3 PLC ± 4 PLC ± ANGLES ±3° FINISH -		APPLICATION SPEC -	WEIGHT -	SHEET 2 OF 2
MATERIAL -		CUSTOMER DRAWING	REV B	