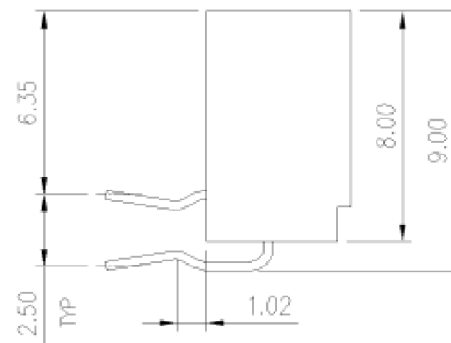
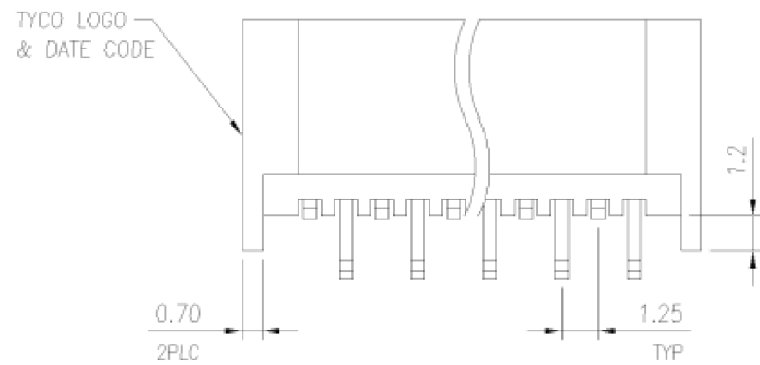
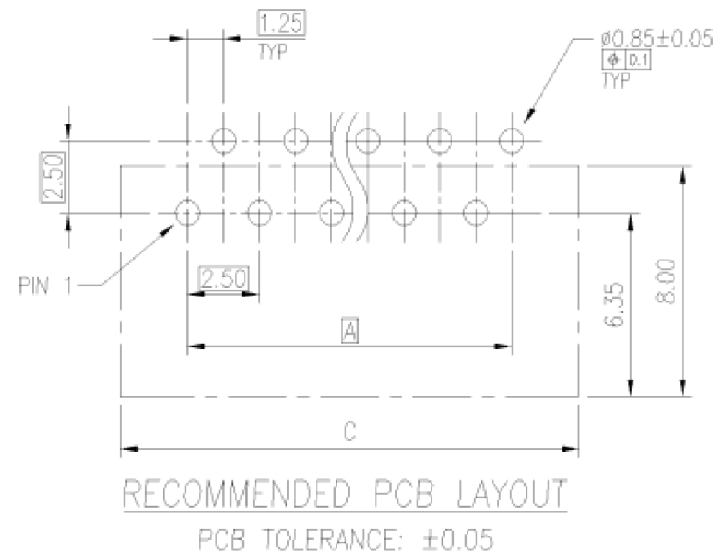
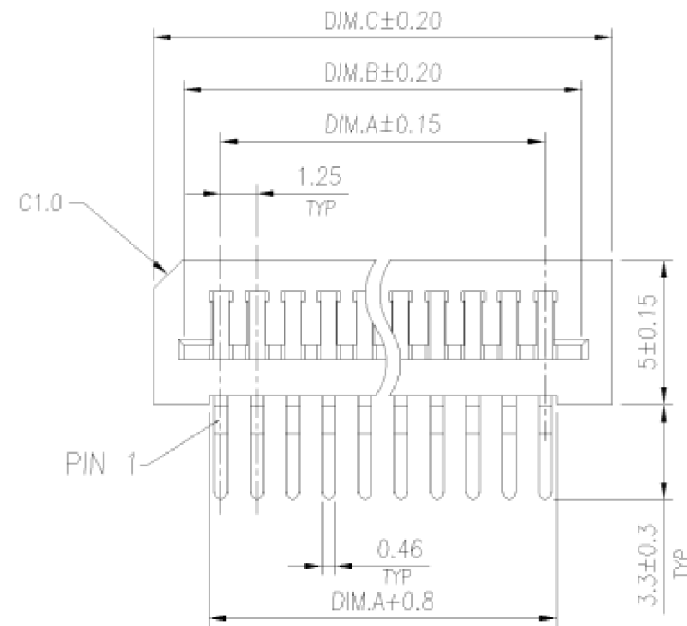


P	LTR	DESCRIPTION	DATE	DWN	APVD
	A2	OBSOLETED	10JAN2018	H.X	W.H



NOTES:

1. MATERIAL:
  - 1.1 HOUSING: THERMOPLASTIC, (PBT), UL94V-0; COLOR: BLACK.
  - 1.2 CONTACTS: PHOSPHOR BRONZE.
2. FINISH:
 

CONTACT:

100μ" MIN. BRIGHT TIN PLATING

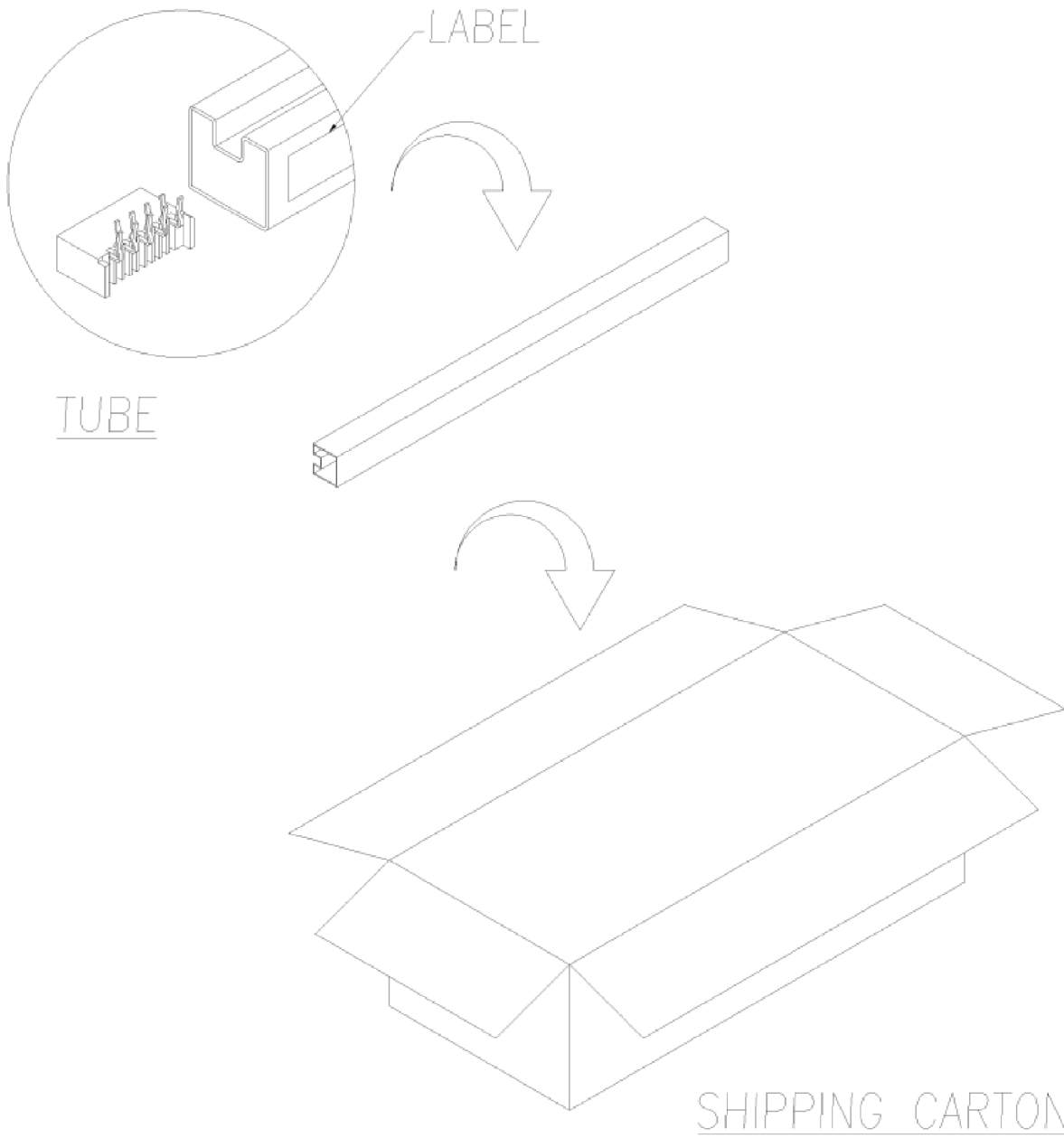
50μ" MIN. NICKEL UNDERPLATING OVERALL.
3. RECOMMENDED PCB THICKNESS: 1.57mm.
4. WAVE SOLDER CAPABLE TO 265°C

48.40	46.30	43.75	36	3-	-6
47.15	45.05	42.50	35	3-	-5
45.90	43.80	41.25	34	3-	-4
44.65	42.55	40.00	33	3-	-3
43.40	41.30	38.75	32	3-	-2
42.15	40.05	37.50	31	3-	-1
40.90	38.80	36.25	30	3-	-0
39.65	37.55	35.00	29	2-	-9
38.40	36.30	33.75	28	2-	-8
37.15	35.05	32.50	27	2-	-7
35.90	33.80	31.25	26	2-	-6
34.65	32.55	30.00	25	2-	-5
33.40	31.30	28.75	24	2-	-4
32.15	30.05	27.50	23	2-	-3
30.90	28.80	26.25	22	2-	-2
29.65	27.55	25.00	21	2-	-1
28.40	26.30	23.75	20	2-	-0
27.15	25.05	22.50	19	1-	-9
25.90	23.80	21.25	18	1-	-8
24.65	22.55	20.00	17	1-	-7
23.40	21.30	18.75	16	1-	-6
22.15	20.05	17.50	15	1-	-5
20.90	18.80	16.25	14	1-	-4
19.65	17.55	15.00	13	1-	-3
18.40	16.30	13.75	12	1-	-2
17.15	15.05	12.50	11	1-	-1
15.90	13.80	11.25	10	1-	-0
14.65	12.55	10.00	9		-9
13.40	11.30	8.75	8		-8
12.15	10.05	7.50	7		-7
10.90	8.80	6.25	6		-6
9.65	7.55	5.00	5		-5
8.40	6.30	3.75	4		1734803-4
DIM. C	DIM. B	DIM. A	POS. NO	PART NUMBER	

THIS DRAWING IS A CONTROLLED DOCUMENT.		DWN J. LEE 22-MAR-2006	TE Connectivity		
		CHK S. HOU 22-MAR-2006			
		APVD W.J. KE 22-MAR-2006	NAME		
DIMENSIONS: mm		TOLERANCES UNLESS OTHERWISE SPECIFIED: 0 PLC ± - 1 PLC ± 0.3 2 PLC ± 0.2 3 PLC ± - 4 PLC ± - ANGLES ± 3°		PRODUCT SPEC 501-57711	
		MATERIAL SEE NOTE		APPLICATION SPEC 108-57612	
		FINISH SEE NOTE		WEIGHT SHEET2	
CUSTOMER DRAWING			SIZE A3	CAGE CODE 00779	DRAWING NO C-1734803
			RESTRICTED TO -	SCALE 1:1	SHEET 1 OF 2
			REV A2		

REVISIONS

P	LTR	DESCRIPTION	DATE	DWN	APVD
-	-	SEE SHEET 1	-	-	-



NOTES:

- 1. MATERIAL:  
TUBE: PVC  
CARTON: CORRUGATED PAPER
- 2. DIMENSION:  
TUBE: L=636, W=15.2, H=10.6  
CARTON: L=650, W=225, H=180
- 3. QUANTITY:  
224 TUBES/SHIPPING BOX  
DETAIL QUANTITY: SEE TABLE

POS. NO	PACKAGING QUANTITY (PCS)		NET WEIGHT(Kg)	GROSS WEIGHT(Kg)
	PER TUBE	SHIPPING BOX		
4	73	16352	6.61	11.78
5	63	14112	6.60	11.77
6	55	12320	6.67	11.84
7	50	11200	6.66	11.83
8	45	10080	6.55	11.72
9	41	9184	6.53	11.70
10	38	8512	6.60	11.77
11	35	7840	6.57	11.74
12	33	7392	6.67	11.84
13	31	6944	6.57	11.74
14	29	6496	6.62	11.79
15	27	6048	6.55	11.72
16	26	5824	6.67	11.84
17	24	5376	6.50	11.67
18	23	5152	6.51	11.68
19	22	4928	6.59	11.76
20	21	4704	6.54	11.71

POS. NO	PACKAGING QUANTITY (PCS)		NET WEIGHT(Kg)	GROSS WEIGHT(Kg)
	PER TUBE	SHIPPING BOX		
21	20	4480	6.47	11.64
22	19	4256	6.37	11.54
23	19	4256	6.73	11.90
24	18	4032	6.59	11.76
25	17	3808	6.46	11.63
26	17	3808	6.71	11.88
27	16	3584	6.54	11.71
28	15	3360	6.34	11.51
29	15	3360	6.56	11.73
30	14	3136	6.32	11.49
31	14	3136	6.52	11.69
32	14	3136	6.72	11.89
33	13	2912	6.42	11.59
34	13	2912	6.61	11.78
35	13	2912	6.79	11.96
36	12	2688	6.44	11.61

THIS DRAWING IS A CONTROLLED DOCUMENT.		DWN J. LEE 22-MAR-2006	<b>STE</b> TE Connectivity														
DIMENSIONS: mm		CHK S. HOU 22-MAR-2006															
TOLERANCES UNLESS OTHERWISE SPECIFIED:		APVD W.J. KE 22-MAR-2006	NAME														
<table border="0"> <tr><td>0 PLC</td><td>± -</td></tr> <tr><td>1 PLC</td><td>± 0.3</td></tr> <tr><td>2 PLC</td><td>± 0.2</td></tr> <tr><td>3 PLC</td><td>± -</td></tr> <tr><td>4 PLC</td><td>± -</td></tr> <tr><td>ANGLES</td><td>± 3'</td></tr> </table>		0 PLC	± -	1 PLC	± 0.3	2 PLC	± 0.2	3 PLC	± -	4 PLC	± -	ANGLES	± 3'	PRODUCT SPEC 501-57711	FPC NON ZIF, RIGHT ANGLE 1.25 PITCH, DIP		
0 PLC	± -																
1 PLC	± 0.3																
2 PLC	± 0.2																
3 PLC	± -																
4 PLC	± -																
ANGLES	± 3'																
MATERIAL SEE NOTE		APPLICATION SPEC 108-57612	SIZE A3	CAGE CODE 00779	DRAWING NO C-1734803												
FINISH SEE NOTE		WEIGHT SHEET2	RESTRICTED TO -		SCALE 1:1												
CUSTOMER DRAWING			SHEET 2 OF 2	REV A2													