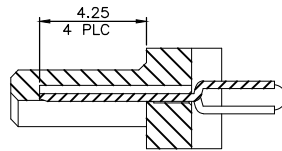
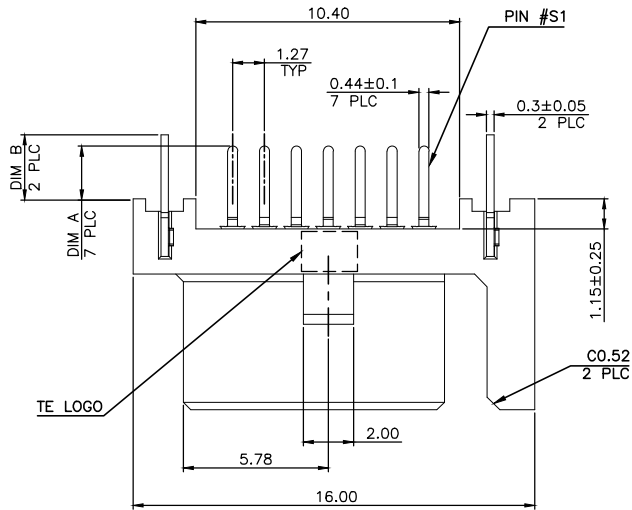
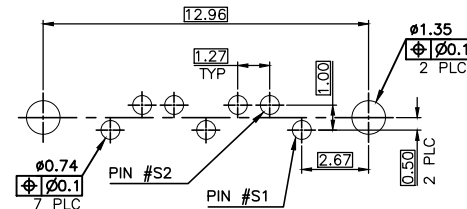


THIS DRAWING IS UNPUBLISHED. RELEASED FOR PUBLICATION AUG, 2006.
 © COPYRIGHT 2011 BY TYCO ELECTRONICS CORPORATION. ALL RIGHTS RESERVED.

LOC	DIST	REVISIONS					
		P	LTR	DESCRIPTION	DATE	DWN	APVD
DW	-	F4		REVISED PER ECR-17-007600	05SEP2018	NG	RK



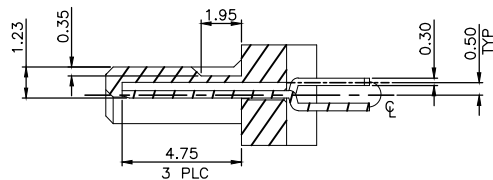
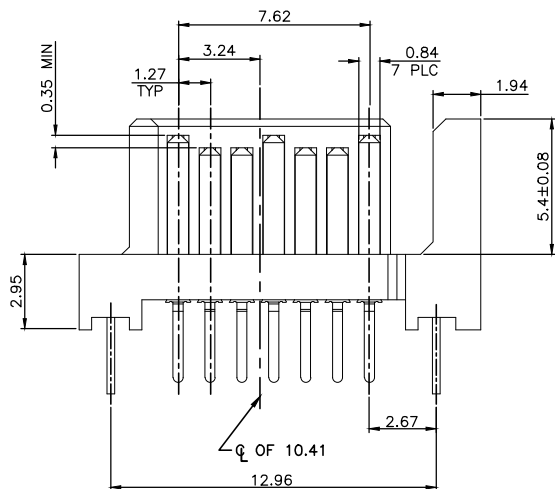
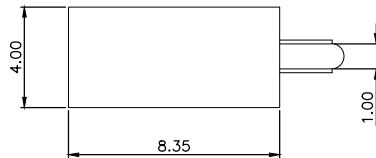
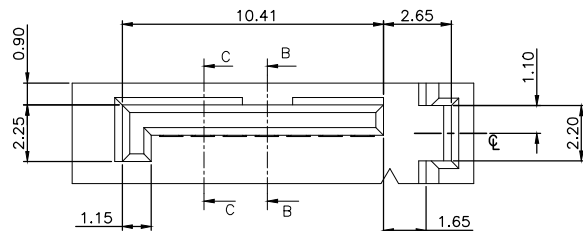
SECTION C-C



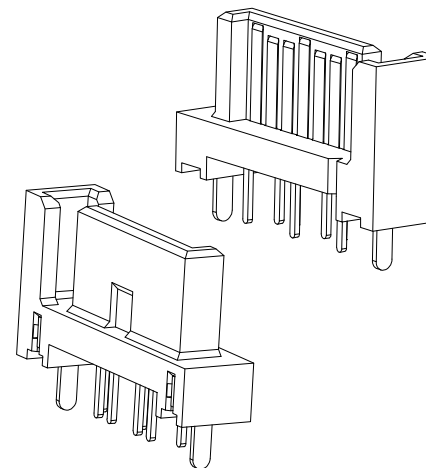
TOLERANCE: ±0.05
 RECOMMENDED PCB LAYOUT
 (TOP VIEW)

NOTE:

- MATERIAL:
 HOUSING: LCP WITH 30% GF, UL 94V-0, BLACK COLOR.
 OR
 PA6T WITH 30% GF, 33% REGRIND, UL 94V-0, BLUE OR WHITE COLOR.
 CONTACTS: BRASS.
 BOARDLOCKS: BRASS.
- FINISH:
 CONTACTS: (SEE TABLE) GOLD PLATED ON CONTACT AREA, 2.54µm [100µ"] MIN. MATTE-TIN ON SOLDER TAIL, WITH ENTIRE CONTACT UNDERPLATED 1.27µm [50µ"] MIN. NICKEL.
 BOARDLOCKS: 2.54µm [100µ"] MIN. MATTE-TIN OVER 1.27µm [50µ"] MIN. NICKEL.
- WAVE SOLDER CAPABLE TO 265°C PER TEST SPEC. 109-202, CONDITION B.



SECTION B-B

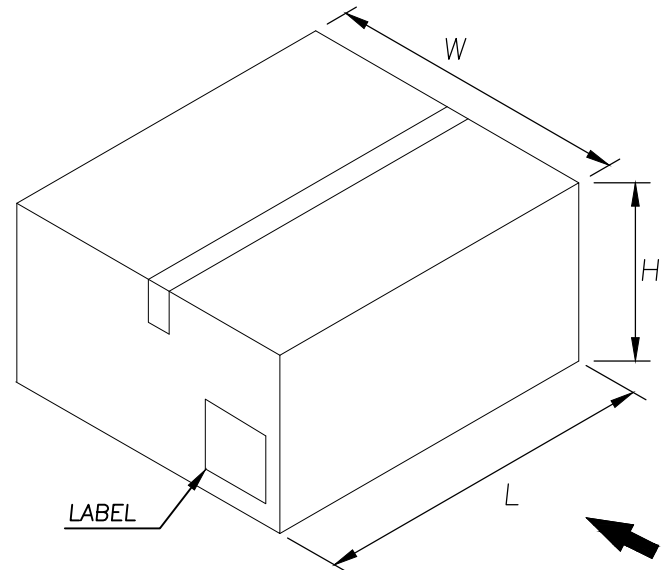


B	A	HOUSING COLOR	MIN. GOLD THICKNESS	PART NUMBER	STATUS
3.37	3.3	BLUE (293C)	0.381µm [15µ"]	1-1734699-5	OBSOLETE
		BLACK		1-1734699-4	
3.37	3	BLUE (293C)	0.381µm [15µ"]	1-1734699-3	OBSOLETE
		BLACK	0.381µm [15µ"]	1-1734699-2	
2.57	2.05	WHITE	0.762µm [30µ"]	1734699-9	OBSOLETE
			0.381µm [15µ"]	1734699-8	
			GOLD FLASH	1734699-7	OBSOLETE
		BLUE (293C)	0.762µm [30µ"]	1734699-6	OBSOLETE
			0.381µm [15µ"]	1734699-5	
			GOLD FLASH	1734699-4	OBSOLETE
BLACK	0.762µm [30µ"]	1734699-3	OBSOLETE		
	0.381µm [15µ"]	1734699-2	AVAILABLE		
		GOLD FLASH	1734699-1	OBSOLETE	

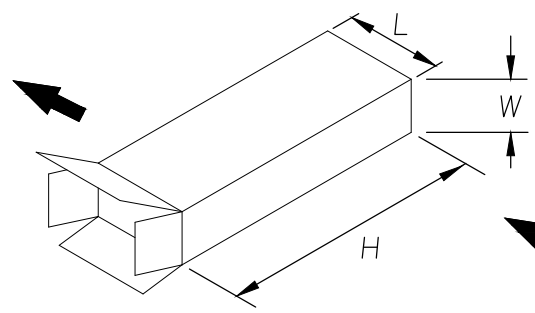
THIS DRAWING IS A CONTROLLED DOCUMENT.		DWN A. WU 06JUN2008			
DIMENSIONS: MM		CHK S. HOU 06JUN2008			
TOLERANCES UNLESS OTHERWISE SPECIFIED:		APVD W. KODAMA 06JUN2008	NAME		
0 PLC ±		PRODUCT SPEC	SERIAL ATA, 7 POS., PLUG, VERTICAL, A TYPE, DIP.		
1 PLC ±0.3		APPLICATION SPEC	108-57469		
2 PLC ±0.25		WEIGHT	SIZE	CAGE CODE	DRAWING NO
3 PLC ±		0.48 GRAMS	A3	00779	C=1734699
4 PLC ±		CUSTOMER DRAWING	RESTRICTED TO	-	
ANGLES ±3'		SCALE	-		
MATERIAL SEE NOTE	FINISH SEE NOTE	SHEET		1 OF 2	
		REV		F4	

THIS DRAWING IS UNPUBLISHED. RELEASED FOR PUBLICATION AUG ,2006.
 © COPYRIGHT 2011 BY TYCO ELECTRONICS CORPORATION. ALL RIGHTS RESERVED.

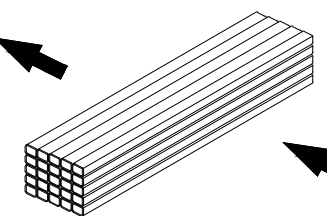
LOC	DIST	REVISIONS					
DW		P	LTR	DESCRIPTION	DATE	DWN	APVD
				SEE SHEET 1.			



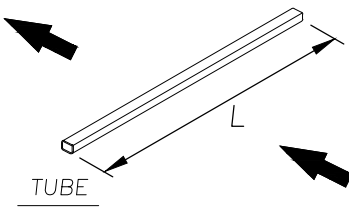
SHIPPING BOX



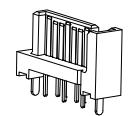
INNER CARTON



SHEAF



TUBE



NOTE:

- DIMENSION:
 TUBE: L= 340, W= 12.65, H= 5.8
 INNER CARTON: L= 140, W= 77, H= 355
 SHIPPING BOX: L= 372, W= 293, H= 172
- QUANTITY:
 20 PCS/TUBE
 50 TUBES/SHEAF
 2 SHEAFS/INNER CARTON
 4 INNER CARTONS/SHIPPING BOX
 8000 PCS/SHIPPING BOX
- WEIGHT:
 NET WEIGHT: 7.5 KG
 GROSS WEIGHT: 8.5 KG

THIS DRAWING IS A CONTROLLED DOCUMENT.		DWN				
		CHK				
DIMENSIONS: MM		APVD	NAME			
		PRODUCT SPEC	SERIAL ATA, 7 POS., PLUG, VERTICAL, A TYPE, DIP.			
		APPLICATION SPEC				
MATERIAL	TOLERANCES UNLESS OTHERWISE SPECIFIED:	WEIGHT	SIZE	CAGE CODE	DRAWING NO	RESTRICTED TO
	0 PLC ± - 1 PLC ± - 2 PLC ± - 3 PLC ± - 4 PLC ± - ANGLES ± -		A3	00779	C=1734699	
	FINISH	CUSTOMER DRAWING	SCALE	SHEET	2 OF 2	REV F4