

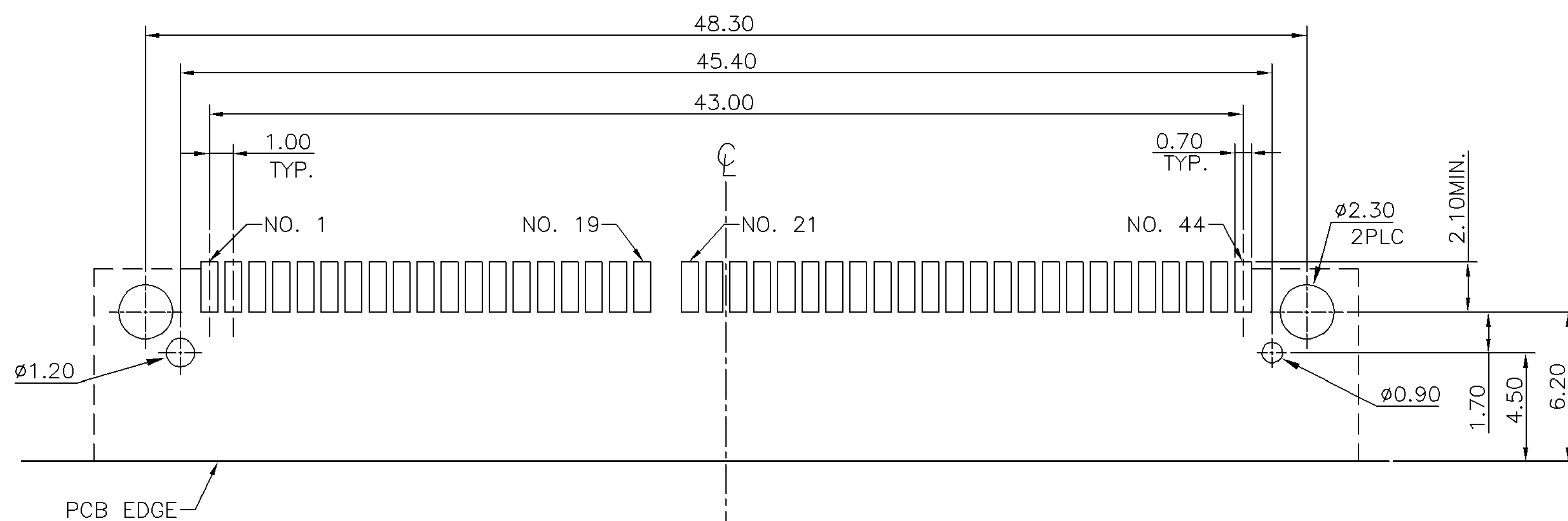
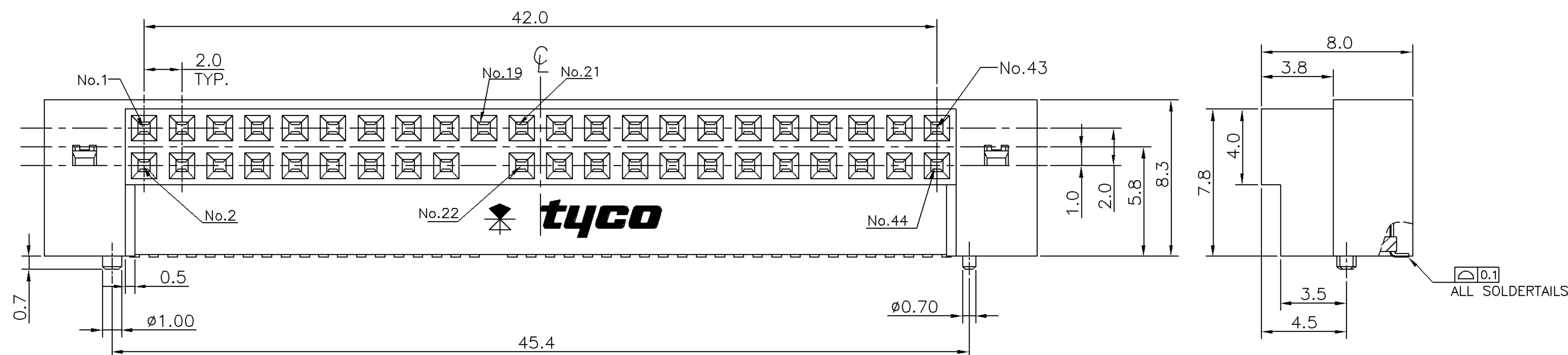
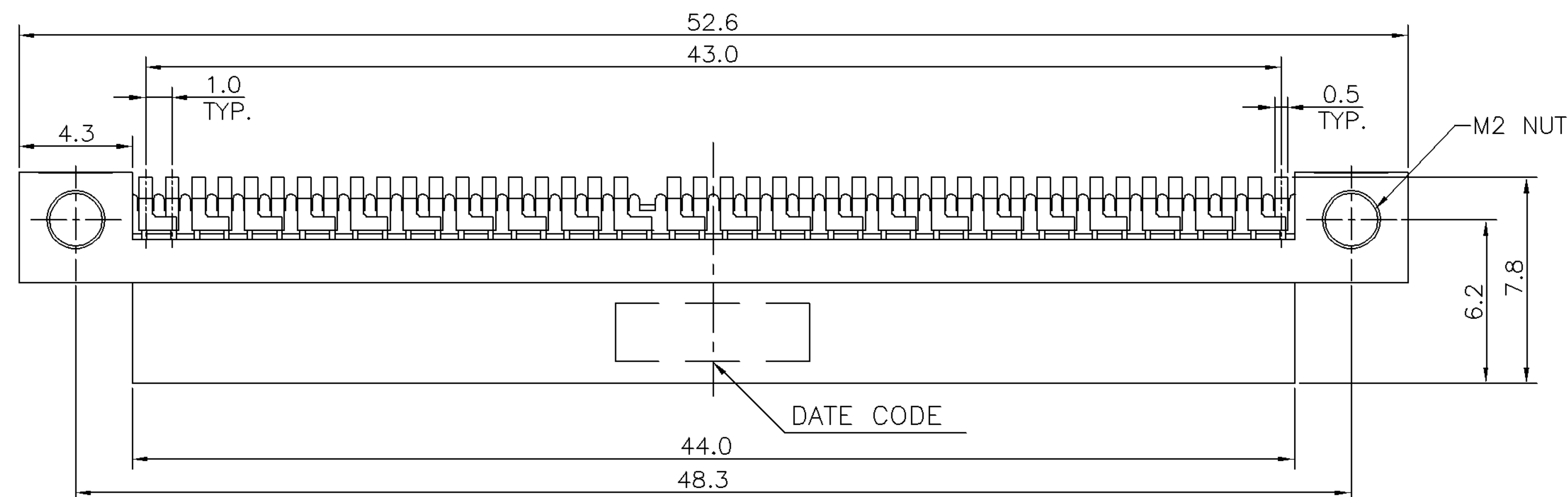
NUMBER C-1734653

METRIC 3RD ANGLE PROJECTION

THIS INFORMATION IS CONFIDENTIAL AND IS DISCLOSED TO YOU ON CONDITION THAT NO FURTHER DISCLOSURE IS MADE BY YOU TO OTHER THAN AMP PERSONNEL WITHOUT WRITTEN AUTHORIZATION FROM AMP (TAIWAN) LTD. DIMENSIONS IN MILLIMETERS. DO NOT SCALE PRINT.

PRINT DIST DW

- NOTES:
- MATERIAL:
 - HOUSING: THERMOPLASTIC, (LCP), UL94V-0; COLOR:BLACK.
 - CONTACTS: PHOSPHOR BRONZE
 - NUT: SUS 430
 - FINISH:
 - CONTACT:
 - 8μ" MIN. GOLD PLATING ON CONTACT AREA.
 - 80μ" MIN. MATTE TIN PLATING ON SOLDER TAILS,
 - 50μ" MIN. NICKEL UNDERPLATING OVERALL.
 - DESTRUCTION TORQUE OF SCREW: 4Kgf-cm MIN.
 - RECOMMENDED TIGHTENING TORQUE: 1.5~2Kgf-cm
 - RECOMMENDED PCB THICKNESS : 1.2mm
 - REFLOW SOLDER CAPABLE TO 260°C PER TYCO SPEC. 109-201, CONDITION B.
 - SPECIFICATIONS:
 - CURRENT RATING:1A/1CONTACT
 - VOLTAGE RATING:200VAC
 - TEMPERATURE RATING:-40°C~105°C
 - CONTACT RESISTANCE:30 MILLIOHM MAX.
 - DIELECTRIC WITHSTANDING VOLTAGE:650VAC 1 MINUTE.
 - INSULATION RESISTANCE:1000 MEGOHMS MIN.



RECOMMENDED PCB LAYOUT
TOLERANCE:±0.05

4-1734653-3
PART NUMBER

A	ADDED P/N: 4-6	ECR-06-013972	SH JW	13JUN 2006
O	FIRST RELEASED	--	SH JW	26AUG 2005
LTR	REVISION RECORD	ECN	DWN CHK	DATE

TOLERANCES UNLESS OTHERWISE SPECIFIED: 0 PLC ± 1 PLC ±0.3 2 PLC ±0.2 3 PLC ±0.2 ANGLES ±3'	DWN S. HOU 13-JUN-2006	tyco Electronics TYCO HOLDINGS (BERMUDA) VII LTD. TAIWAN BRANCH NAME 2mm PITCH MODU REC ASS'Y R/A STAND OFF 5.8mm CENTER HEIGHT, SMT TYPE
MATERIAL SEE NOTE	CHK W.J. KE 13-JUN-2006	
FINISH SEE NOTE	APVD W.J. KE 13-JUN-2006	LOC DW A ₃
	PRODUCT SPEC 108-57367	DRAWING NO C-1734653
	QUALIFICATION TEST REPORT 501-57464	SCALE --
	WEIGHT 2.85g	SHEET 1 OF 4

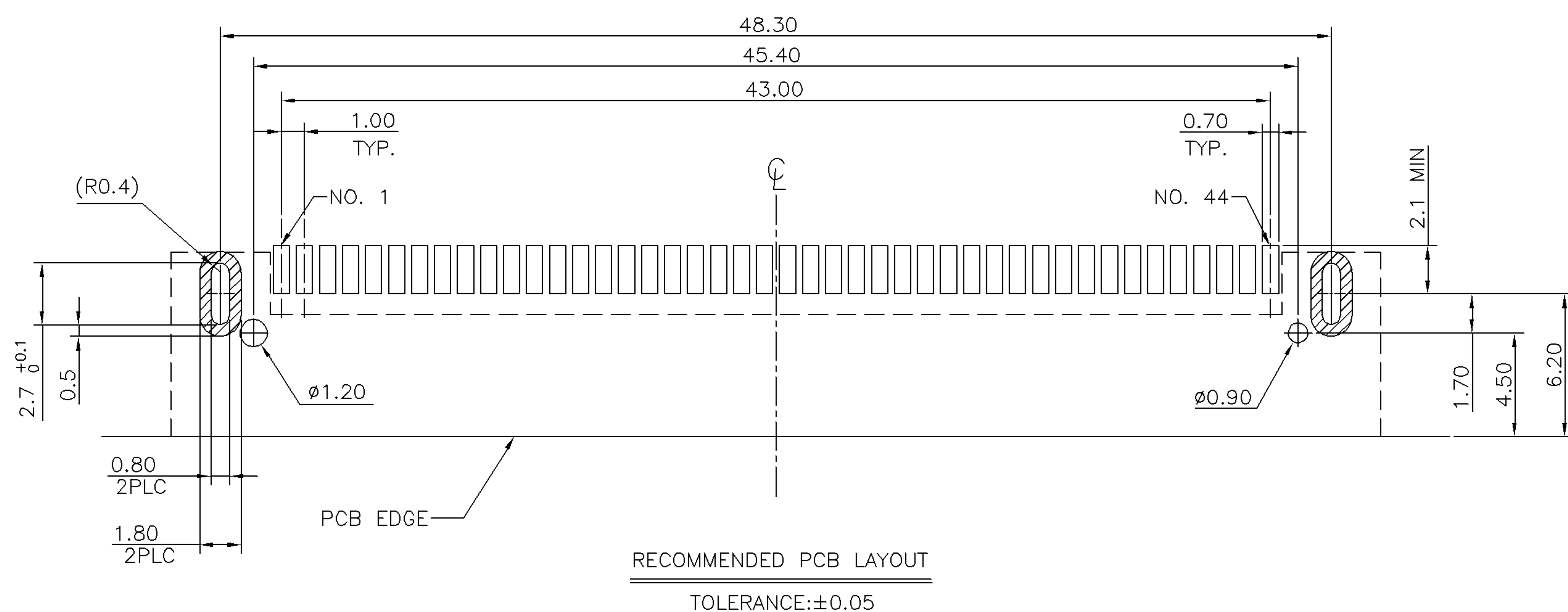
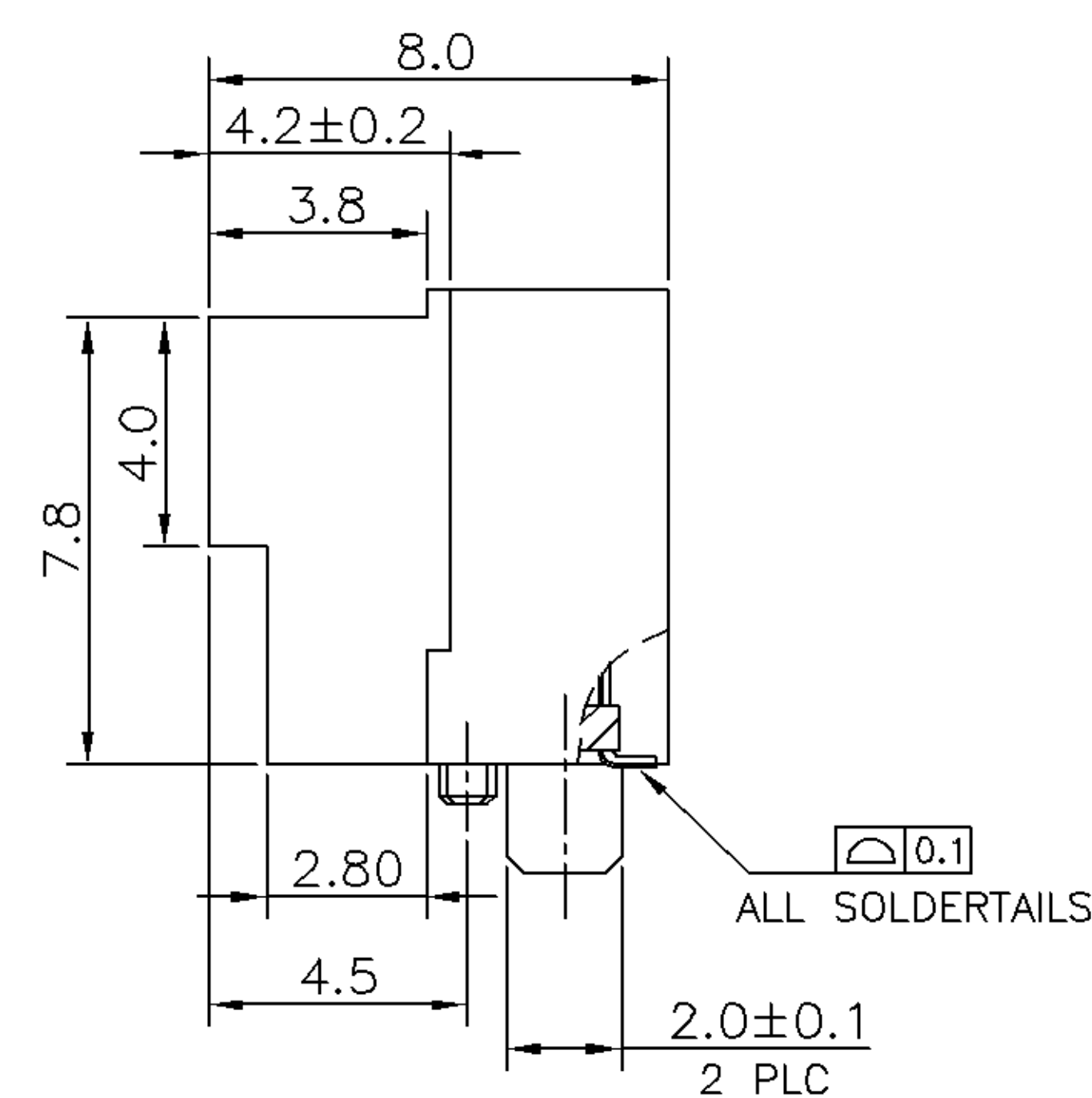
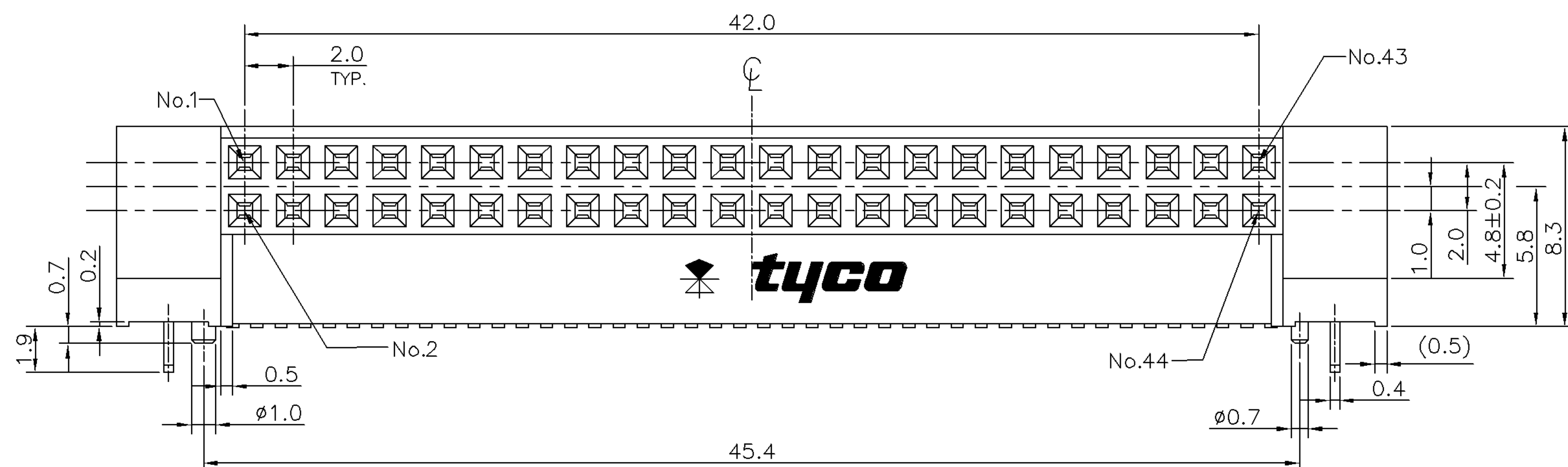
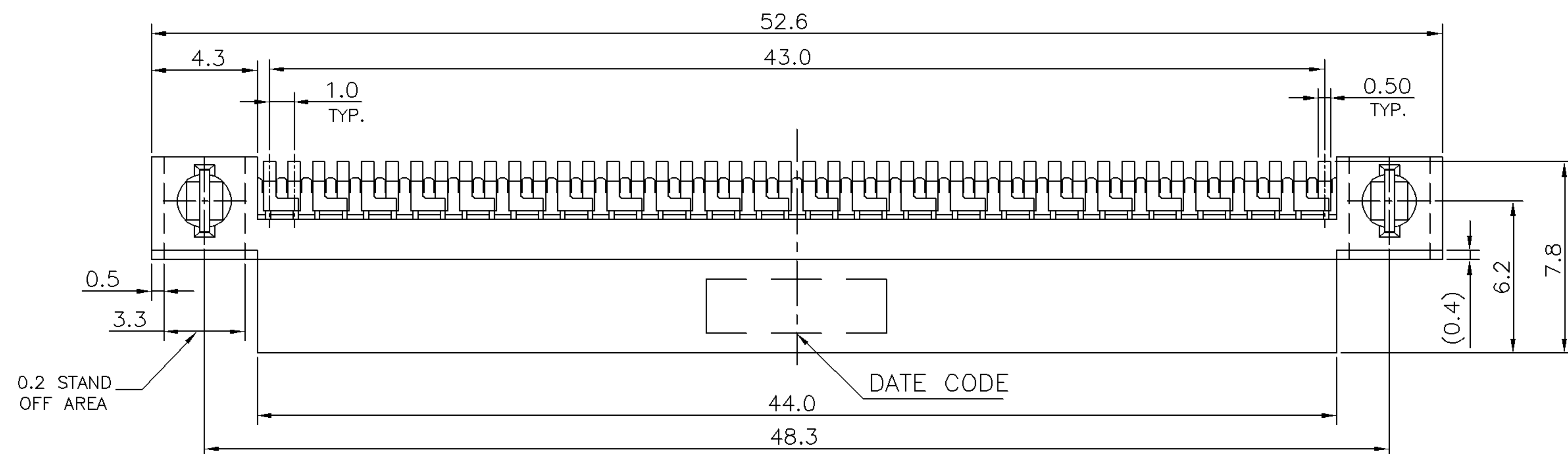
NUMBER C-1734653

3RD ANGLE PROJECTION

METRIC

THIS INFORMATION IS CONFIDENTIAL AND IS DISCLOSED TO YOU ON CONDITION THAT NO FURTHER DISCLOSURE IS MADE BY YOU TO OTHER THAN AMP PERSONNEL WITHOUT WRITTEN AUTHORIZATION FROM AMP (TAIWAN) LTD.

PRINT DIST DW



- NOTES:
- MATERIAL:
 - HOUSING: THERMOPLASTIC, (LCP), UL94V-0; COLOR:BLACK.
 - CONTACTS: PHOSPHOR BRONZE
 - BOARDLOCK :BRASS
 - FINISH:
 - CONTACT:
 - 8μ" MIN. GOLD PLATING ON CONTACT AREA.
 - 80μ" MIN. MATTE TIN PLATING ON SOLDER TAILS,
 - 50μ" MIN. NICKEL UNDERPLATING OVERALL.
 - BOARDLOCK:
 - 8μ" MIN. GOLD PLATING ENTIRE,
 - 1.2μ" MIN. GOLD PLATING ON SOLDER TAILS,
 - 50μ" MIN. NICKEL UNDERPLATING OVERALL.
 - RECOMMENDED PCB THICKNESS : 1.2mm
 - REFLOW SOLDER CAPABLE TO 260°C PER TYCO SPEC. 109-201, CONDITION B.
 - SPECIFICATIONS:
 - CURRENT RATING:1A/1CONTACT
 - VOLTAGE RATING:200VAC
 - TEMPERATURE RATING:-40°C~105°C
 - CONTACT RESISTANCE:30 MILLIOHM MAX.
 - DIELECTRIC WITHSTANDING VOLTAGE:650VAC 1 MINUTE.
 - INSULATION RESISTANCE:1000 MEGOHMS MIN.
- △ TO BE APPLIED LUBRICANT OIL ON CONTACT AREA.

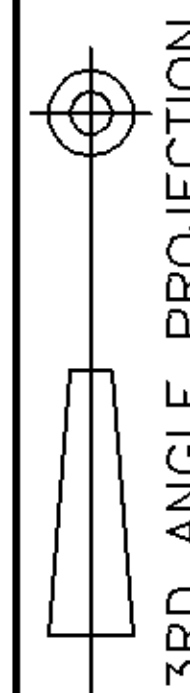
△	△	4-1734653-6
	△	4-1734653-5
	△	4-1734653-4
	PLATING	PART NUMBER

TOLERANCES UNLESS OTHERWISE SPECIFIED: 0 PLC ± 1 PLC ±0.3 2 PLC ±0.2 3 PLC ± ANGLES ±	DWN S. HOU 13-JUN-2006 CHK W.J. KE 13-JUN-2006	tyco TYCO HOLDINGS (BERMUDA) VII LTD. TAIWAN BRANCH Electronics NAME 2mm PITCH MODU REC ASS'Y R/A STAND OFF 5.8mm CENTER HEIGHT, SMT TYPE
MATERIAL SEE NOTE	APVD W.J. KE 13-JUN-2006 PRODUCT SPEC -	
FINISH SEE NOTE	QUALIFICATION TEST REPORT - WEIGHT 2.8g	LOC DW SIZE A ₃ DRAWING NO C-1734653 REV A
		SCALE -- SHEET 2 OF 4

SEE SHEET 1			
LTR	REVISION RECORD	ECN	DWN CHK DATE

CUSTOMER DRAWING

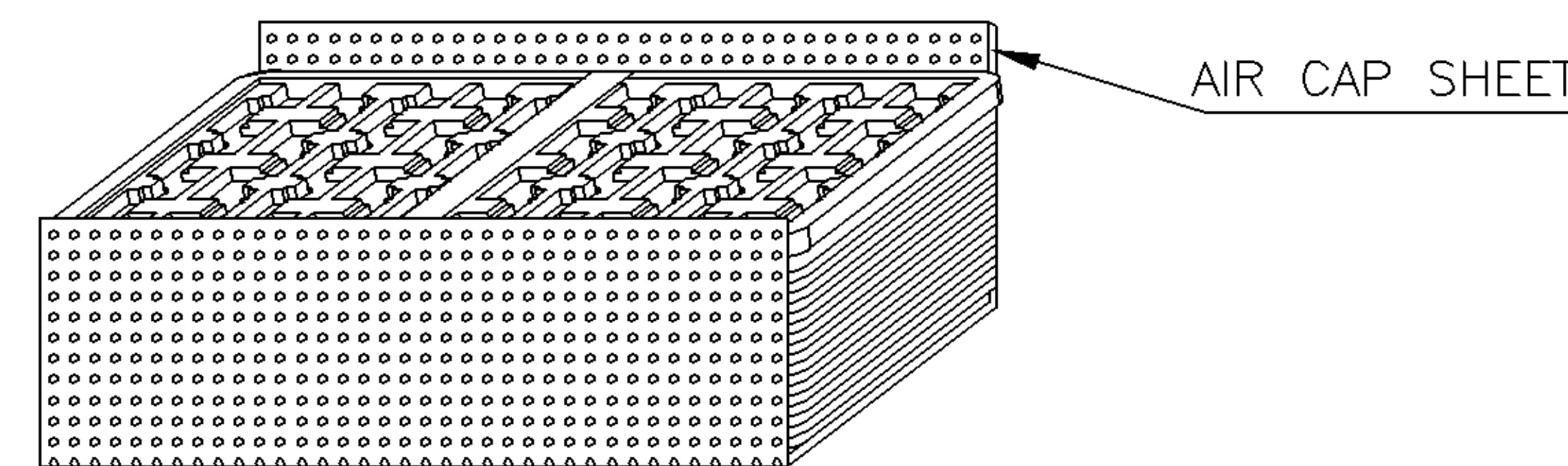
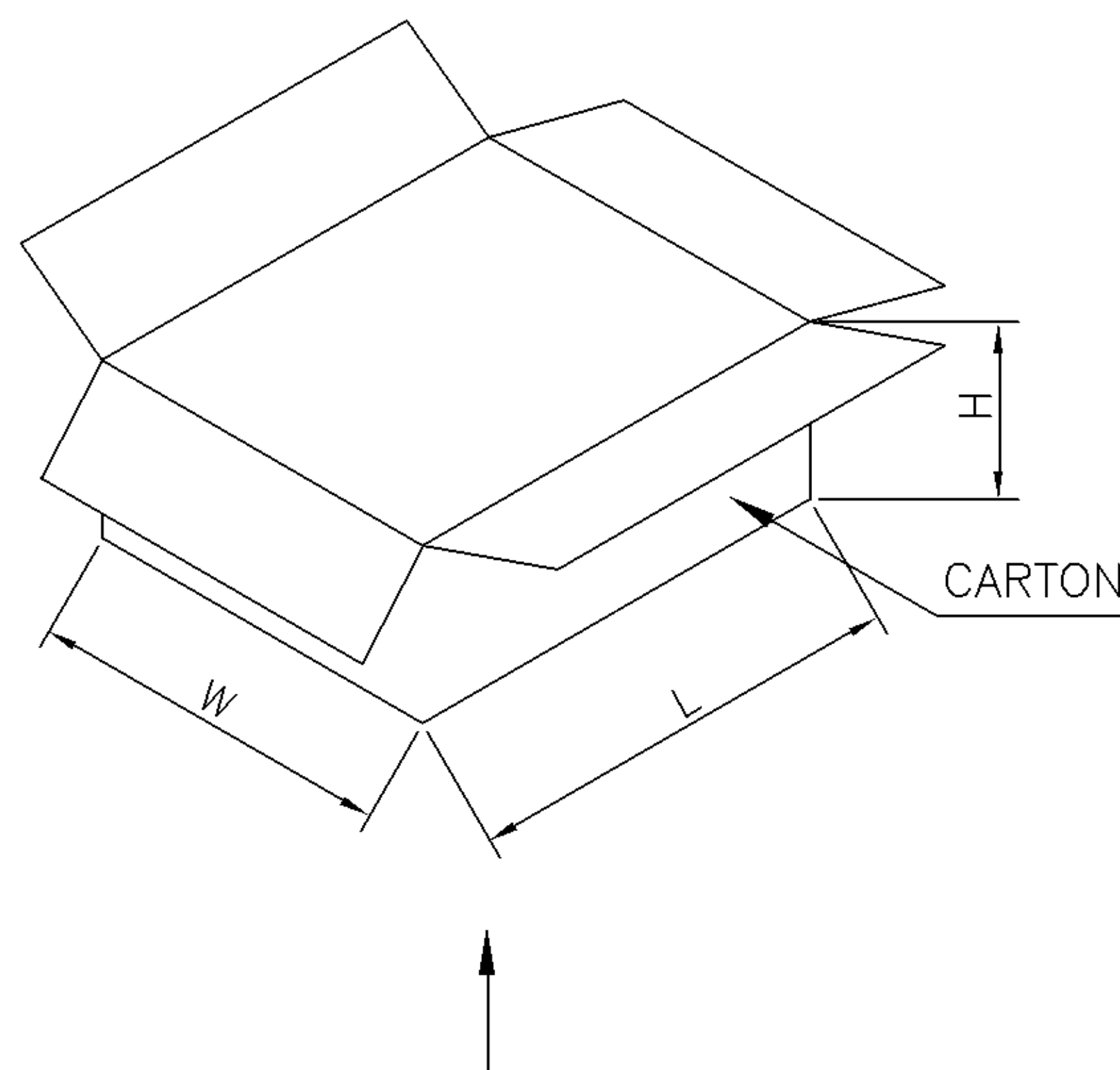
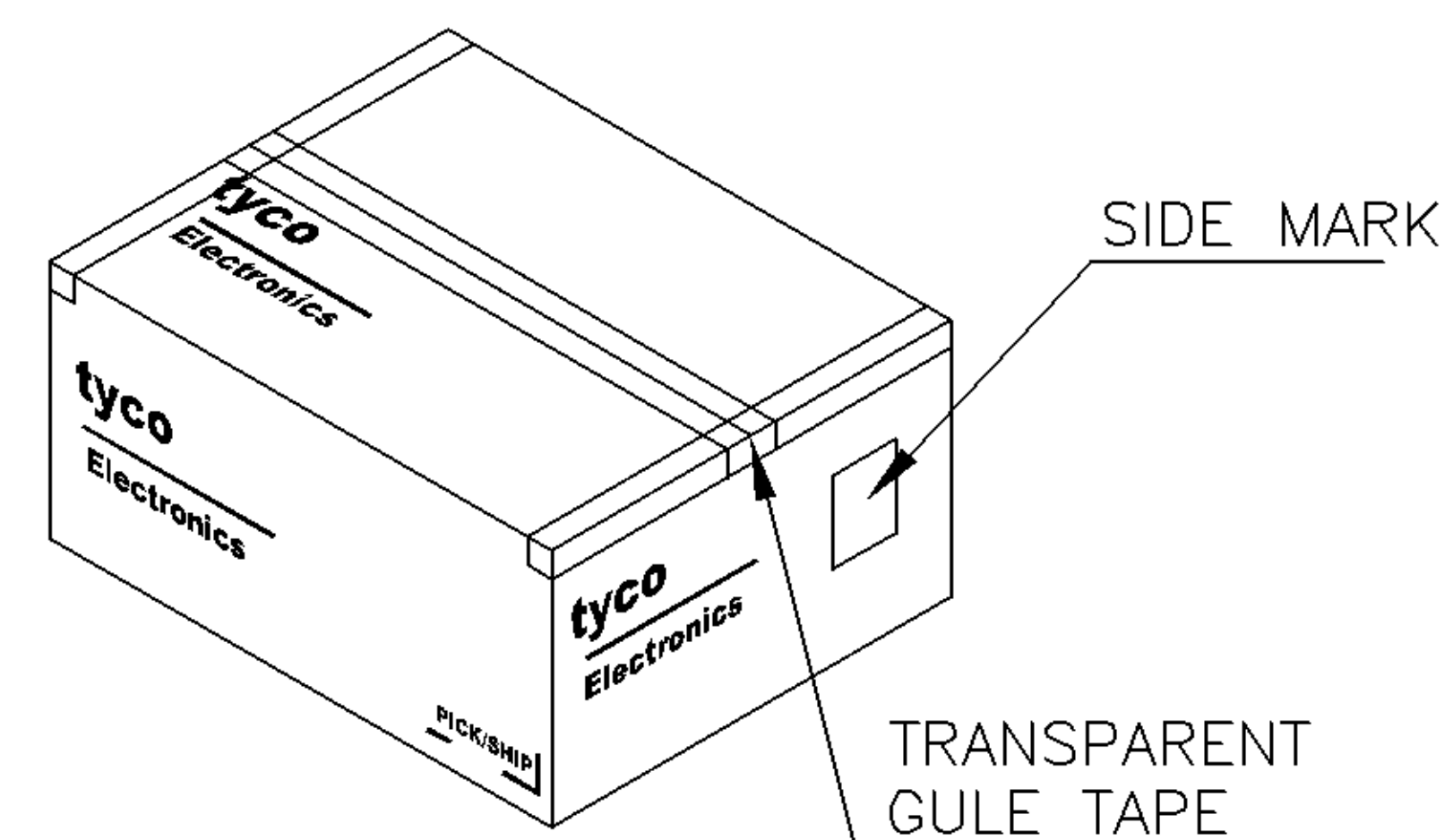
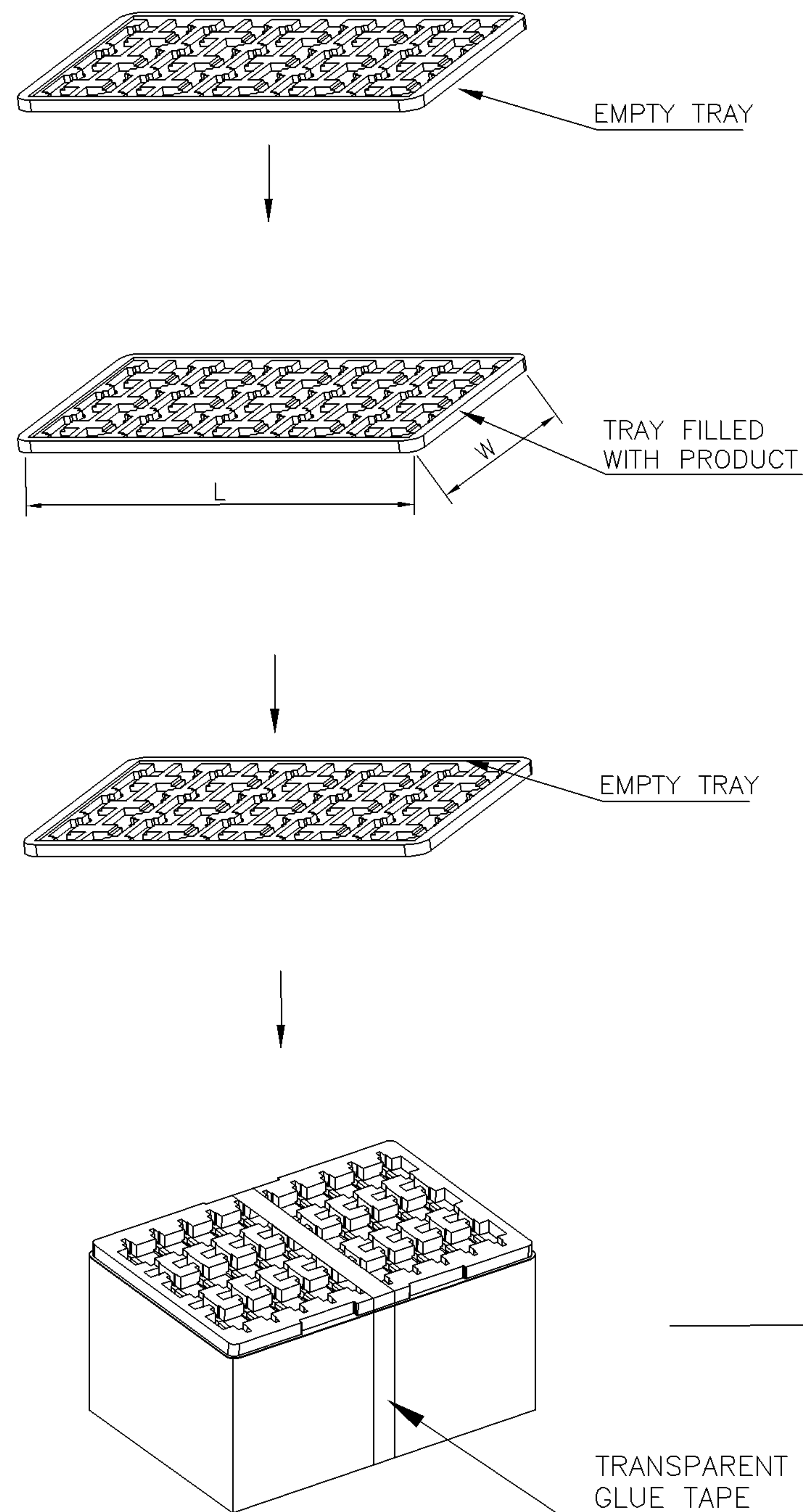
NUMBER C-1734653



METRIC

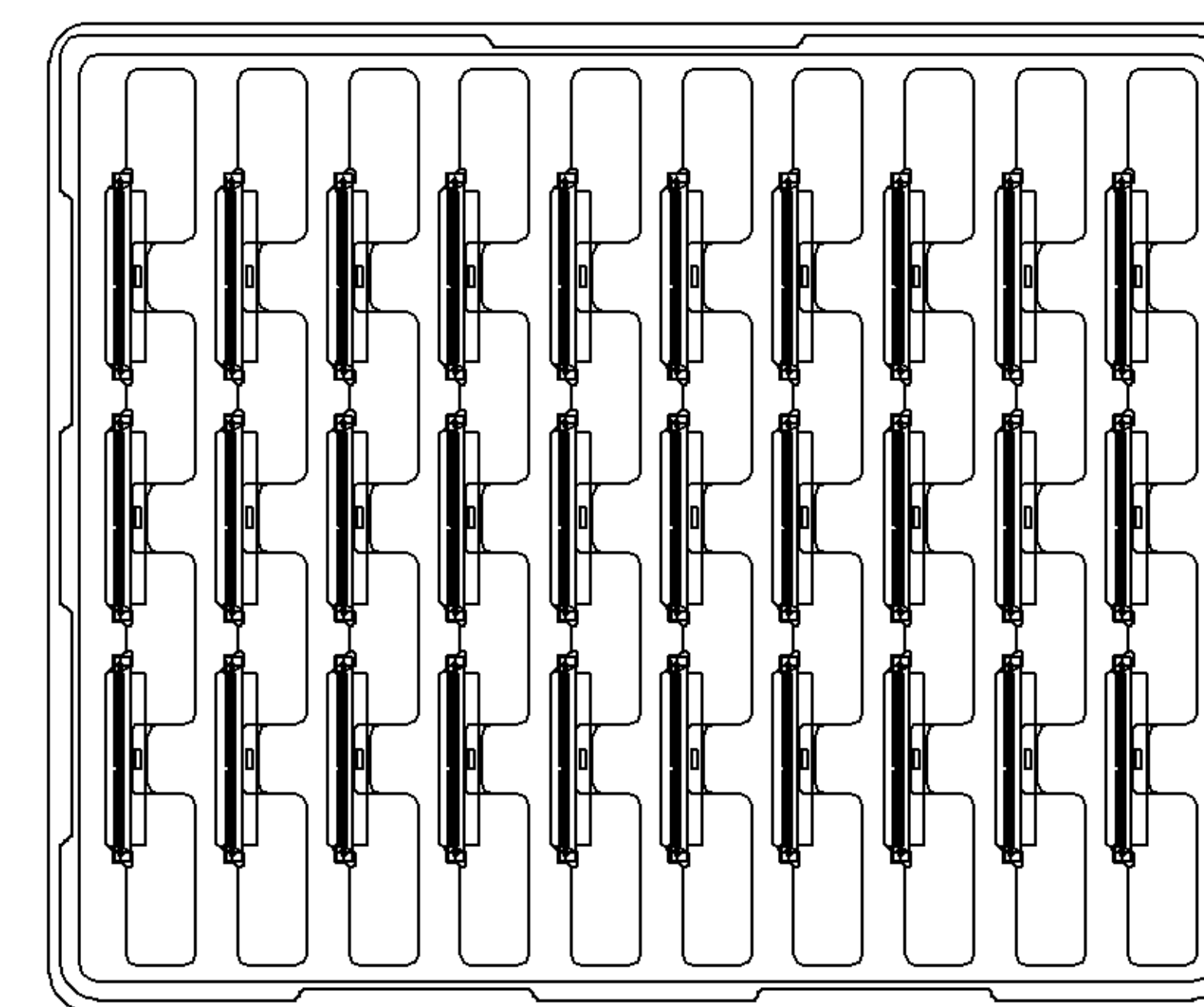
THIS INFORMATION IS CONFIDENTIAL AND IS DISCLOSED TO YOU ON CONDITION THAT NO FURTHER DISCLOSURE IS MADE BY YOU TO OTHER THAN AMP PERSONNEL WITHOUT WRITTEN AUTHORIZATION FROM AMP (TAIWAN) LTD. DIMENSIONS IN MILLIMETERS. DO NOT SCALE PRINT.

PRINT DIST DW



NOTES:

1. MATERIAL:
 - 1.1 TRAY: PS
 - 1.2 SHIPPING CARTON: CORRUGATED FIBERBOARD
 - 1.3 AIR CAP SHEET: PE CLEAR.
2. DIMENSION:
 - 2.1 TRAY: L=307, W=254, H=13.1
 - 2.2 SHIPPING CARTON: L=312, W=272, H=142(INNER DIM.)
 - 2.3 AIR CAP SHEET: L=750, W=305, T=8
3. QUANTITY:
 - 3.1 PRIMARY PACKING : 30 PCS/TRAY
 - 3.2 SECONDARY PACKING : 10 TRAY/CARTON(300PCS)
4. WEIGHT:
 - 4.1 NET WEIGHT: 0.855Kg/CARTON
 - 4.2 GROSS WEIGHT: 3.0Kg/CARTON



TRAY LAYOUT

FOR P/N : 4-1734653-3

SEE SHEET 1				
LTR	REVISION RECORD	ECN	DWN CHK	DATE

TOLERANCES UNLESS OTHERWISE SPECIFIED: 0 PLC ± 1 PLC ± 2 PLC ± 3 PLC ± ANGLES ±	DWN S. HOU 13-JUN-2006	TYCO HOLDINGS (BERMUDA) VII LTD. TAIWAN BRANCH NAME 2mm PITCH MODU REC ASS'Y R/A STAND OFF 5.8mm CENTER HEIGHT, SMT TYPE
MATERIAL	CHK W.J. KE 13-JUN-2006	
FINISH	APVD W.J. KE 13-JUN-2006	LOC DW
WEIGHT	QUALIFICATION TEST REPOERT	SIZE A ₃
		DRAWING NO C-1734653
		REV A
		SCALE --
		SHEET 3 OF 4

CUSTOMER DRAWING

8 | 7 | 6 | 5 | 4 | 3 | 2 | 1

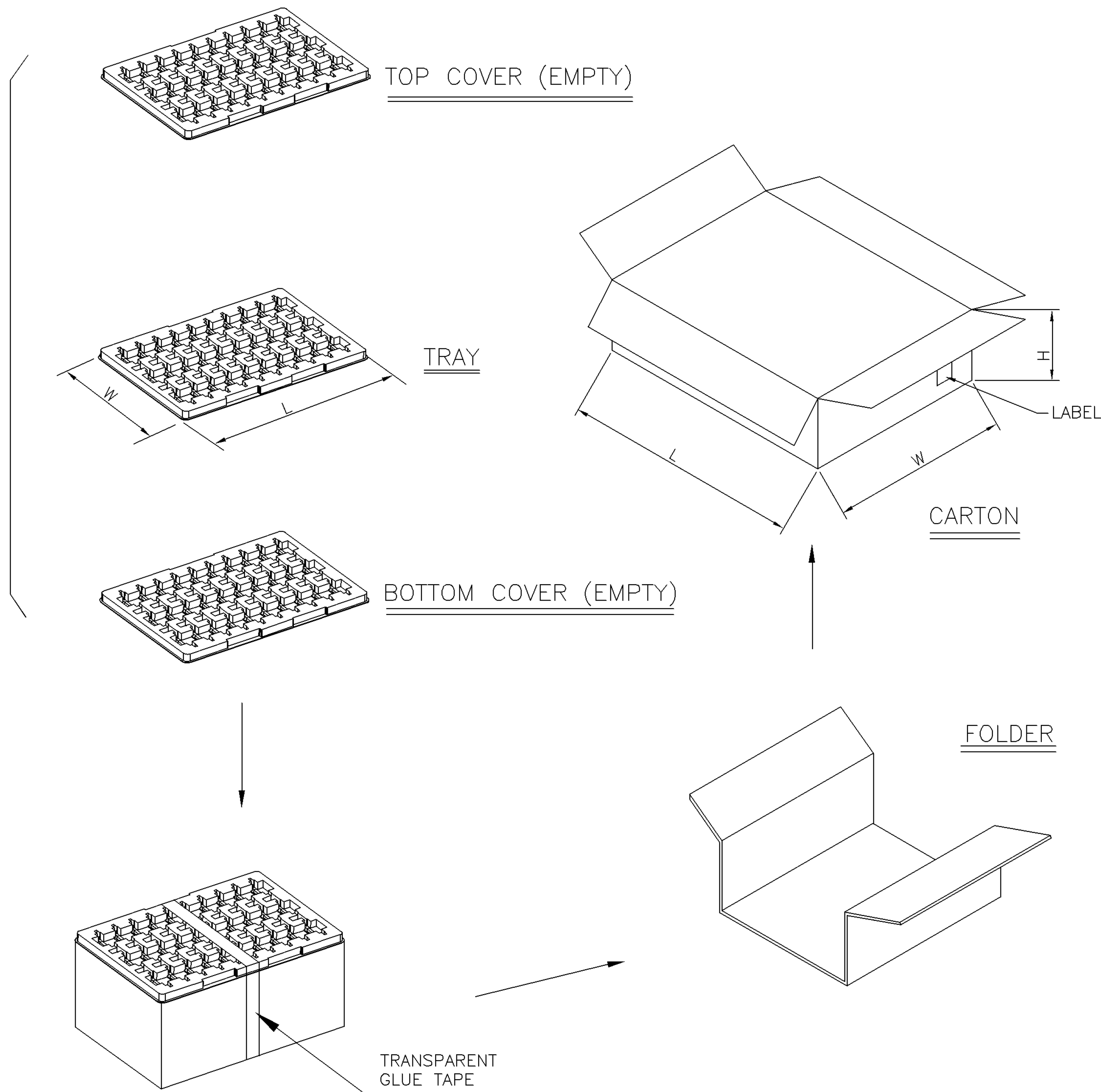
D
C
B
A

NUMBER C-1734653

3RD ANGLE PROJECTION

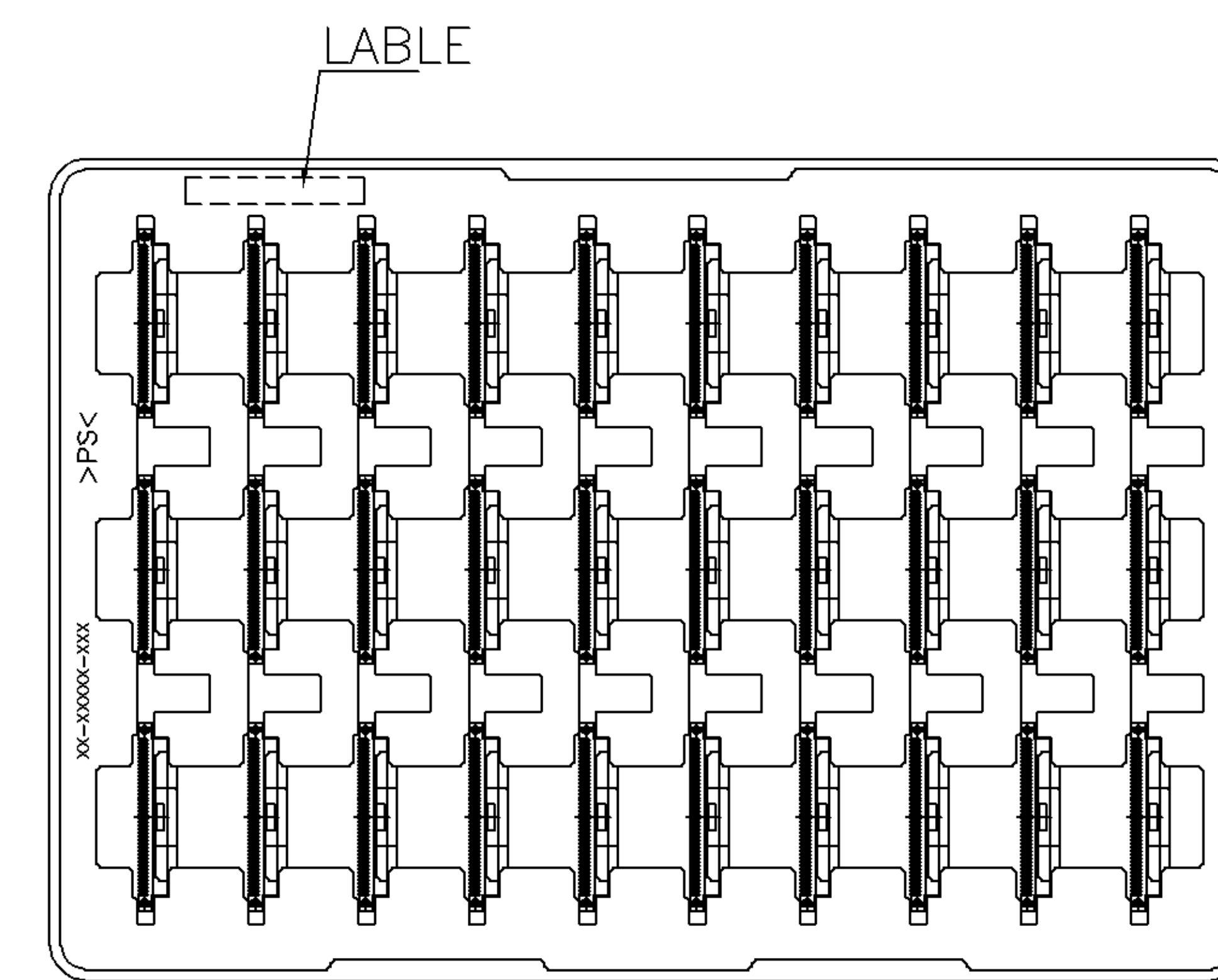
METRIC

THIS INFORMATION IS CONFIDENTIAL AND IS DISCLOSED TO YOU ON CONDITION THAT NO FURTHER DISCLOSURE IS MADE BY YOU TO OTHER THAN AMP PERSONNEL WITHOUT WRITTEN AUTHORIZATION FROM AMP (TAIWAN) LTD. DIMENSIONS IN MILLIMETERS. DO NOT SCALE PRINT.



NOTES:

1. MATERIAL:
 - 1.1 TRAY: PS
 - 1.2 SHIPPING CARTON: CORRUGATED FIBERBOARD
 - 1.3 FOLDER: SINGLE WALL CORRUGATED.
2. DIMENSION:
 - 2.1 TRAY: L=335, W=230, H=14.1
 - 2.2 SHIPPING CARTON: L=340, W=243, H=155(INNER DIM)
 - 2.3 FOLDER: L=752, W=333, T=3
3. QUANTITY:
 - 3.1 PRIMARY PACKING : 30 PCS/TRAY
 - 3.2 SECONDARY PACKING : 10 TRAY/CARTON(300PCS)
4. WEIGHT:
 - 4.1 NET WEIGHT: 0.84Kg/CARTON
 - 4.2 GROSS WEIGHT: 2.4Kg/CARTON



TRAY LAYOUT

FOR P/N : 4-1734653-4
 FOR P/N : 4-1734653-5
 FOR P/N : 4-1734653-6

TOLERANCES UNLESS OTHERWISE SPECIFIED: 0 PLC ± 1 PLC ± 2 PLC ± 3 PLC ± ANGLES ±	DWN	S. HOU 13-JUN-2006	tyco TYCO HOLDINGS (BERMUDA) VII LTD. TAIWAN BRANCH	
	CHK	W.J. KE 13-JUN-2006	Electronics	
MATERIAL	APVD	W.J. KE 13-JUN-2006	NAME 2mm PITCH MODU REC ASS'Y R/A STAND OFF 5.8mm CENTER HEIGHT, SMT TYPE	
FINISH	QUALIFICATION TEST REPOERT	LOC DW	SIZE A₃	DRAWING NO C-1734653
WEIGHT		SCALE		REV A
				SHEET 4 OF 4

SEE SHEET 1				
LTR	REVISION RECORD	ECN	DWN CHK	DATE