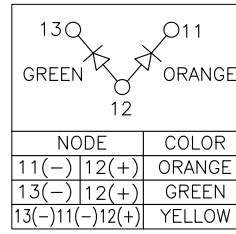
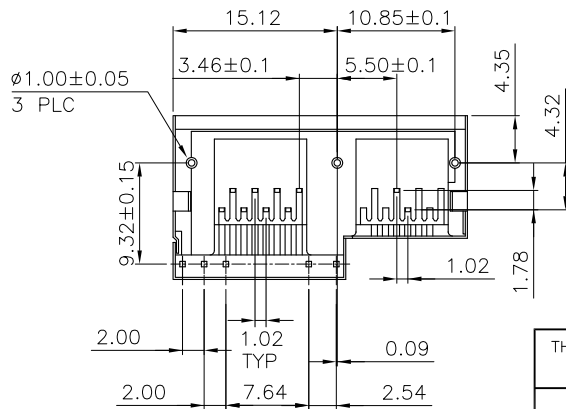
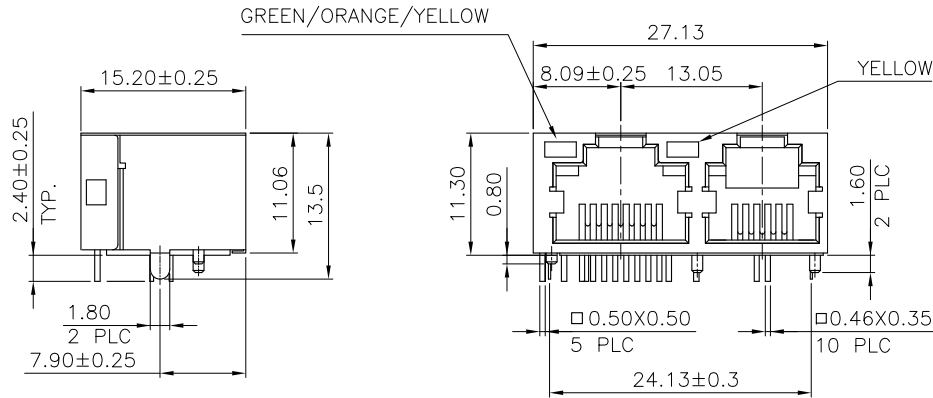
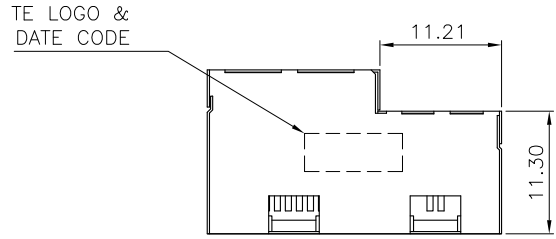
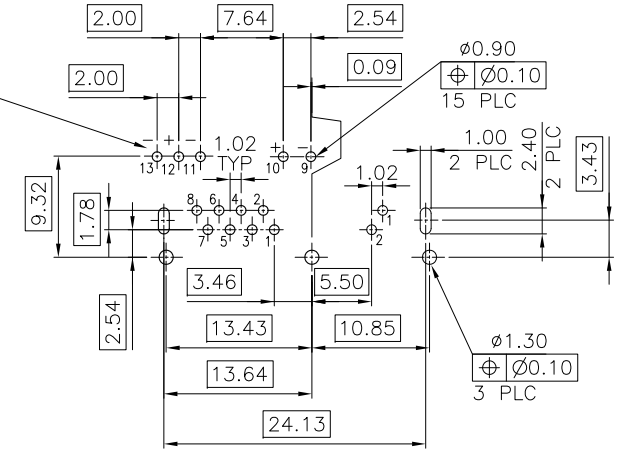


LOC DW	DIST -	REVISIONS			DATE 26OCT12	DWN EL	APVD WK
P A3	LTR ECR-12-012115	DESCRIPTION	DATE	DWN	APVD		



ELECTRICAL CIRCUIT



RECOMMENDED PCB LAYOUT (THICKNESS: 1.6mm)
 DIMENSION TOLERANCE: 1 PLC: ±0.1 2PLC: ±0.05)

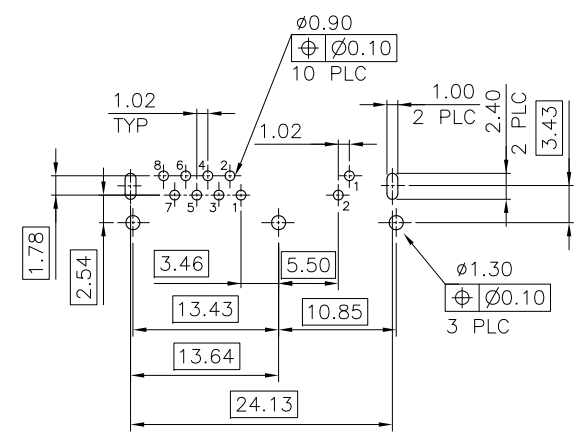
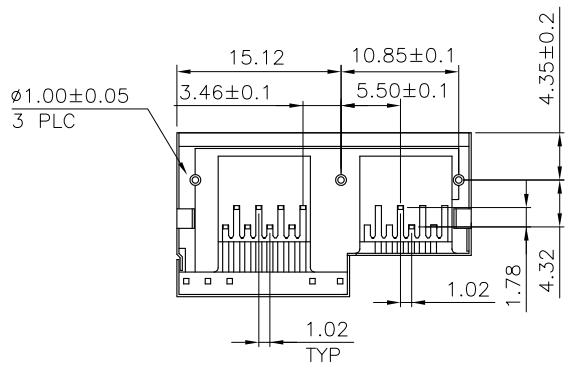
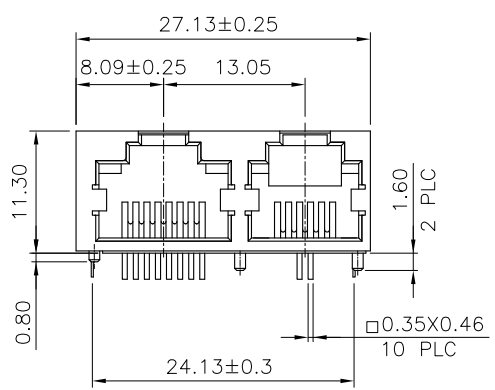
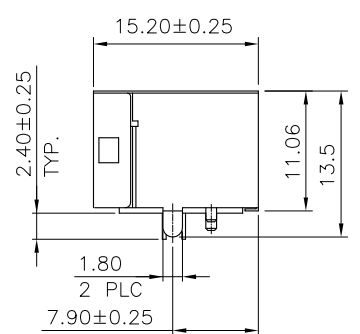
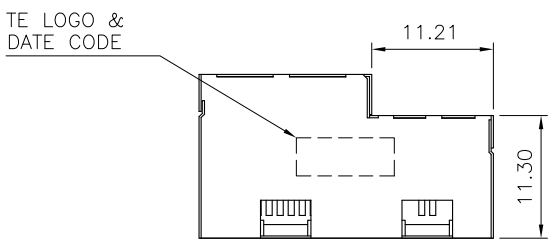
- NOTE:
- MATERIAL:
 HOUSING: HIGH TEMP. THERMOPLASTIC, UL94 V-0, COLOR: BLACK.
 CONTACT: PHOSPHOR BRONZE, THICKNESS: 0.35mm.
 SHIELD: BRASS, THICKNESS: 0.20mm.
 LED LIGHT: EPOXY RESIN, THICKNESS: 0.50X0.50mm.
 - FINISH:
 CONTACT: GOLD PLATED (SEE TABLE) IN CONTACT AREA, GOLD FLASH ON SOLDER TAILS, 50u" MIN. NICKEL UNDER PLATED ALL OVER.
 SHELL: 20u" MIN. NICKEL PLATED.
 LED FINISH: 65u" MIN Ag PLATED.
 85u" MIN TIN PLATED.
 - NET WEIGHT: 5g.
 - LED LIGHT MUST BE REFLOW COMPATIBLE TO FOLLOWING TEMPERATURE PROFILE (FOR 1 CYCLE): ABOVE 160°C FOR 210 SECONDS, PEAKING AT 230°C FOR 10 SECONDS.

OBSOLETE	TAPE & REEL	50µ"	3-1734063-4
		30µ"	3-1734063-3
		15µ"	3-1734063-2
	TRAY	6µ"	3-1734063-1
		50µ"	-1734063-4-
		30µ"	-1734063-3-
		15µ"	-1734063-2-
		6µ"	-1734063-1-
PACKAGE	MIN. GOLD THICKNESS	PART NUMBER	

THIS DRAWING IS A CONTROLLED DOCUMENT.		DWN O. HU	13AUG2004	TE Connectivity	
DIMENSIONS: MM		CHK S. HOU	13AUG2004		
TOLERANCES UNLESS OTHERWISE SPECIFIED:		APVD T. KF	13AUG2004	NAME	
0 PLC ± 0.5 1 PLC ± 0.3 2 PLC ± 0.2 3 PLC ± 0.1 4 PLC ± 0.1 ANGLES ± - ± -		PRODUCT SPEC 108-57136		MODULAR JACK, COMBO, RJ45/RJ11, DIP TYPE	
MATERIAL SEE NOTE		APPLICATION SPEC		SIZE A3	CAGE CODE 00779
FINISH SEE NOTE		WEIGHT -		DRAWING NO C=1734063	
		CUSTOMER DRAWING		RESTRICTED TO -	
		SCALE -		SHEET 1 of 3	REV A3

THIS DRAWING IS UNPUBLISHED. RELEASED FOR PUBLICATION
 © COPYRIGHT 2013 BY TE CONNECTIVITY. ALL RIGHTS RESERVED.

LOC	DIST	REVISIONS					
DW	-	P	LTR	DESCRIPTION	DATE	DWN	APVD
				SEE SHEET 1			



RECOMMENDED PCB LAYOUT (THICKNESS: 1.6mm)
 DIMENSION TOLERANCE: 1 PLC: ±0.1 2PLC: ±0.05

- NOTE:
- MATERIAL:
 HOUSING: HIGH TEMP. THERMOPLASTIC, UL94 V-0, COLOR: BLACK.
 CONTACT: PHOSPHOR BRONZE, THICKNESS: 0.35mm.
 SHIELD: BRASS, THICKNESS: 0.20mm.
 - FINISH:
 CONTACT: GOLD PLATED (SEE TABLE) IN CONTACT AREA,
 GOLD FLASH ON SOLDER TAILS, 50u" MIN. NICKEL
 UNDER PLATED ALL OVER.
 SHELL: 20u" MIN. NICKEL PLATED.
 - NET WEIGHT: 5g.

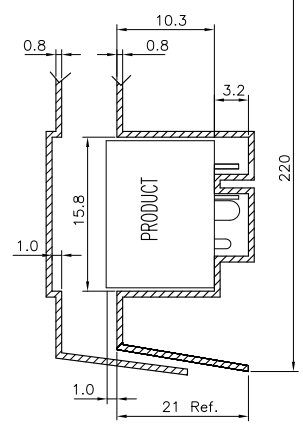
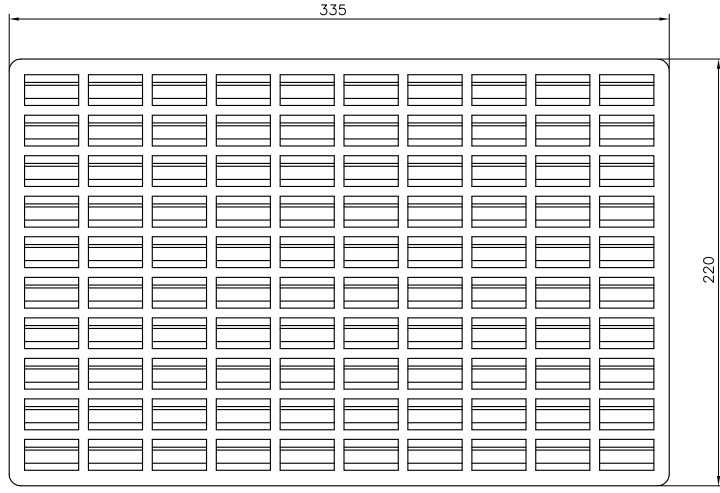
OBSOLETE	TAPE & REEL	50µ"	2-1734063-4
		30µ"	2-1734063-3
		15µ"	2-1734063-2
	TRAY	6µ"	2-1734063-1
		50µ"	1-1734063-4
		30µ"	1-1734063-3
PACKAGE	15µ"	1-1734063-2	
	6µ"	1-1734063-1	
	MIN. GOLD THICKNESS	PART NUMBER	

"WITH OUT LED"

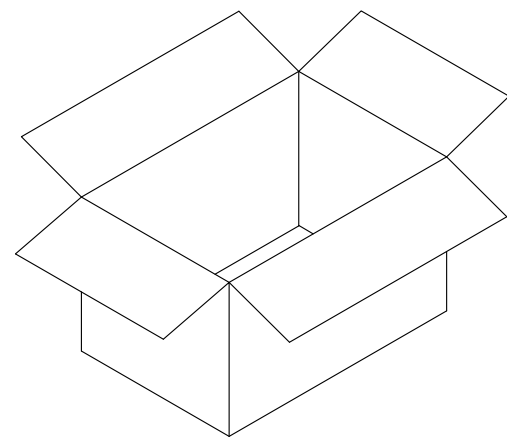
THIS DRAWING IS A CONTROLLED DOCUMENT.		DWN	-	TE Connectivity MODULAR JACK, COMBO, RJ45/RJ11, DIP TYPE					
DIMENSIONS: MM		CHK	-			NAME			
TOLERANCES UNLESS OTHERWISE SPECIFIED:		APVD	-			PRODUCT SPEC			
0 PLC ± 0.5 1 PLC ± 0.3 2 PLC ± 0.2 3 PLC ± 0.1 4 PLC ± 0.1 ANGLES ± -		APPLICATION SPEC				SIZE CAGE CODE DRAWING NO			
MATERIAL	SEE NOTE	WEIGHT	-	A3	00779	C=1734063	RESTRICTED TO	-	
CUSTOMER DRAWING		SCALE		SHEET		2 of 3		REV	A3

THIS DRAWING IS UNPUBLISHED. RELEASED FOR PUBLICATION
 © COPYRIGHT 2013 BY TE CONNECTIVITY. ALL RIGHTS RESERVED.

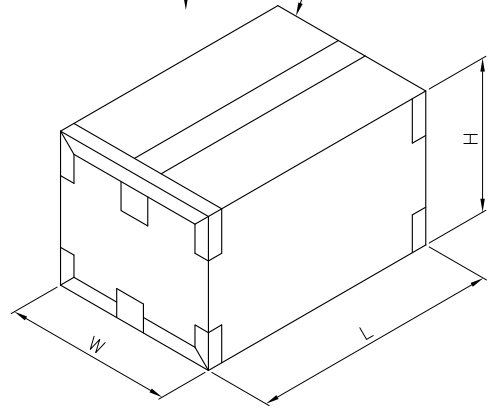
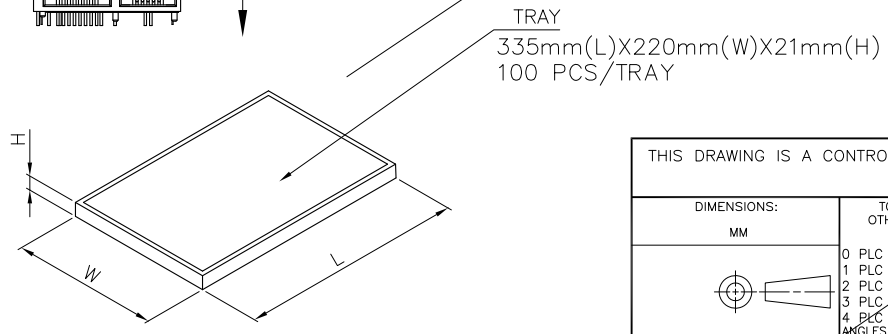
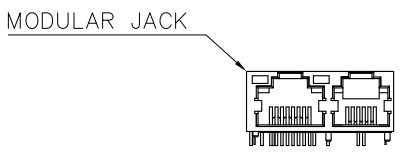
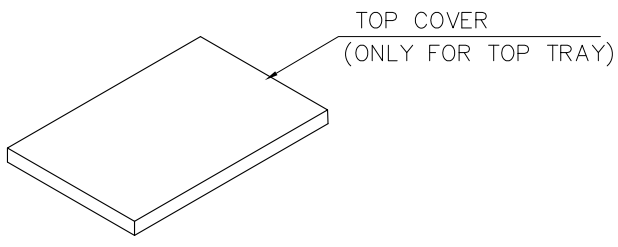
LOC	DIST	REVISIONS					
DW	-	P	LTR	DESCRIPTION	DATE	DWN	APVD
				SEE SHEET 1			



NOTE: 1. MATERIAL: PET T: 0.8mm.



BOX
 345mm(L)X235mm(W)X195mm(H)
 11 TRAY/CARTON
 TOTAL: 1100 PCS
 GROSS WEIGHT: 7Kg



1-1734063-1
 PART NUMBER

THIS DRAWING IS A CONTROLLED DOCUMENT.		DWN	-	TE Connectivity MODULAR JACK, COMBO, RJ45/RJ11, DIP TYPE					
DIMENSIONS: MM		CHK	-				NAME		
TOLERANCES UNLESS OTHERWISE SPECIFIED:		APVD	-				PRODUCT SPEC		
0 PLC ± - 1 PLC ± - 2 PLC ± - 3 PLC ± - 4 PLC ± - ANGLES ± -		APPLICATION SPEC					SIZE CAGE CODE DRAWING NO RESTRICTED TO		
MATERIAL		WEIGHT		A3 00779 ©=1734063					
FINISH		CUSTOMER DRAWING		SCALE	SHEET	REV			
				-	3 of 3	A3			