

THIS DRAWING IS UNPUBLISHED.

RELEASED FOR PUBLICATION

20

© COPYRIGHT 20 BY -

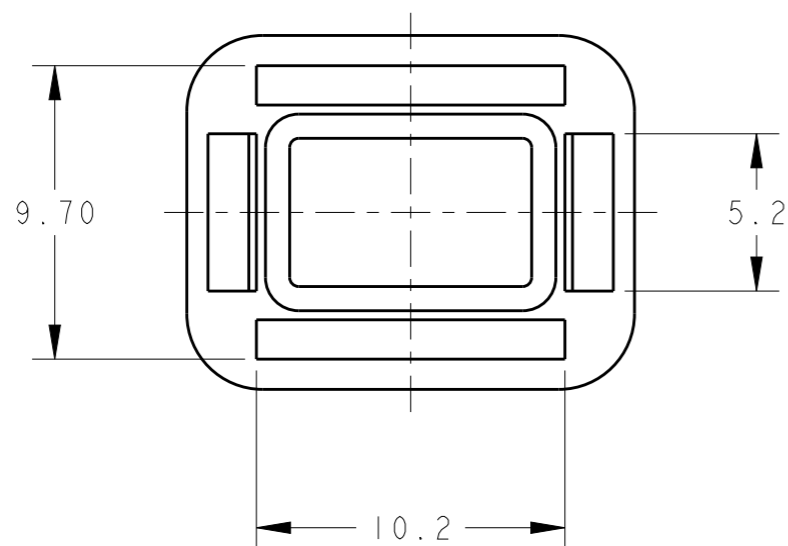
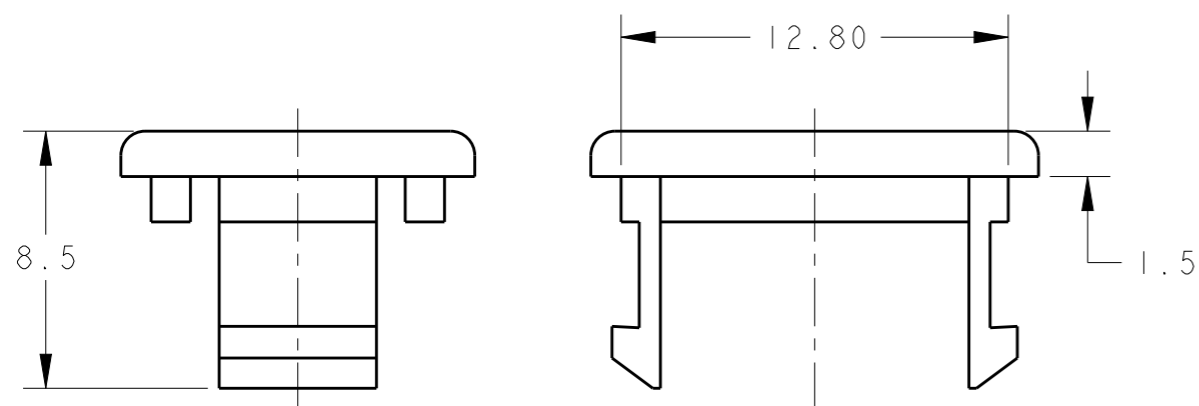
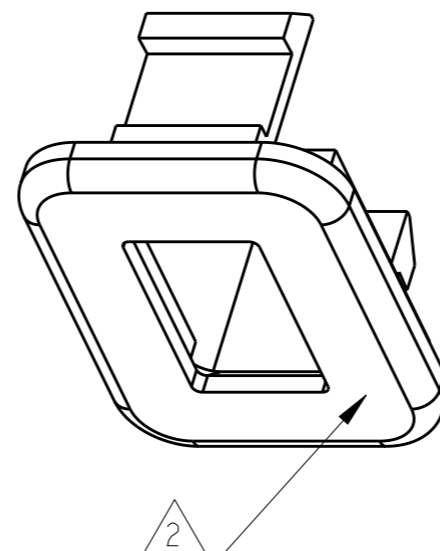
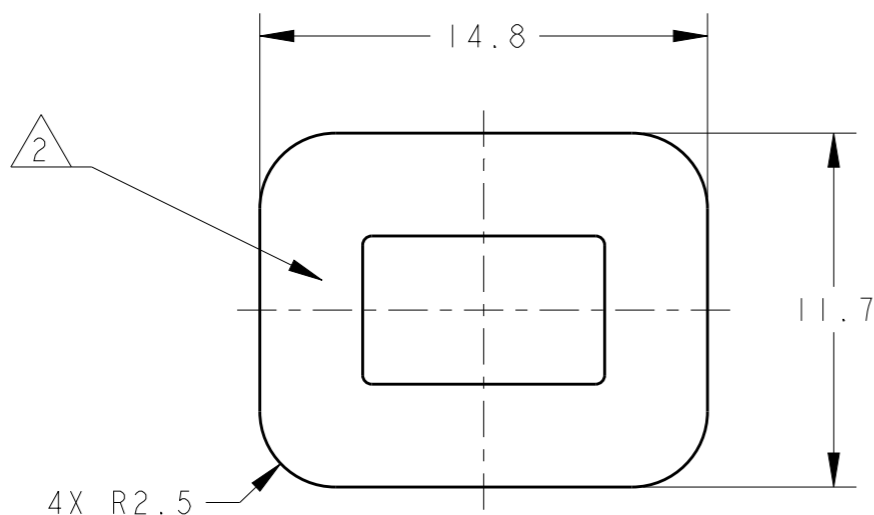
ALL RIGHTS RESERVED.

LOC
GV

DIST
1

REVISIONS

P	LTR	DESCRIPTION	DATE	DWN	APVD
	B	INITIAL RELEASE	04FEB2016	SP	LI



NOTES:

1 MATERIAL: PC/ABS ALLOY, SABIC INNOVATIVE PLACTICS CYCOLOY LG9000, BLACK.

2 SURFACE TO HAVE SPI D-1 FINISH.

1732251-1
TE PN

THIS DRAWING IS A CONTROLLED DOCUMENT.

DWN M.BILY 13MAR2012
 CHK M.BILY 13MAR2012
 APVD L.LORDACHE 13MAR2012

STE TE Connectivity

NAME
BEZEL, RECTANGULAR

DIMENSIONS:	TOLERANCES UNLESS OTHERWISE SPECIFIED:
mm	
	0 PLC ±-
	1 PLC ±0.2
	2 PLC ±0.1
	3 PLC ±-
	4 PLC ±-
	ANGLES ±-

PRODUCT SPEC -
 APPLICATION SPEC -
 WEIGHT -

SIZE	CAGE CODE	DRAWING NO	RESTRICTED TO
A3	00779	C-1732251	-

MATERIAL - 1
 FINISH -

CUSTOMER DRAWING SCALE 4:1 SHEET 1 OF 1 REV B