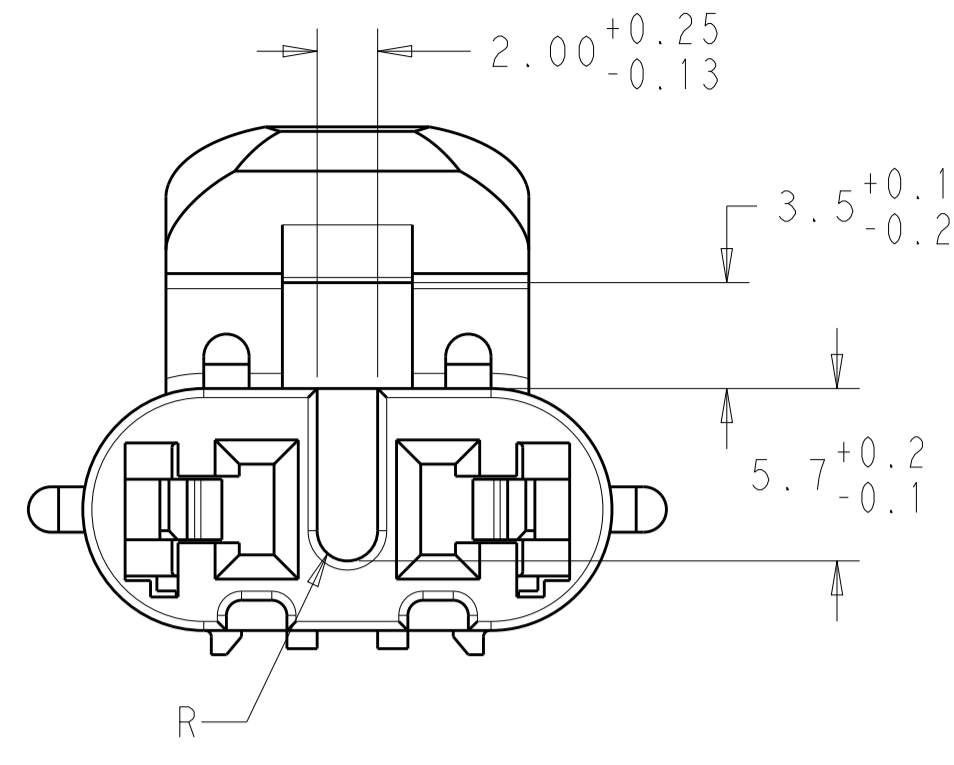
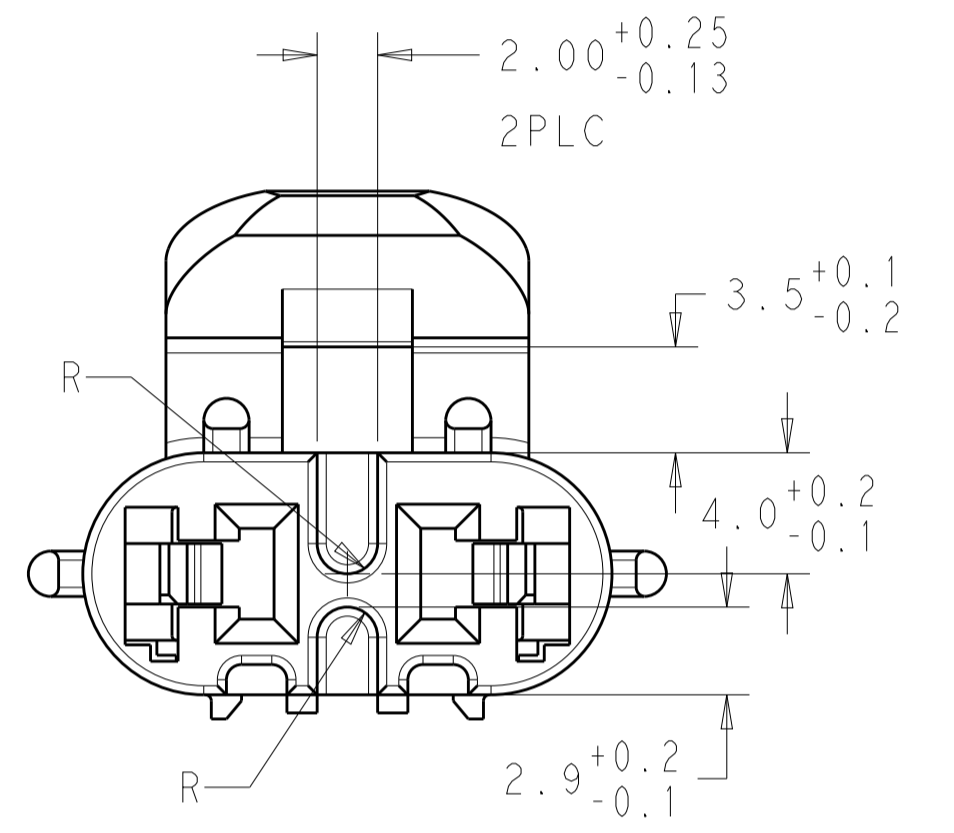


REVISIONS				
P.	LTM	DESCRIPTION	DATE	DWN APVD
A3		REVISED PER ECO-14-012951	25AUG2014	DD GK

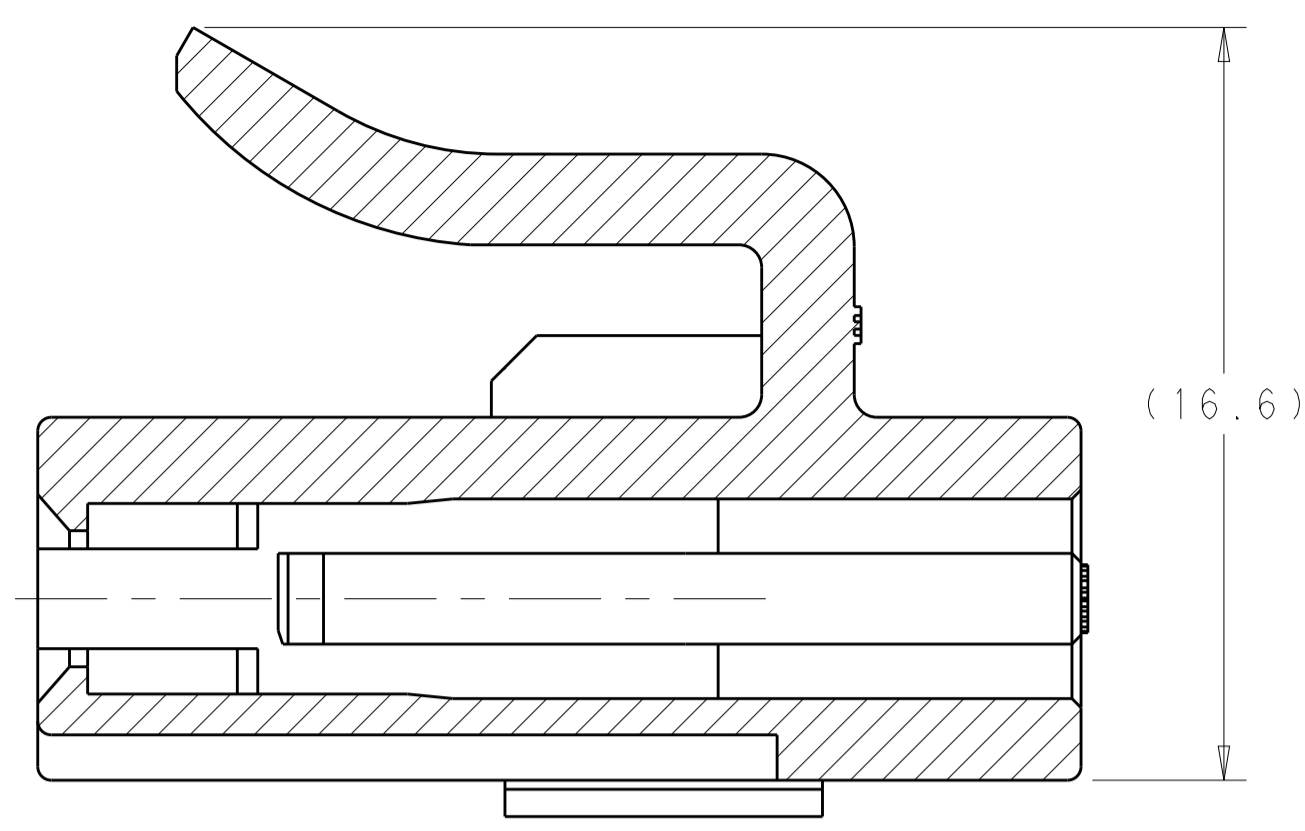
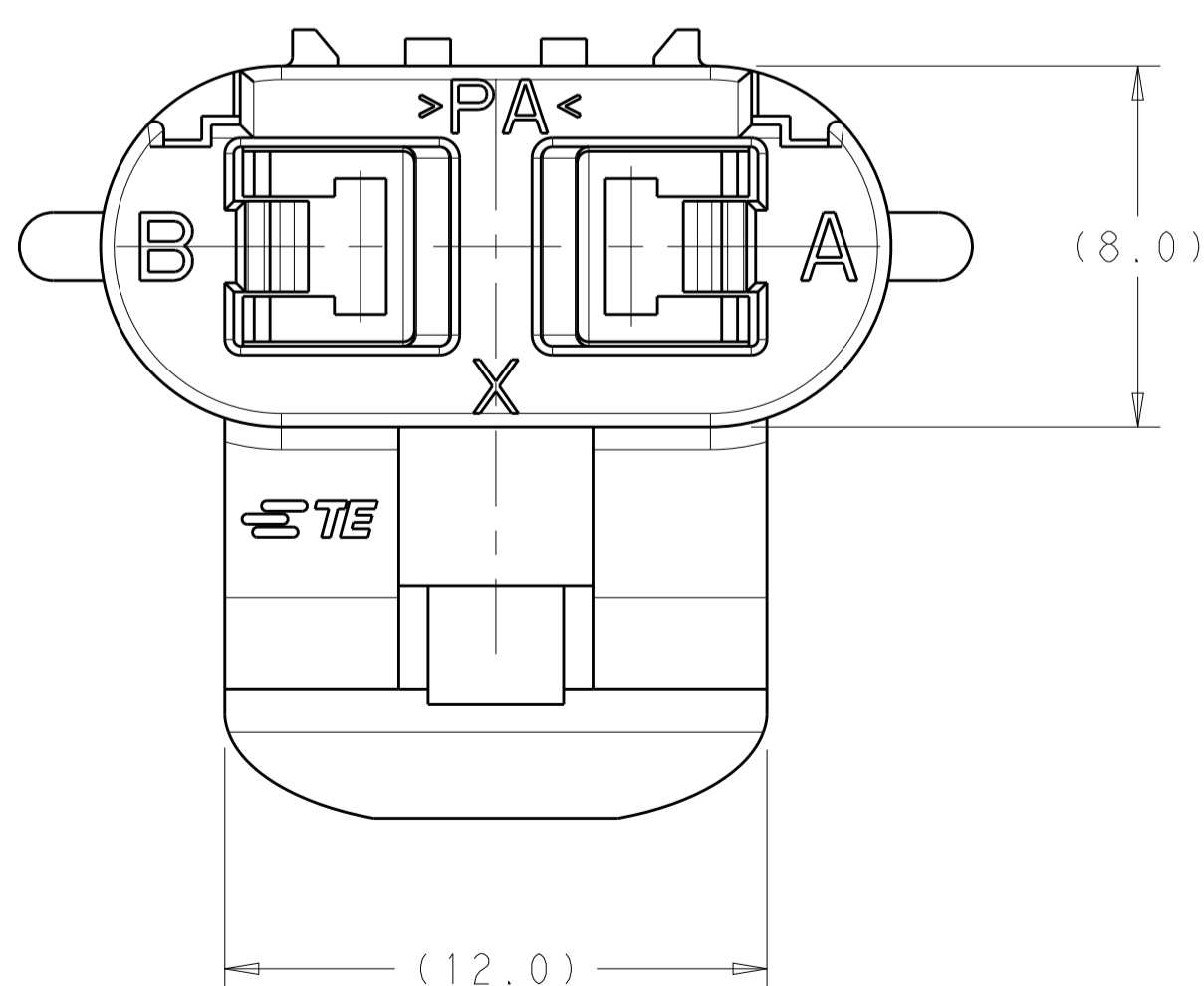
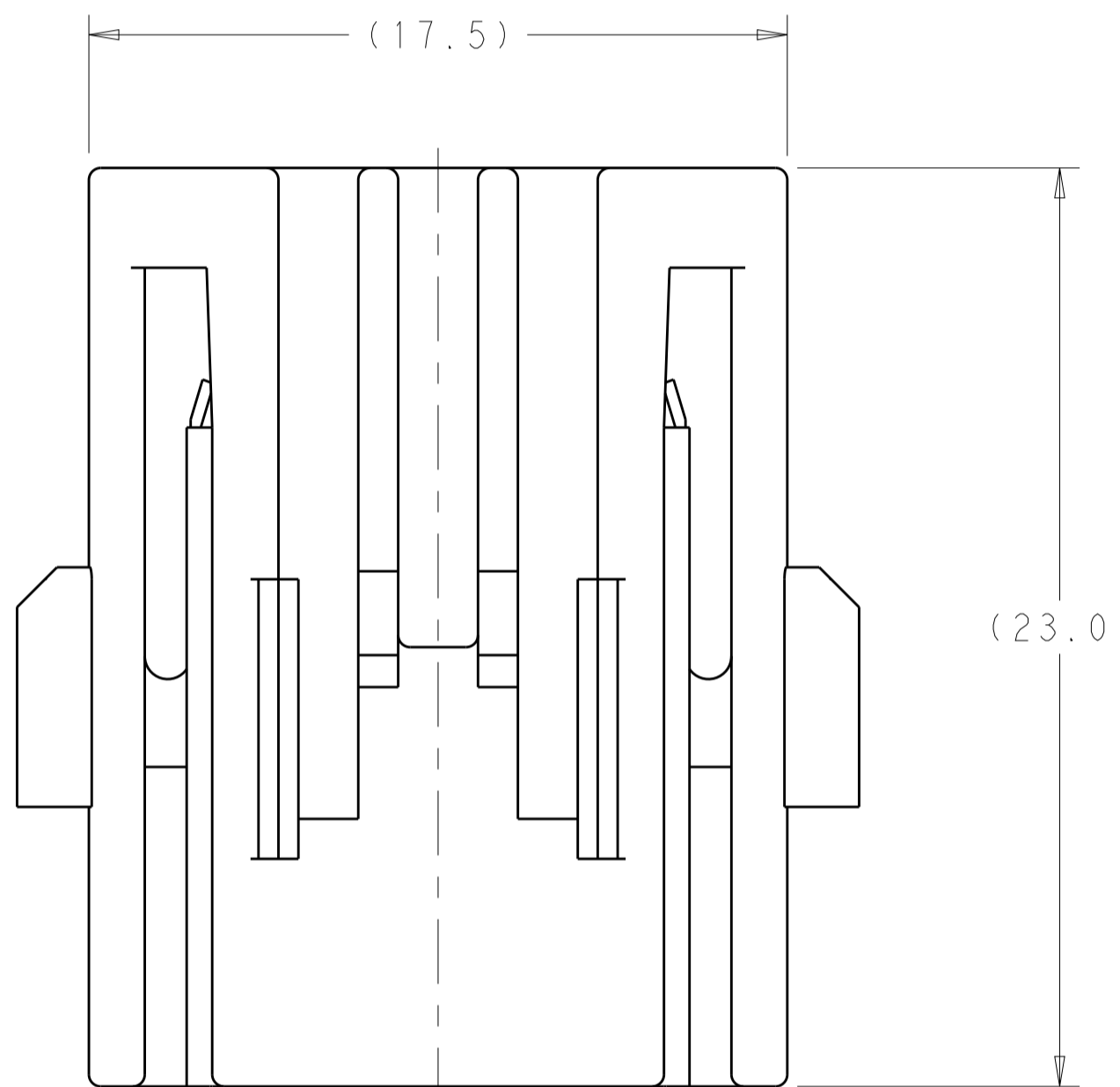
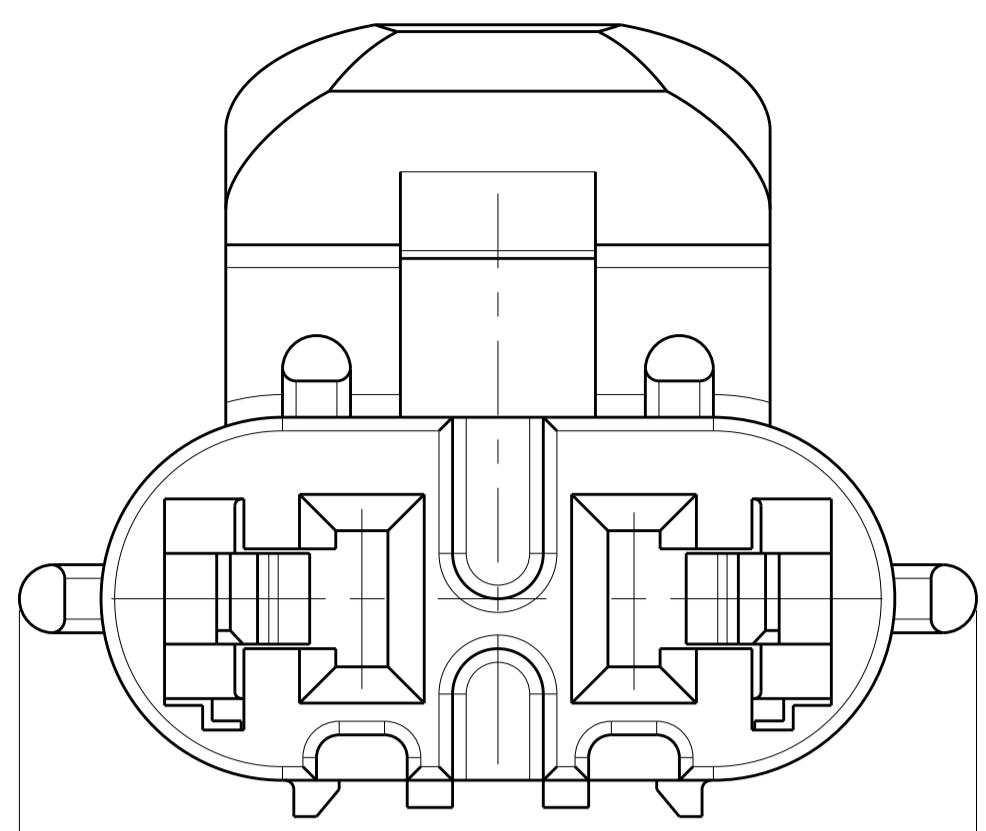


1732003-1



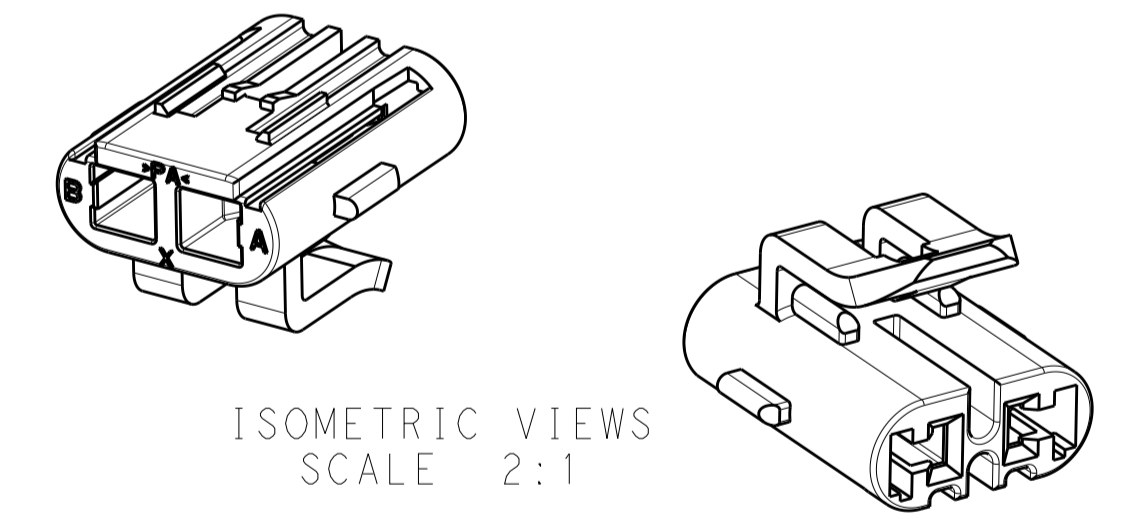
1732003-2

KEYING CONFIGURATION



SECTION D-D

△ MATERIAL: SEE TABLE BELOW. 15% REGRIND ALLOWED.
 2. HOUSING IS USED TO RETAIN TERMINAL 1326030-6. MINIMUM RETENTION FORCE PER TERMINAL TO BE 60 N.



2.2	H9, HIGH BEAM, DOUBLE SLOT	VYDYNE 22HSP BK02 PN 703561-1	BLACK	1732003-2
2.2	H11, LOW BEAM, SINGLE SLOT	VYDYNE 22HSP NATA PN 703561-2	NATURAL	1732003-1
WEIGHT (g)	TYPE	MATERIAL	COLOR	PART NUMBER

THIS DRAWING IS A CONTROLLED DOCUMENT.		DWN: R. SANTOSH 18MAY2012	TE Connectivity
DIMENSIONS: mm		CHK: D. LAZURAN 18MAY2012	
TOLERANCES UNLESS OTHERWISE SPECIFIED: 0 PLC ± 1 PLC ±0.2 2 PLC ±0.10 3 PLC ± 4 PLC ± ANGLES ±1°		APVD: L. LORDACHE 18MAY2012	NAME: HOUSING, 2 WAY, H9/H11, GMX 211
MATERIAL: 1		FINISH: -	RESTRICTED TO: -
CUSTOMER DRAWING		SCALE: 6:1	SHEET 1 OF 1 REV: A3