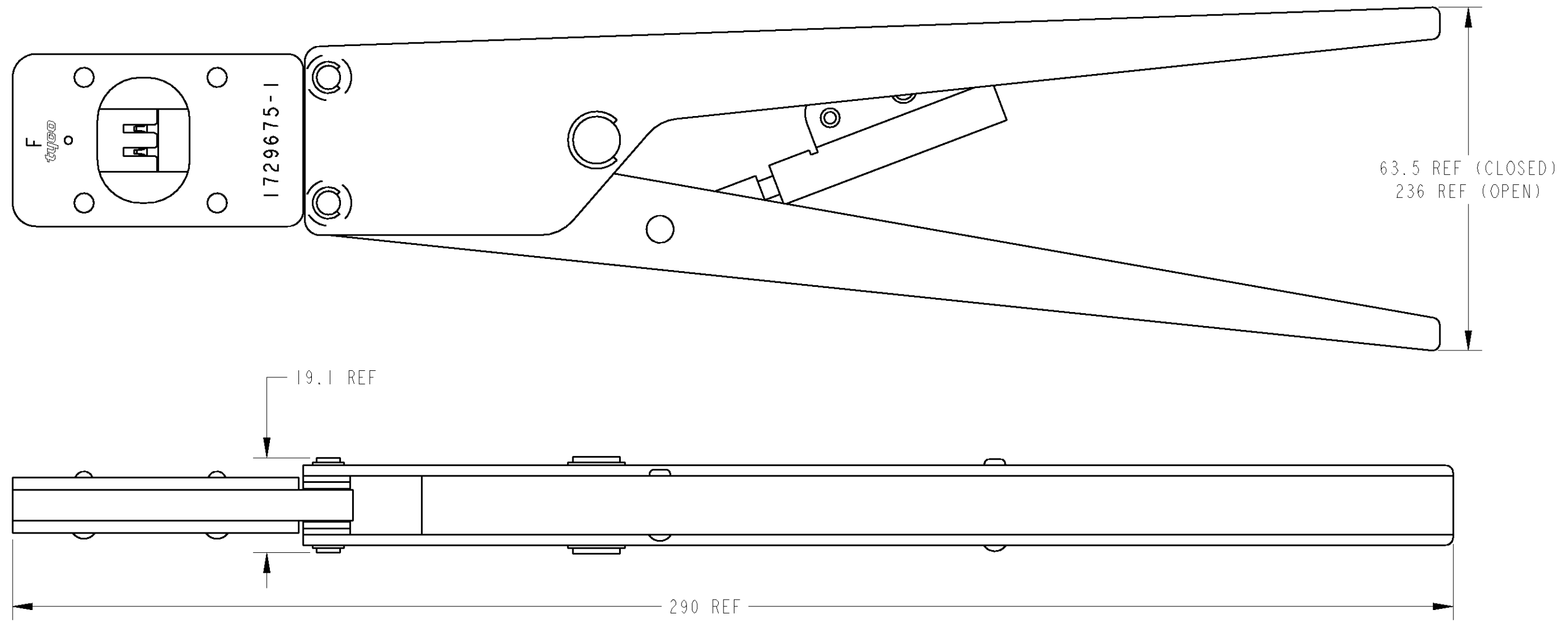


THIS DRAWING IS UNPUBLISHED. RELEASED FOR PUBLICATION 20
 © COPYRIGHT 20 BY TYCO ELECTRONICS CORPORATION. ALL RIGHTS RESERVED.

LOC	DIST	REVISIONS				
P	LTR	DESCRIPTION	DATE	DWN	APVD	
J	-	0	RELEASED FJC0-0320-04	01-Nov-04	J.K	S.Y

-1: AS SHOWN(本図)



CRIMP SYMBOL	TERMINAL NO	WIRE SIZE AWG(mm ²)	INS RANGE (mm)	TERMINAL CH(mm)		IS NO	APPL SPEC	WEIGHT (g)
	STRIP			WIRE	INS			
圧着部記号	適用端子型番	電線サイズ	絶縁被覆径	圧着高さ		取扱説明書番号	取付適用規格	重量
	連鎖状			芯線部	被覆部			
A	1746971-1	#16 (1.23-1.38)	2.0-3.2	1.44-1.60	3.17REF	411-78176	114-5356	550
B	1746973-1	#14 (2.08-2.18)	2.8-3.75	1.68-1.84	3.7REF			

THIS DRAWING IS A CONTROLLED DOCUMENT FOR TYCO ELECTRONICS CORPORATION. IT IS SUBJECT TO CHANGE AND THE CONTROLLING ENGINEERING ORGANIZATION SHOULD BE CONTACTED FOR THE LATEST REVISION.

DIMENSIONS: mm	TOLERANCES UNLESS OTHERWISE SPECIFIED:	DWN J.KOGA 01-Nov-04	Tyco Electronics AMP K.K. Kawasaki, Japan											
<table border="1"> <tr><td>0 PLC</td><td>±</td></tr> <tr><td>1 PLC</td><td>±</td></tr> <tr><td>2 PLC</td><td>±</td></tr> <tr><td>3 PLC</td><td>±</td></tr> <tr><td>4 PLC</td><td>±</td></tr> <tr><td>ANGLES</td><td>±</td></tr> </table>	0 PLC	±		1 PLC	±	2 PLC	±	3 PLC	±	4 PLC	±	ANGLES	±	FINISH
0 PLC	±													
1 PLC	±													
2 PLC	±													
3 PLC	±													
4 PLC	±													
ANGLES	±													
MATERIAL		APVD S.YABE 01-Nov-04	NAME STRAIGHT ACTION HAND TOOL (GIC 6.2mm Pitch W-W Contact, #14-16)											
		PRODUCT SPEC -	SIZE A3 CAGE CODE 00779 DRAWING NO C-1729675 RESTRICTED TO -											
		APPLICATION SPEC -	SCALE - SHEET 1 OF 1 REV 0											
		WEIGHT -	CUSTOMER DRAWING											