

THIS DRAWING IS UNPUBLISHED.
DIFFUSION RESTREINTE

RELEASED FOR PUBLICATION
LIBRE A LA DIFFUSION

20

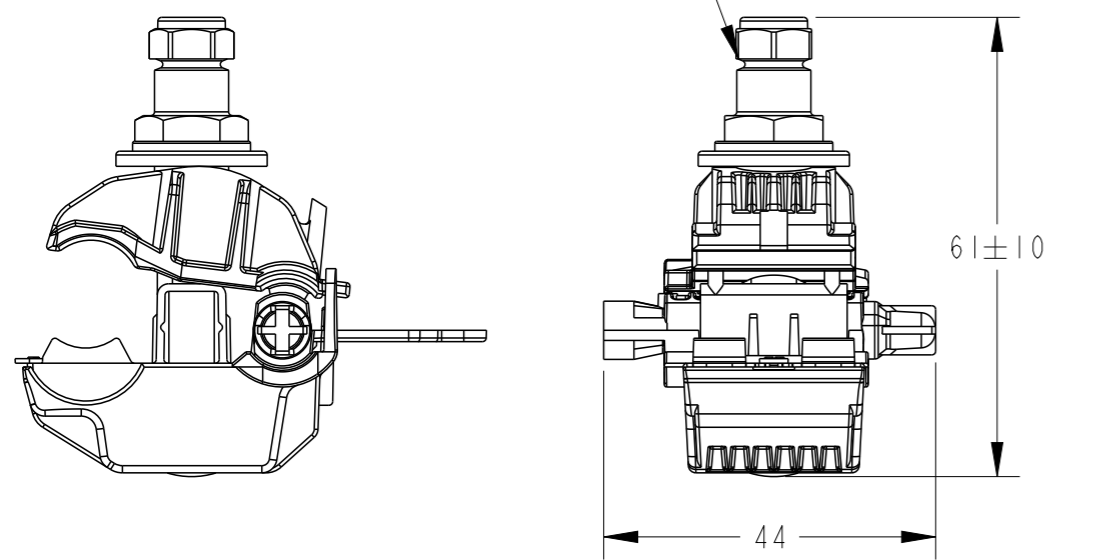
© COPYRIGHT 20 BY -

ALL RIGHTS RESERVED.
TOUS DROITS RESERVES

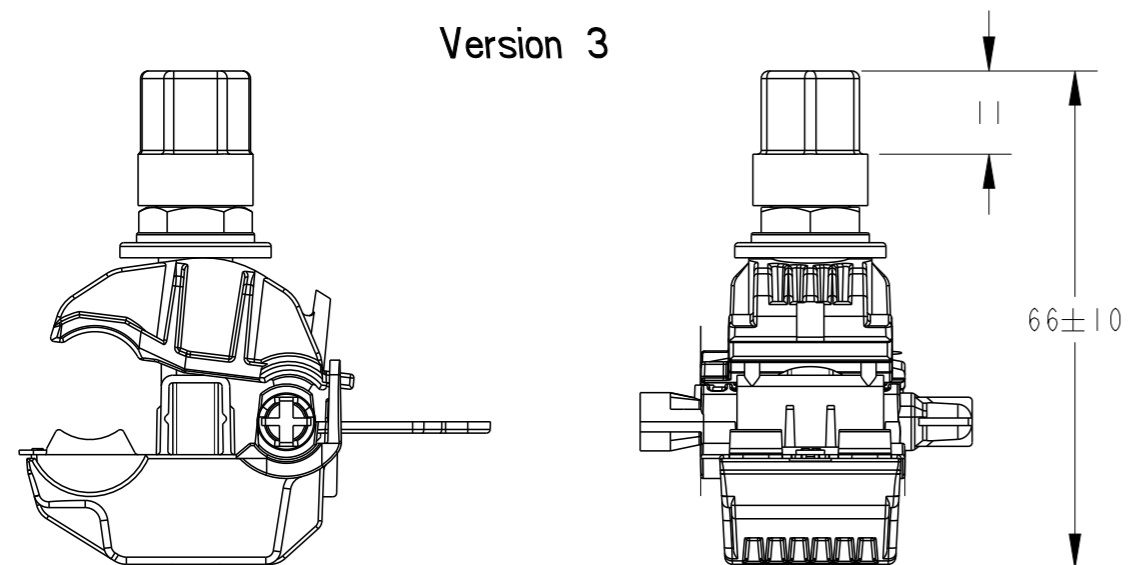
REVISIONS

P	LTR REV	DESCRIPTION MODIFICATIONS	DATE	DWN DESS.	APVD APP.
	F	MODIF TABLEAU	31MAR2008	FM	GP
	G	ECR-13-006957	30APR2013	RB	GN
	H	ECR-14-007451	19MAY2014	NH	AG
	J	ECR-20-014218	07OCT2020	JB	GN

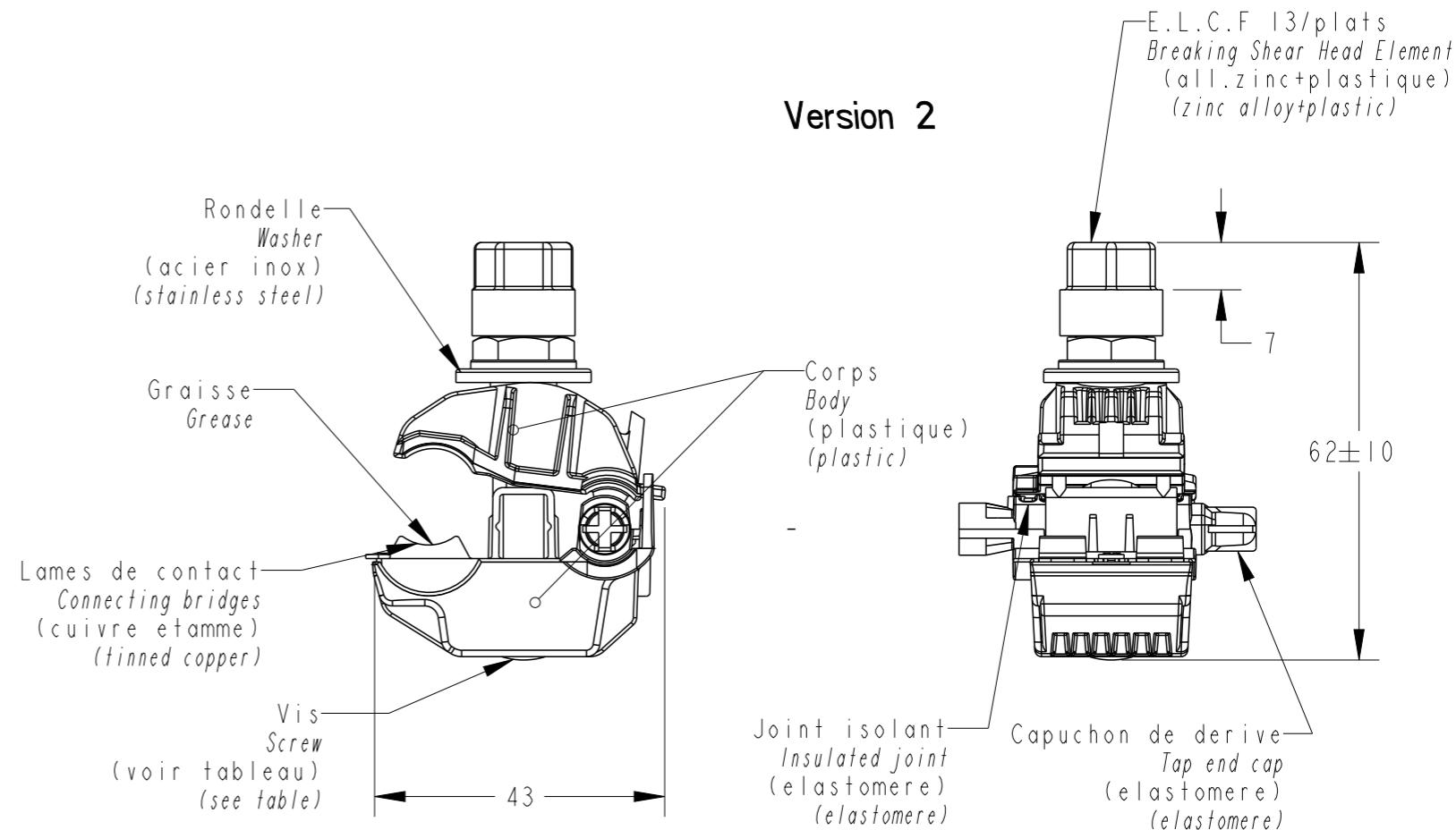
Version 1



Version 3



Version 2



PN	REFERENCE	Capacities mm2		Version	Matière Vis Screw raw material	Couple rupture ELCF Breaking shear head torque	Cle serrage hexagonale Hexagonal wrench
		Principal Main	Derive Tap				
1727912-1	EP95	16-95	1,5-10	Version1	Acier protégé Protected steel	6,6 to 8 Nm	10 mm
1727912-2	EP35	2,5-35	1,5-6				
1727912-3	EP95-13	16-95	1,5-10	Version2		6,6 to 8 Nm	13 mm
1727912-4	EP35-13	2,5-35	1,5-6				
1727912-5	EP95-13(par12)	16-95	1,5-10	Version1		6,6 to 8 Nm	10 mm
1727912-6	EP35 IPC-S	2,5-35	1,5-6				
1727912-7	EP95 IPC-M	16-95	1,5-10	Version2		6,6 to 8 Nm	13 mm
1727912-8	EP95-13 MP	16-95	1,5-10				
1-1727912-2	EP95-13 SH	16-95	1,5-10	Version3	Acier Inox Stainless steel	6,6 to 8 Nm	13 mm
1-1727912-7	EP95-13(B200)	16-95 (10Cu)	1,5-10	Version2	Acier protégé Protected steel	6,6 to 8 Nm	13 mm

THIS DRAWING IS A CONTROLLED DOCUMENT.
CE PLAN EST UN DOCUMENT CONTROLE PAR TYCO ELECTRONICS CORPORATION.
IL EST SUSCEPTIBLE D'ETRE REVISE. POUR OBTENIR LA DERNIERE REVISION,
CONTACTER LE SERVICE TECHNIQUE DE TYCO ELECTRONICS SIMEL SAS,
21220 GEVREY-CHAMBERTIN, FRANCE

DIMENSIONS: mm	TOLERANCES UNLESS OTHERWISE SPECIFIED: TOLERANCES NON SPECIFIEES (SUIV NB DE DECIMALES): 0 PLC/DEC: ±0 1 PLC/DEC: ±0 2 PLC/DEC: ±0 3 PLC/DEC: ±0 4 PLC/DEC: ±0 ANGLES ±-
MATERIAL MATIERE	FINISH FINITION

DWN/DESSINE ANDRE	24MAR2005
CHK/VERIFIE DEREY	-
APVD/APPROUVE NEDELLEC	-
PRODUCT SPEC SPEC. PRODUIT	-
APPLICATION SPEC SPEC. APPLICATION	-
WEIGHT MASSE APPROX.	54
Customer Drawing /PLAN CLIENT	

TOLERANCES UNLESS OTHERWISE SPECIFIED
TOLERANCES NON SPECIFIEES: -

STE TE Connectivity

NAME TITRE: EP 35/95 ...

SIZE FORMAT A3	CAGE CODE -	DRAWING NO No PLAN C=1727912	RESTRICTED TO RESERVE A -
UNIQUEMENT POUR REFERENCE	SCALE ECHELLE 1:1	SHEET FEUILLE	OF DE
REV J			