

THIS DRAWING IS UNPUBLISHED.

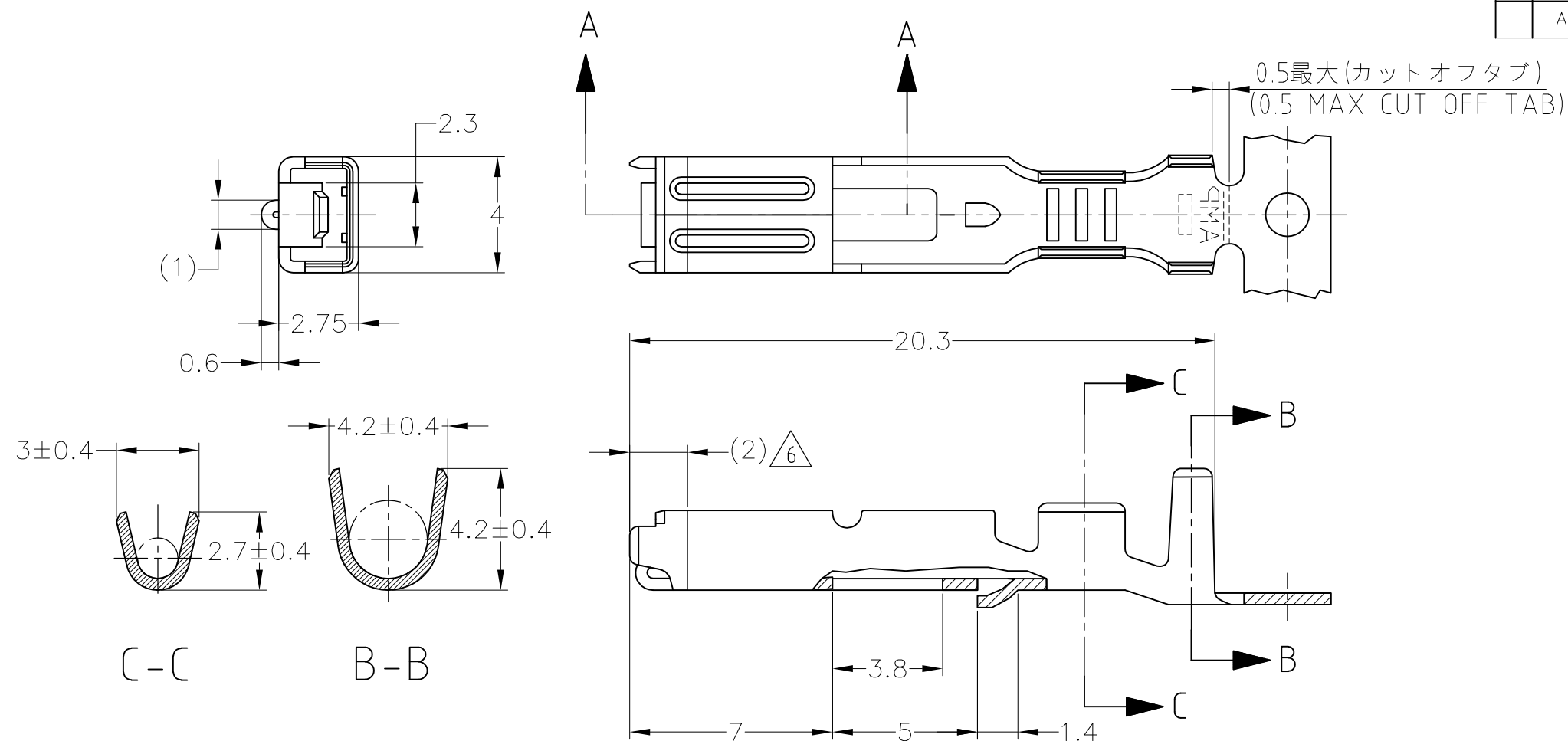
RELEASED FOR PUBLICATION APR ,2017.

REVISIONS

© COPYRIGHT 2017 Tyco Electronics Japan G.K.

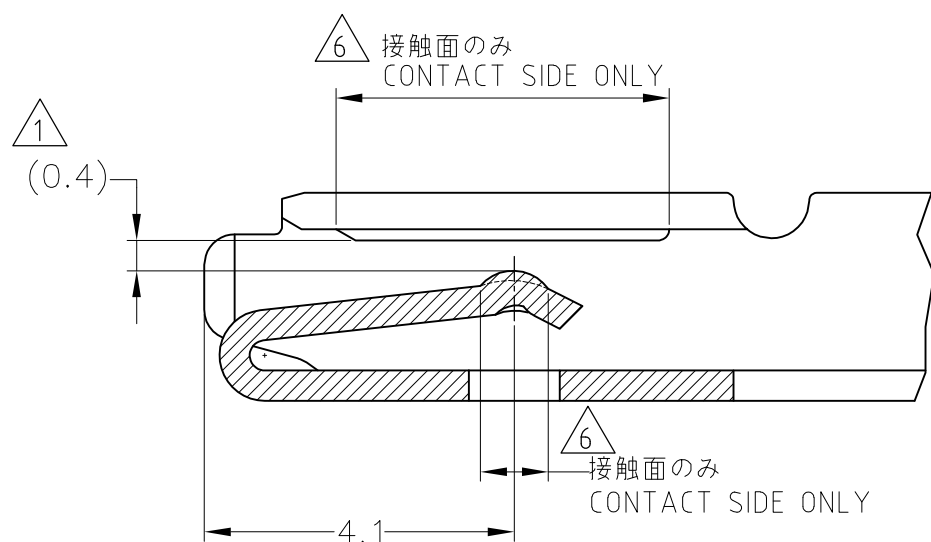
ALL RIGHTS RESERVED.

P	LTR	DESCRIPTION	DATE	DWN	APVD
	A	RELEASED	08MAR16	DM	TK



- △ 0.65t タブと嵌合
- 2. 嵌合相手タブ型番 172779, 172780
- 3. 製品規格 No.108-5165,5166
- 4. 取付適用規格 No.114-5071
- 5. 相手ハウジング型番 172500 他
- △ 部分金めっき

- △ MATE WITH 0.65t TAB.
- 2. MATE TAB P/N 172779,172780.
- 3. PRODUCT SPEC. No.108-5165,5166
- 4. APPLICATION SPEC. No.114-5071.
- 5. PLUG HSG P/N 172500 ETC.
- △ SELECTIVE GOLD PLATING



A-A SCALE 10: 1

WIRE RANGE	INSULATION DIA
0.3-0.89 mm ² (AWG #22-#18)	1.5-2.6 mm DIA

TOLERANCE UNLESS OTHERWISE SPECIFIED: 一般公差	
0 < x ≤ 10	: ±0.2
10 < x ≤ 30	: ±0.25
30 < x ≤ 100	: ±0.3
ANGLE ; 角度	: ±3°

THIS DRAWING IS A CONTROLLED DOCUMENT.

DIMENSIONS: mm	TOLERANCES UNLESS OTHERWISE SPECIFIED:
	0 PLC ± -
	1 PLC ± -
	2 PLC ± -
	3 PLC ± -
	4 PLC ± -
	ANGLES ± -
MATERIAL SEE TABLE	FINISH SEE TABLE

DWN	D.MATSUURA	08MAR16
CHK	S.IWATANI	08MAR16
APVD	T.KOHNO	08MAR16
PRODUCT SPEC	SEE NOTE	
APPLICATION SPEC	-	
WEIGHT	-	
CUSTOMER DRAWING		

172776-2	部分金メッキ SELECTIVE GOLD △ 6	黄銅 BRASS	172775-2	1
バラ状端子型番 L-P NO.	仕上 FINISH	材料 MATERIAL	型番 PART NUMBER	項番 ID



NAME				RECEPTACLE CONTACT MULTI INTER LOCK CONNECTOR MARK II	
SIZE	CAGE CODE	DRAWING NO	RESTRICTED TO		
A3	00779	C-172775-2	-		
SCALE 5:1		SHEET 1 OF 1	REV A		