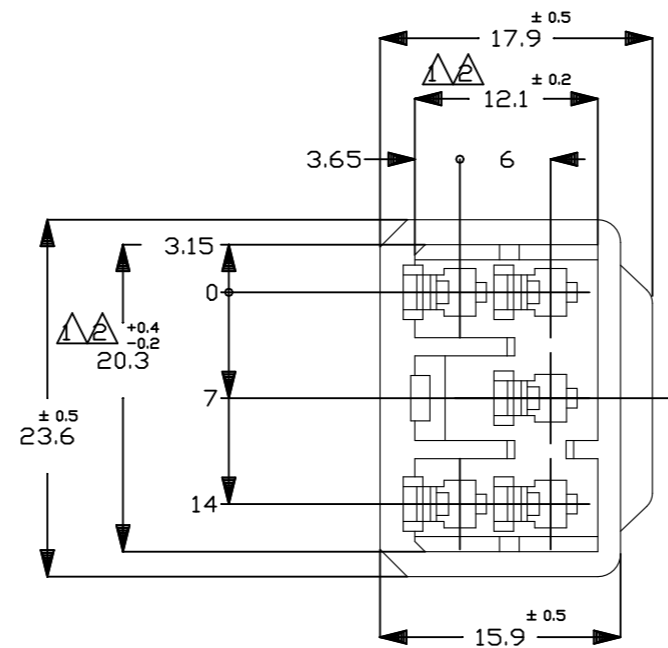
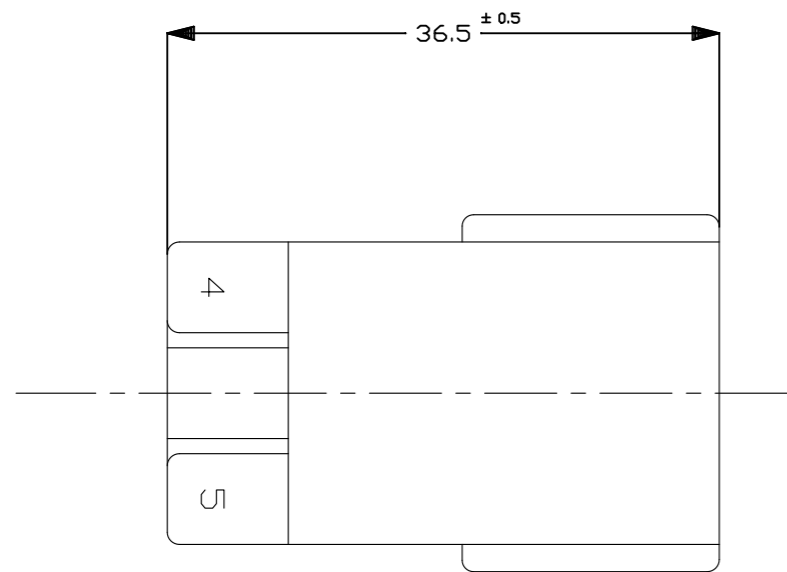


P	LTR	DESCRIPTION	DATE	DWN	APVD
	B1	REVISED PER ECR-23-165252	30JAN2023	RK	MT

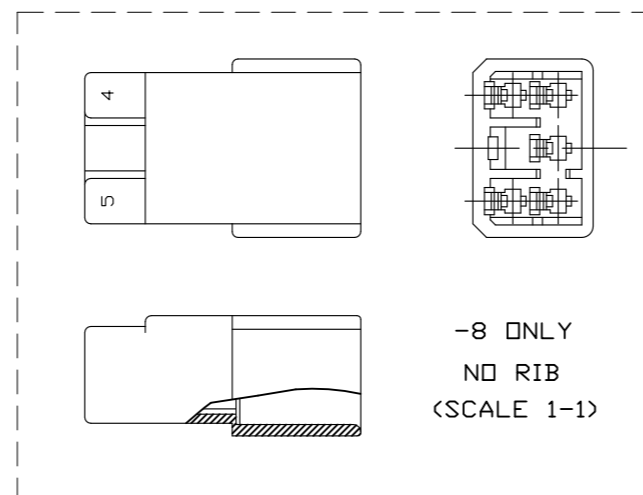
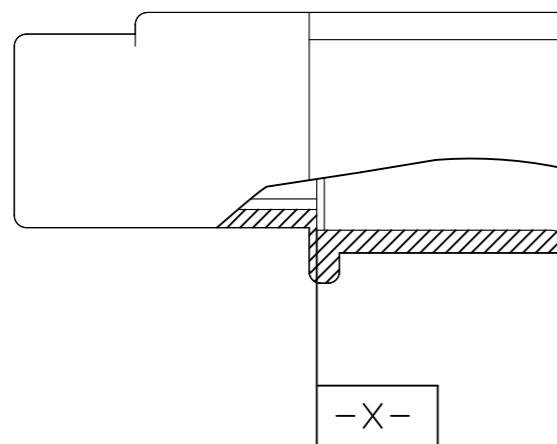


NOTES;

- ① TO BE MEASURED WITH IN 2mm FROM $\square A$
- ② IN COUPLING WITH THE PLUG HOUSING MATING SATISFIES FUNCTION
- 3 APPLIED CONTACT P/N 172777,172779
- 4 PRODUCT SPEC No. 108-5166
- 5 IN COUPLING WITH THE PLUG HOUSING MATING FORCE 29.4N(3Kgf)MAX. WITHOUT REC CONTACT

注；

- ① $\square A$ 面より2mmの範囲で測定
- ② 相手ハウジングと所定の機能を満たして嵌合できること
- 3 内装するタブコンタクト型番172777,172779他
- 4 製品規格 NO.108-5166
- 5 相手ハウジングとの嵌合力は29.4N(3Kgf)以下
但しタブコンタクトは含まない



Color	PN	Color
自然色(NATURAL)	172504-8	自然色(NATURAL)
黄(YELLOW)	172504-7	黄(YELLOW)
灰(GRAY)	172504-6	灰(GRAY)
青(BLUE)	172504-5	青(BLUE)
緑(GREEN)	172504-4	緑(GREEN)
茶(BROWN)	172504-3	茶(BROWN)
黒(BLACK)	172504-2	黒(BLACK)
自然色(NATURAL)	172504-1	自然色(NATURAL)
番号(PN)		色(COLOR)

THIS DRAWING IS A CONTROLLED DOCUMENT.

DIMENSIONS:	TOLERANCES UNLESS OTHERWISE SPECIFIED:
mm	
	0 PLC ± -
	1 PLC ± -
	2 PLC ± -
	3 PLC ± -
	4 PLC ± -
	ANGLES ± -
	FINISH ± -
MATERIAL	
(NYLON)	

一般公差
(GENERAL TOLERANCE)

10以下: ±0.2
10~30: ±0.25
30~100: ±0.3
角度 ±3°

DWN	K.YUASA	10/12'92	TE Connectivity
CHK	A.TOMITA	10/12'92	
APVD	A.TOMITA	10/12'92	
PRODUCT SPEC			
APPLICATION SPEC			NAME
			5 Pos. CAP HOUSING MULTI-INTERLOCK CONN. (MIC-MKII)
WEIGHT	-		SIZE
			A3
			CAGE CODE
			00779
			DRAWING NO
			C-172504
			RESTRICTED TO
			-
CUSTOMER DRAWING	SCALE	2:1	SHEET
			1 OF 1
			REV
			B1