

THIS DRAWING IS UNPUBLISHED. RELEASED FOR PUBLICATION

© COPYRIGHT - By - TE CONNECTIVITY

ALL RIGHTS RESERVED.

LOC HB

DIST -

REVISIONS

P	LTR	DESCRIPTION	DATE	DWN	APVD
F		REMOVED THE RIB ON THE BASE TO CASE ECO-15-011310	04DEC2015	HYS	CHL



PART A

**TE**

OJE-SH-112HM-WG



12V

**UL** us

10A 250V ~

**DE**

**CCC**

OEG C

LOT NO.

SEE NOTE 5.

PART B

14.90±0.5

0.30

3.80±0.3

0.45

0.3

0.3

18.2±0.5

10.2±0.5

7.6±0.2

12.7±0.2

2.54±0.2

1.71

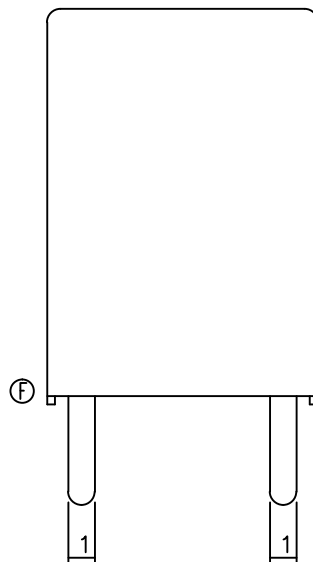
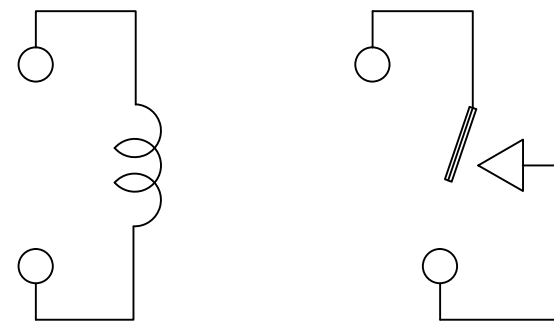


Diagram dimension	Tolerance
0.99mm max.	±0.1mm
1 - 2.99mm	±0.2mm
3mm min.	±0.3mm



CONNECTION FIGURE

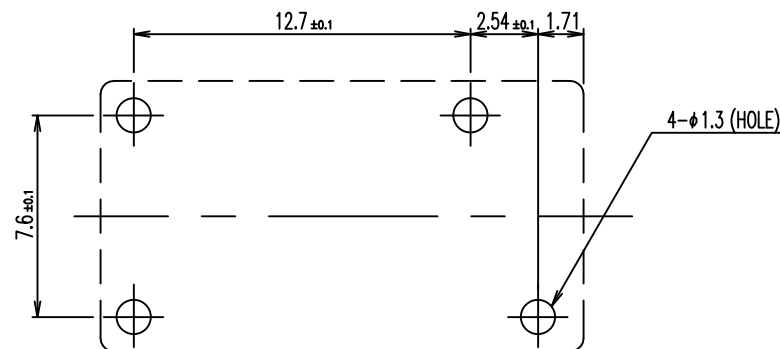


FIGURE FOR PRINTED CIRCUIT BOARD PROCESSING (BOTTOM VIEW)

THIS DRAWING IS A CONTROLLED DOCUMENT.

DWN Hu Fengsheng

CHK Yu.Banghua

APVD Zhang.Sunny

PRODUCT SPEC

APPLICATION SPEC

WEIGHT

CUSTOMER DRAWING

**TE** TE Connectivity

NAME

OJE-SS-HM-WG SPEC.000

SIZE CAGE CODE DRAWING NO RESTRICTED TO

A3 00779 C= 1721876

SCALE 5:1 SHEET 1 OF 2 REV F

THIS DRAWING IS UNPUBLISHED. RELEASED FOR PUBLICATION -,-  
 © COPYRIGHT - By - TE CONNECTIVITY ALL RIGHTS RESERVED.

LOC	DIST	REVISIONS					
HB	-	P	LTR	DESCRIPTION	DATE	DWN	APVD
		-		SEE SHEET 1	-	-	-

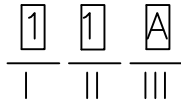
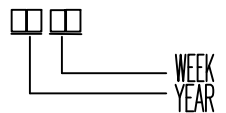
ⓑ	1-1721786-4	OJE-SS-124HM-WG	24V	OJE-SS-124HM-WG	107-79108	n
ⓑ	1-1721786-3	OJE-SS-118HM-WG	18V	OJE-SS-118HM-WG	107-79108	m
ⓑ	1-1721786-2	OJE-SS-112HM-WG	12V	OJE-SS-112HM-WG	107-79108	l
ⓑ	1-1721786-1	OJE-SS-109HM-WG	9V	OJE-SS-109HM-WG	107-79108	k
ⓑ	1-1721786-0	OJE-SS-106HM-WG	6V	OJE-SS-106HM-WG	107-79108	j
ⓑ	1721786-9	OJE-SS-105HM-WG	5V	OJE-SS-105HM-WG	107-79108	i
ⓑ	1721786-8	OJE-SS-103HM-WG	3V	OJE-SH-103HM-WG	107-79108	h
	1721786-7	OJE-SH-124HM-WG	24V	OJE-SH-124HM-WG	107-79108	g
	1721786-6	OJE-SH-118HM-WG	18V	OJE-SH-118HM-WG	107-79108	f
	1721786-5	OJE-SH-112HM-WG	12V	OJE-SH-112HM-WG	107-79108	e
	1721786-4	OJE-SH-109HM-WG	9V	OJE-SH-109HM-WG	107-79108	d
	1721786-3	OJE-SH-106HM-WG	6V	OJE-SH-106HM-WG	107-79108	c
	1721786-2	OJE-SH-105HM-WG	5V	OJE-SH-105HM-WG	107-79108	b
	1721786-1	OJE-SH-103HM-WG	3V	OJE-SH-103HM-WG	107-79108	a
TE PART NO	DESCRIPTION	PART B	PART A	PACKING SPEC	TYPE	

RELAY TYPE

		UV RESIN	SEAL (VENT HOLE)	16
		EPOXY RESIN	SEAL (BASE & BOBBIN)	15
		MW79	MAGNETIC WIRE	14
94V-0		NYLON	CASE	13
94V-0		P.E.T	BASE	12
94V-0		NYLON	BOBBIN	11
	SOLDER DIP	C.P WIRE	COIL TERMINAL	10
94V-0		P.P.S	CARD	9
		Ag ALLOY	MOVABLE CONTACT	8
		Ag	NO.CONTACT	7
		STEEL	HINGE SPRING	6
	SOLDER DIP	PBP	NO.TERMINAL	5
	SOLDER DIP	Cu ALLOY	MOVABLE SPRING	4
	NIP	STEEL	CORE	3
	NIP	STEEL	ARMATURE	2
	NIP	STEEL	YOKE	1
INCOMBUSTIBILITY	TREATMENT	MATERIAL	DESCRIPTION	ITEM

ⓑ NOTES:

1.LOT NO. SYSTEM AS FOLLOWING: ⓓ5.ADD LOT NO. SYSTEM AS FOLLOWING;



I, DIGITS FOR DAY OF THE WEEK  
 1...MONDAY IN THIS WEEK;  
 2...TUESDAY IN THIS WEEK;  
 .....  
 7...SUNDAY IN THIS WEEK

ⓓ2.TERMINAL DIMENSION IS BEFORE SOLDER DIP;

ⓓ3.FOR THE TIN-PLATING OF THE PINS:  
 +0.1mm FOR WIDTH,THICKNESS AND DIAMETER.  
 +0.5mm FOR LENGTH.

ⓓ4.MARKING FROM INK TO LASER AND WELDED CONTACT

II, DIGITS FOR SHIFT OF THE DAY  
 1...DAY SHIFT IN THIS DAY;  
 2...NIGHT SHIFT IN THIS DAY;  
 III, ONE CHARACTER DISTINGUISH THE LINE  
 IDENTITY,  
 SUCH AS: A,B,....Z

THIS DRAWING IS A CONTROLLED DOCUMENT.

DIMENSIONS: mm	TOLERANCES UNLESS OTHERWISE SPECIFIED:
	0 PLC ± -
	1 PLC ± -
	2 PLC ± -
	3 PLC ± -
	4 PLC ± -
	ANGLES ± -
MATERIAL	FINISH
-	-

DWN	Hu Fengsheng	-
CHK	Yu,Banghua	-
APVD	Zhang,Sunny	-
PRODUCT SPEC	-	-
APPLICATION SPEC	-	-
WEIGHT	-	-
CUSTOMER DRAWING	-	-

TE Connectivity			
NAME			
OJE-SS-HM-WG SPEC.000			
SIZE	CAGE CODE	DRAWING NO	RESTRICTED TO
A3	00779	1721876	-
SCALE		SHEET	REV
5:1		2 OF 2	F