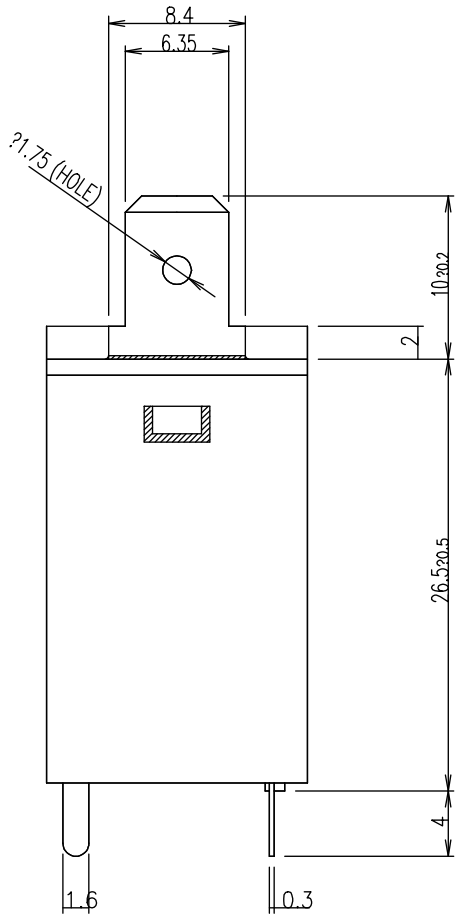
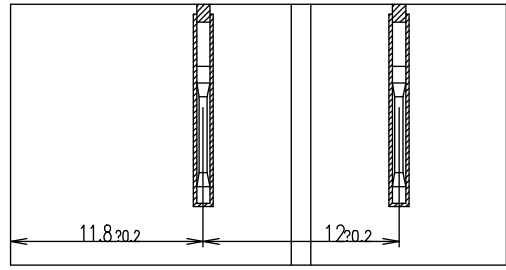
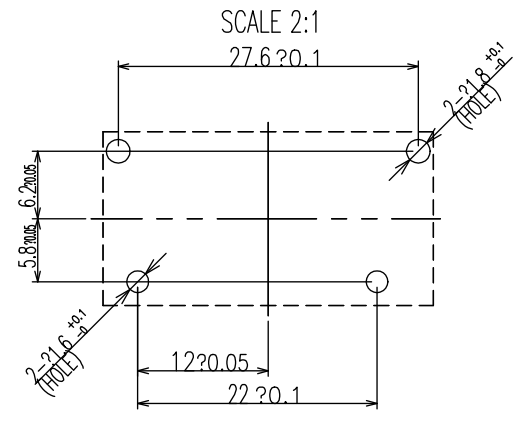


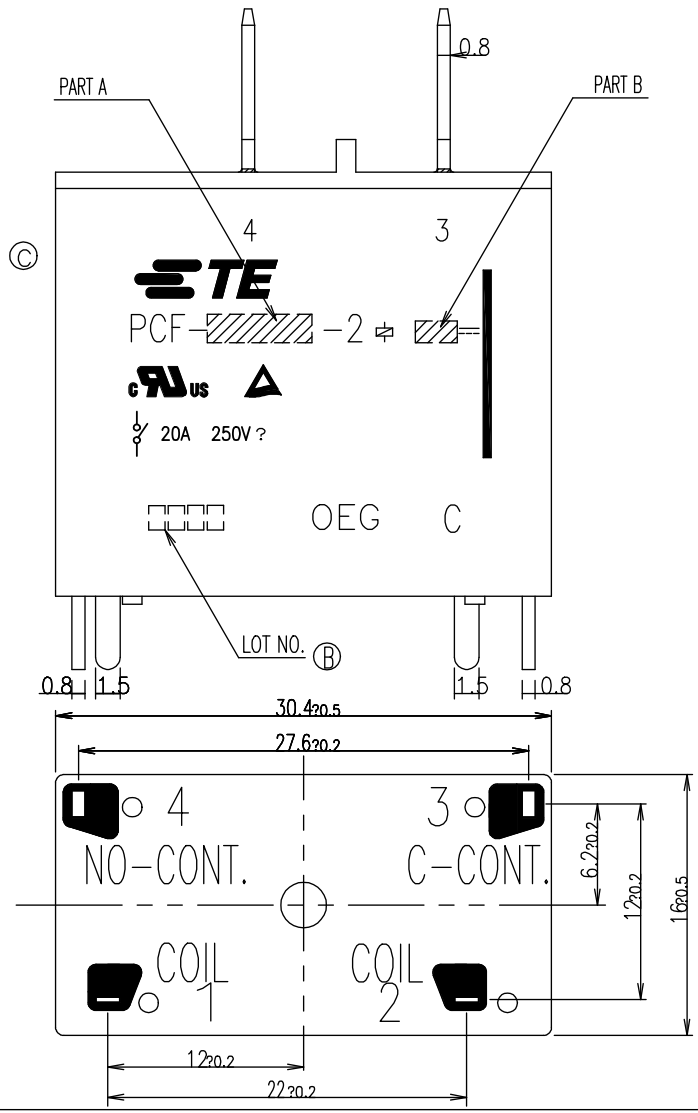
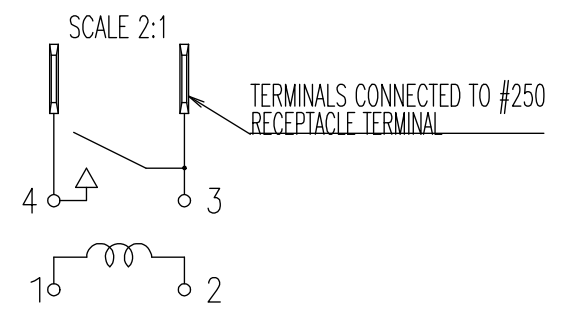
LOC HB		DIST		REVISIONS					
P	LTR	DESCRIPTION	ECO	DATE	DWN	APVD			
	B	CHANGE DATE CODE&TE LOGO	ECO-08-007869	17-APR-08	CY.Z	BH.Y			
	C	TE LOGO CHANGE;	ECO-18-008295	30-MAY-18	TOD	K.T			



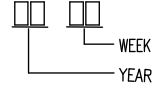
DRILLING DIAGRAM (BOTTOM VIEW)



CONNECTION DIAGRAM (BOTTOM VIEW)



① LOT NO. SYSTEM AS FOLLOWING:



THIS DRAWING IS A CONTROLLED DOCUMENT FOR TYCO ELECTRONICS CORPORATION IT IS SUBJECT TO CHANGE AND THE CONTROLLING ENGINEERING ORGANIZATION SHOULD BE CONTACTED FOR THE LATEST REVISION.		DWN	SHIMING.CHEN
DIMENSIONS: mm		CHK	XIAONING.ZHANG
TOLERANCES UNLESS OTHERWISE SPECIFIED:		APVD	CHIENHUI.HSU
0 PLC		PRODUCT SPEC	SEE PRODUCT SPEC
1 PLC		APPLICATION SPEC	
2 PLC		WEIGHT	
3 PLC		CUSTOMER DRAWING	
4 PLC		FINISH	
ANGLES			
FINISH			
??			

THIS DRAWING IS A CONTROLLED DOCUMENT FOR TYCO ELECTRONICS CORPORATION IT IS SUBJECT TO CHANGE AND THE CONTROLLING ENGINEERING ORGANIZATION SHOULD BE CONTACTED FOR THE LATEST REVISION.		DWN SHIMING.CHEN		TE Connectivity	
		CHK XIAONING.ZHANG			
		APVD CHIENHUI.HSU		NAME	
		PRODUCT SPEC SEE PRODUCT SPEC		PCF-D2M-2 (VA TYPE) CUSTOMER DRAWING	
		APPLICATION SPEC			
		WEIGHT		RESTRICTED TO	
		FINISH		SIZE A3	
				CAGE CODE 00779	
				DRAWING NO. 1721525	
				SCALE 3:1	
				SHEET 1 OF 2	
				REV C	

LOC	DIST	REVISONS					
HB		P	LTR	DESCRIPTION	DATE	DWN	APVD

1-1721525-2	PCF-148D2M-2,000B	107-79040	48V	148D2M	l
1-1721525-1	PCF-124D2M-2,000B		24V	124D2M	k
1-1721525-0	PCF-112D2M-2,000B		12V	112D2M	j
1721525-9	PCF-109D2M-2,000B		9V	109D2M	i
1721525-8	PCF-106D2M-2,000B		6V	106D2M	h
1721525-7	PCF-105D2M-2,000B		5V	105D2M	g
1721525-6	PCF-148D2M-2,000	107-79012	48V	148D2M	f
1721525-5	PCF-124D2M-2,000		24V	124D2M	e
1721525-4	PCF-112D2M-2,000		12V	112D2M	d
1721525-3	PCF-109D2M-2,000		9V	109D2M	c
1721525-2	PCF-106D2M-2,000		6V	106D2M	b
1721525-1	PCF-105D2M-2,000		5V	105D2M	a
TE PART NO	DESCRIPTION	PACKING SPEC	PART B	PART A	TYPE

RELAY TYPE

P.B.T	CASE	17
3JEW	MAGNETIC WIRE	16
EPOXY RESIN	SEAL	15
Cu ALLOY	HINGE SPRING	14
Cu ALLOY	COIL TERMINAL L	13
Cu ALLOY	COIL TERMINAL R	12
Ag ALLOY	C CONTACT	11
Ag ALLOY	M CONTACT	10
Cu ALLOY	C SPRING	9
Cu ALLOY	C TERMINAL	8
Cu ALLOY	M TERMINAL	7
P.P.S	CARD	6
P.B.T	BOBBIN	5
P.B.T	BASE	4
STEEL	CORE	3
STEEL	ARMATURE	2
STEEL	YOKE	1
MATERIAL	DESCRIPTION	ITEM

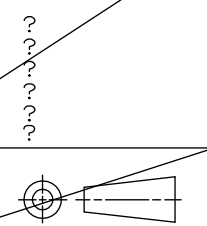

RELEASED FOR PUBLICATION

ALL RIGHTS RESERVED.

BY TYCO ELECTRONICS CORPORATION.

© COPYRIGHT

THIS DRAWING IS UNPUBLISHED.

<p>DIMENSIONS:</p> <p>TOLERANCES UNLESS OTHERWISE SPECIFIED:</p> <p>0 PLC 1 PLC 2 PLC 3 PLC 4 PLC ANGLES</p> 	DWN	K.OKADO	MATERIAL	FINISH
	CHK	H.SASAKI		
	APVD	A.NAGAI		
	PRODUCT SPEC	NAME		
APPLICATION SPEC	PCF-D2M-2 (VA TYPE) CUSTOMER DRAWING			
WEIGHT	SIZE	CAGE CODE	DRAWING NO	RESTRICTED TO
	A4	00779	C- 1721525	
CUSTOMER DRAWING			SCALE	SHEET 2 OF 2 REV C