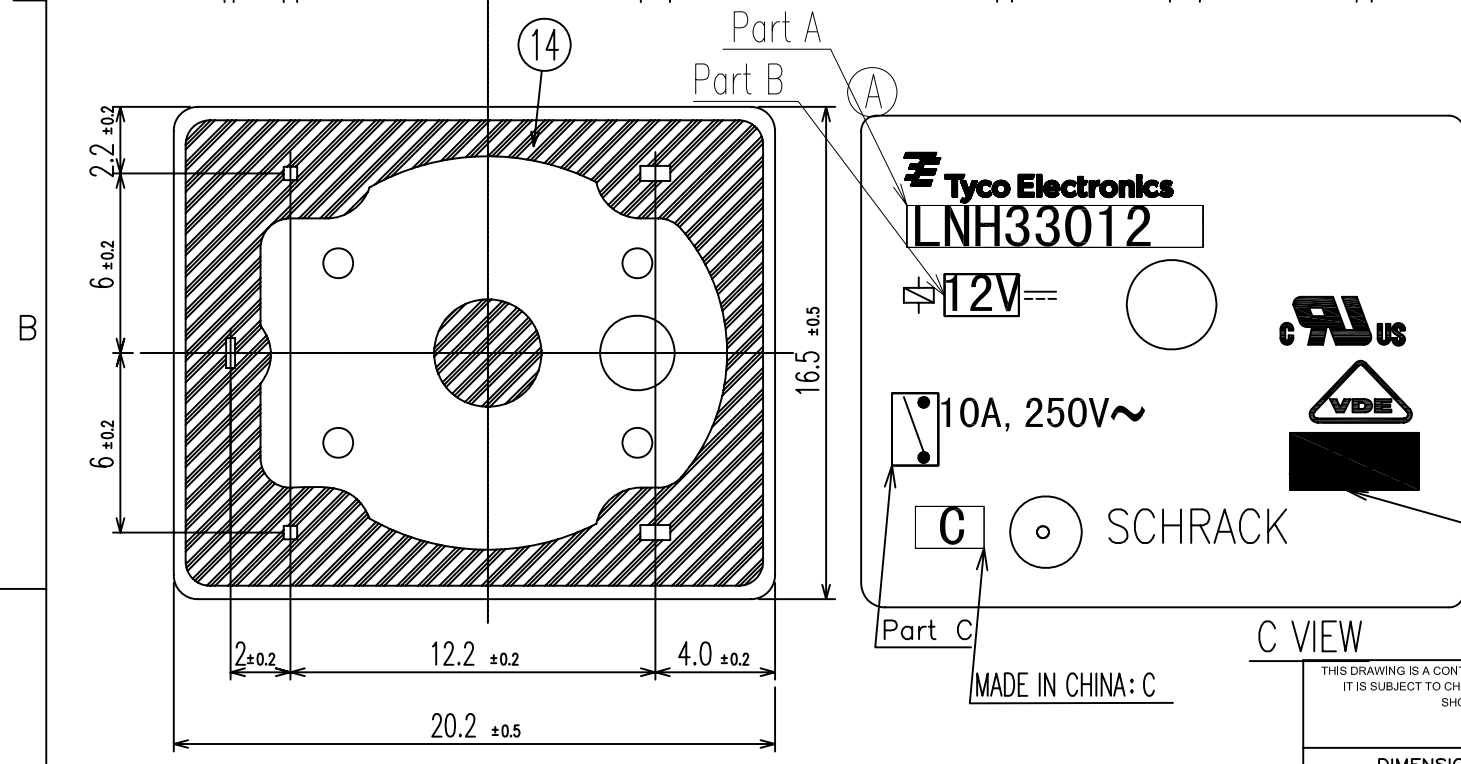
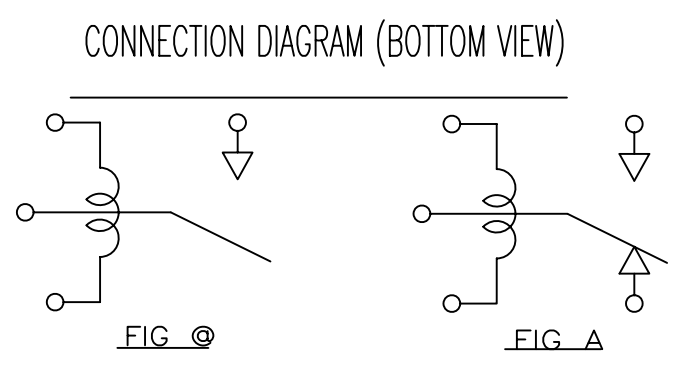
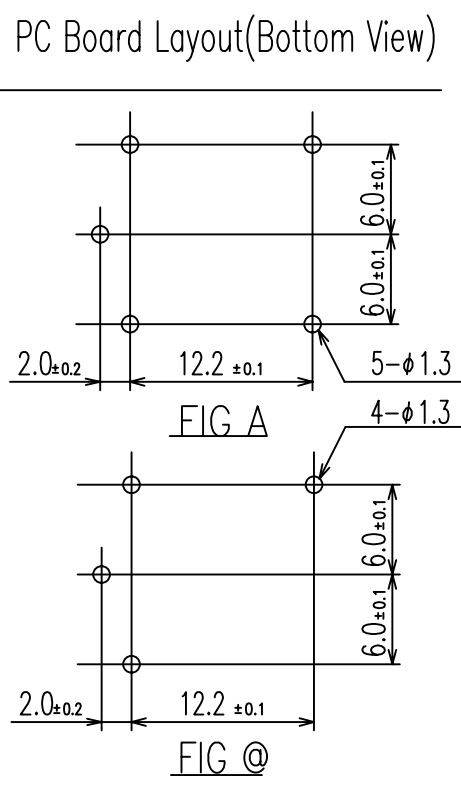
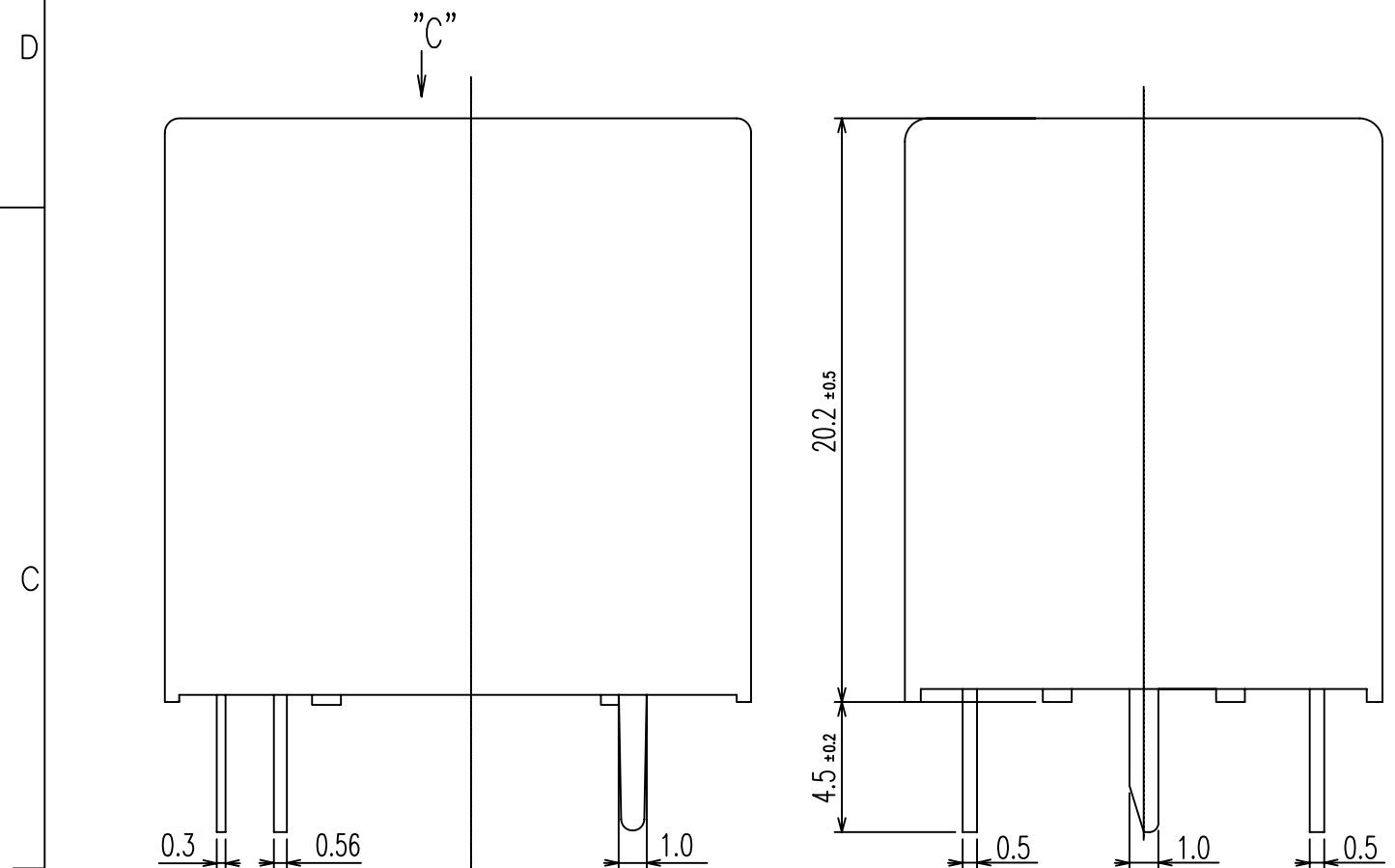


THIS DRAWING IS UNPUBLISHED. RELEASED FOR PUBLICATION  
 © COPYRIGHT BY TYCO ELECTRONICS CORPORATION. ALL RIGHTS RESERVED.

LOC		DIST		REVISIONS					
P	LTR	DESCRIPTION	ECN	DATE	DWN	APVD			
	O	RELEASED	FK00-0226-04	15-DEC-04	XL.H	MJ.H			
	A	CHANGE TE LOGO	ECO-08-013316	7-AUG-08	SZ,Z	BH,Y			



PART C (A)

FIG.	SYMBOL
3	
1	

FIG	TE PART NO	DESCRIPTION	PART B	PART A	TYPE
FIG 1	1-1721253-4	LNH13048	48VDC	LNH13048	n
FIG 1	1-1721253-3	LNH13036	36VDC	LNH13036	m
FIG 1	1-1721253-2	LNH13024	24VDC	LNH13024	l
FIG 1	1-1721253-1	LNH13012	12VDC	LNH13012	k
FIG 1	1-1721253-0	LNH13009	9VDC	LNH13009	j
FIG 1	1721253-9	LNH13006	6VDC	LNH13006	i
FIG 1	1721253-8	LNH13005	5VDC	LNH13005	h
FIG 3	1721253-7	LNH33048	48VDC	LNH33048	g
FIG 3	1721253-6	LNH33036	36VDC	LNH33036	f
FIG 3	1721253-5	LNH33024	24VDC	LNH33024	e
FIG 3	1721253-4	LNH33012	12VDC	LNH33012	d
FIG 3	1721253-3	LNH33009	9VDC	LNH33009	c
FIG 3	1721253-2	LNH33006	6VDC	LNH33006	b
FIG 3	1721253-1	LNH33005	5VDC	LNH33005	a

NOTE:  
 1. LOT NO. SYSTEM AS FOLLOWING:

Diagram dimension	Tolerance
0.99mm max.	±0.1mm
1 - 2.99mm	±0.2mm
3mm min.	±0.3mm


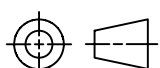
THIS DRAWING IS A CONTROLLED DOCUMENT FOR TYCO ELECTRONICS CORPORATION IT IS SUBJECT TO CHANGE AND THE CONTROLLING ENGINEERING ORGANIZATION SHOULD BE CONTACTED FOR THE LATEST REVISION.

DIMENSIONS: mm	TOLERANCES UNLESS OTHERWISE SPECIFIED:	DWN hu,xieli	Tyco Electronics Corporation ShenZhen, China
	0 PLC ±	CHK mak,simon	
MATERIAL SEE MATERIAL TABLE	1 PLC ±	APVD ho,mingjung	
	2 PLC ±	PRODUCT SPEC	
	3 PLC ±	APPLICATION SPEC	LNH(SRUUH-HOT) CD-FREE TYPE CUSTOMER DRAWING
	4 PLC ±	WEIGHT	SIZE A3 GAGE CODE DRAWING NO 1721253 RESTRICT TO
		CUSTOMER DRAWING	SCALE 5:1 SHEET 1 of 2 REV A

THIS DRAWING IS UNPUBLISHED. | RELEASED FOR PUBLICATION  
 © COPYRIGHT | BY TYCO ELECTRONICS CORPORATION. ALL RIGHTS RESERVED.

LOC HB	DIST	REVISIONS								
		P	LTR	DESCRIPTION	ECN	DATE	DWN	APVD		

n	m	l	k	j	i	h	g	f	e	d	c	b	a	INCOMBUSTIBILITY	TREATMENT	MATERIAL	DESCRIPTION	ITEM
AR	AR	AR	AR	AR	AR	AR	AR	AR	AR	AR	AR	AR	AR			EPOXY RESIN	SEAL	13
AR	AR	AR	AR	AR	AR	AR	AR	AR	AR	AR	AR	AR	AR			UEW	MAGNETIC WIRE	13
1	1	1	1	1	1	1	1	1	1	1	1	1	1	UL 94V-0		PBT	CASE	12
1	1	1	1	1	1	1	1	1	1	1	1	1	1	UL 94V-0		PET	BOBBIN	11
1	1	1	1	1	1	1	1	1	1	1	1	1	1			CP WIRE	COIL TERMINAL	10
2	2	2	2	2	2	2	1	1	1	1	1	1	1			AgSnIno	STATIONARY CONTACT	9
1	1	1	1	1	1	1	1	1	1	1	1	1	1			AgSnIno	MOVABLE CONTACT	8
							1	1	1	1	1	1	1			Cu	DUMMY B-TERMINAL	7
1	1	1	1	1	1	1										Cu	B-TERMINAL	6
1	1	1	1	1	1	1	1	1	1	1	1	1	1			Cu	M-TERMINAL	5
1	1	1	1	1	1	1	1	1	1	1	1	1	1			Cu ALLOY	MOVABLE SPRING	4
1	1	1	1	1	1	1	1	1	1	1	1	1	1		Ni PLATING	STEEL	CORE	3
1	1	1	1	1	1	1	1	1	1	1	1	1	1		Ni PLATING	STEEL	ARMATURE	2
1	1	1	1	1	1	1	1	1	1	1	1	1	1		Ni PLATING	STEEL	YOKE	1

THIS DRAWING IS A CONTROLLED DOCUMENT FOR TYCO ELECTRONICS CORPORATION IT IS SUBJECT TO CHANGE AND THE CONTROLLING ENGINEERING ORGANIZATION SHOULD BE CONTACTED FOR THE LATEST REVISION.		DWN hu,xieli CHK mak,simon APVD ho,mingjung PRODUCT SPEC APPLICATION SPEC WEIGHT		 Tyco Electronics Corporation ShenZhen, China	
DIMENSIONS: mm 		TOLERANCES UNLESS OTHERWISE SPECIFIED: 0 PLC ± 1 PLC ± 2 PLC ± 3 PLC ± 4 PLC ±		LN(HSRUUH-HOT) CD-FREE TYPE CUSTOMER DRAWING SIZE A3 GAGE CODE DRAWING NO 1721253 RESTRICT TO	
MATERIAL SEE MATERIAL TABLE		FINISH		SCALE 5:1 SHEET 2 OF 2 REV A	