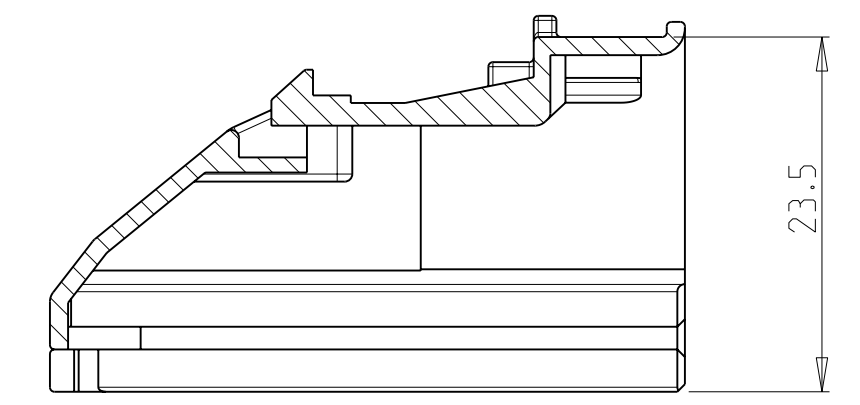
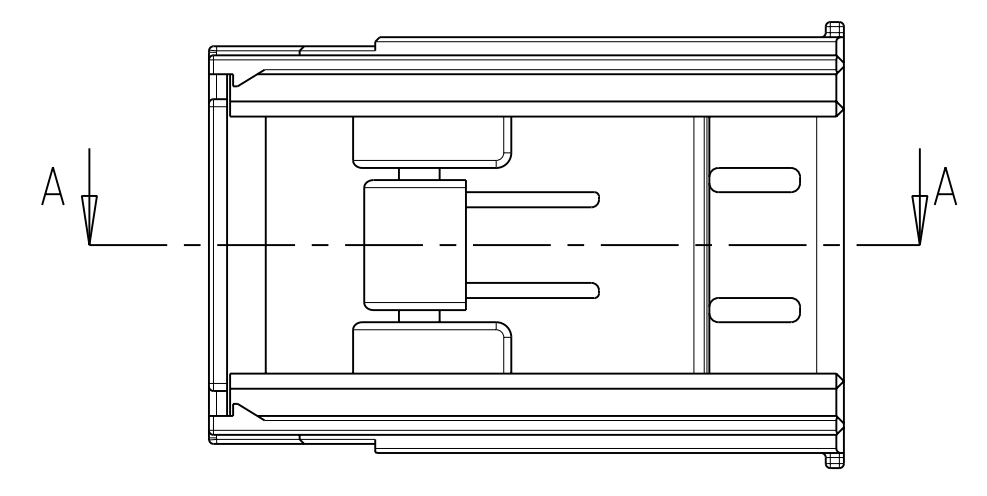
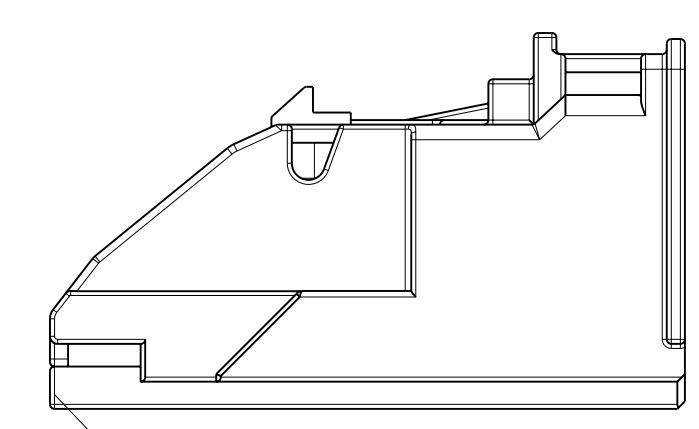
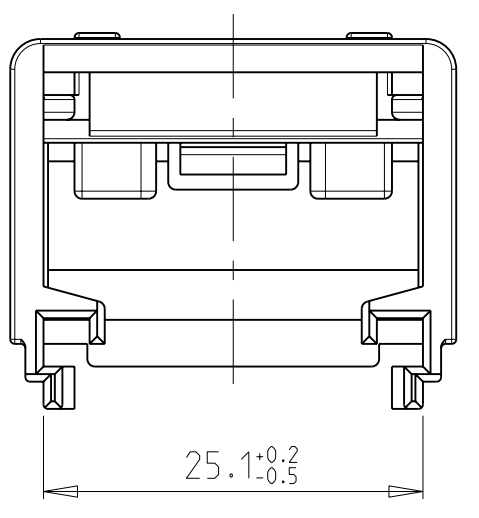


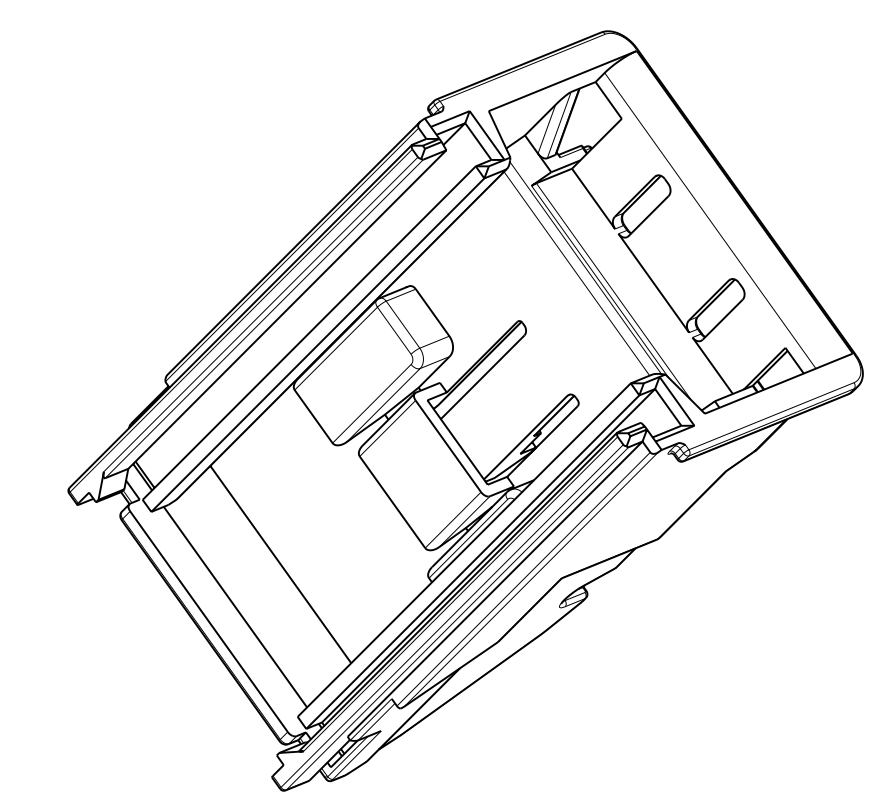
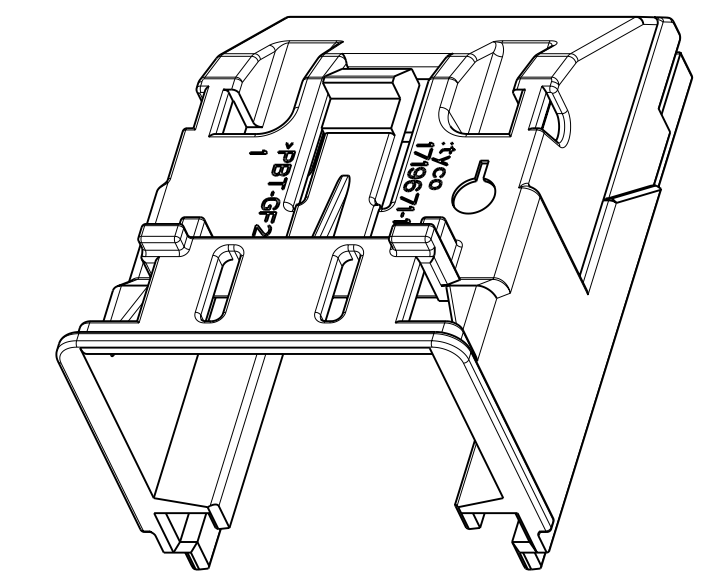
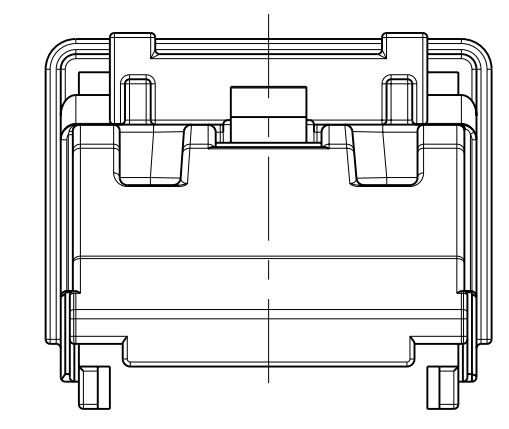
LOC	DIST	REVISIONS					
		P	LTB	DESCRIPTION	DATE	DWN	APVD
A1	-	A		NEW PART. NEW DRAWING	26MAY2006	MK	KR
		B		E-06-028097	04JAN2007	MK	KR
		B1		ECR-07-011418	15MAY2007	GP	GM
		B2		E-07-028159	22NOV2007	MK	GM



A-A

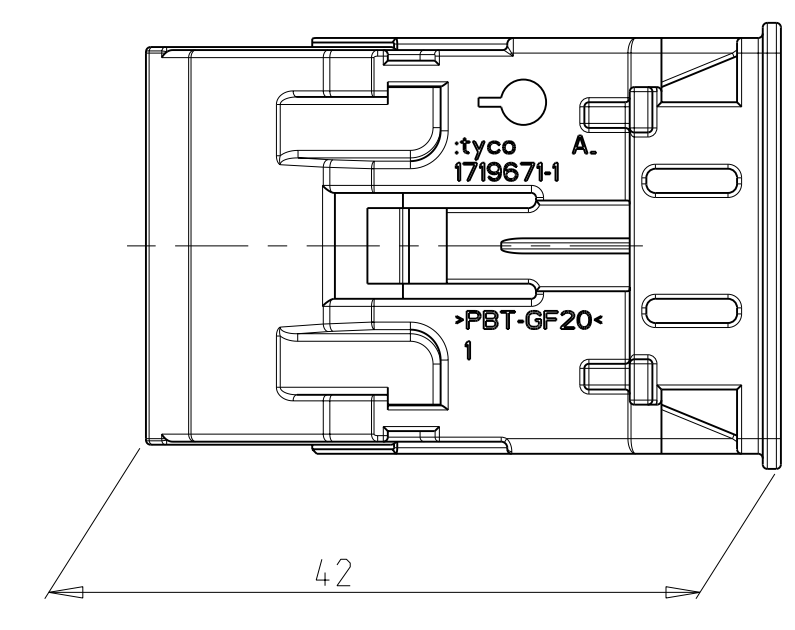


MEASURE POINT FOR DIMENSION 25.1



NOTES:
 Bemerkungen:

- PACKAGING: LOOSE PIECE IN CARDBOARD BOX
 Verpackung: Teile lose beigelegt in Karton
- MATED WITH:
 verwendet mit:
 REC. HSG. 48 POS. 0-1719678
 REC. HSG. 48 POS. 0-1719683
 REC. HSG. 48 POS. 0-1418416
 REC. HSG. 48 POS. 0-1670067
 REC. HSG. 48 POS. 0-1670068
 REC. HSG. 48 POS. 0-1670069



PART NO	REVISION	MATERIAL	DESCRIPTION	COLOUR	ITEM NO.
0-1719671-1	B	PBT-GF20	COVER FOR 48 POS. PCM CONNECTOR	BLACK	1

DIMENSIONS: mm 		TOLERANCES UNLESS OTHERWISE SPECIFIED: 0 PLC ±0.3 1 PLC ±0.3 2 PLC ±0.3 3 PLC ±0.3 4 PLC ± ANGLES ±° FINISH		DWN: M. Kressmann CHK: K.ROTH APVD: - DATE: 24MAY2006 NAME: - PRODUCT SPEC: - APPLICATION SPEC: - WEIGHT: - CUSTOMER DRAWING		Tyco Electronics Tyco Electronics AMP GmbH D - 64625 Bensheim COVER FOR 48 POS PCM CONN. COVER MQS CB 90 SIZE: A1 CAGE CODE: 00779 DRAWING NO: 1719671 SCALE: 2:1 SHEET: 1 OF 1 REV: B2	
-----------------------	--	--	--	--	--	---	--