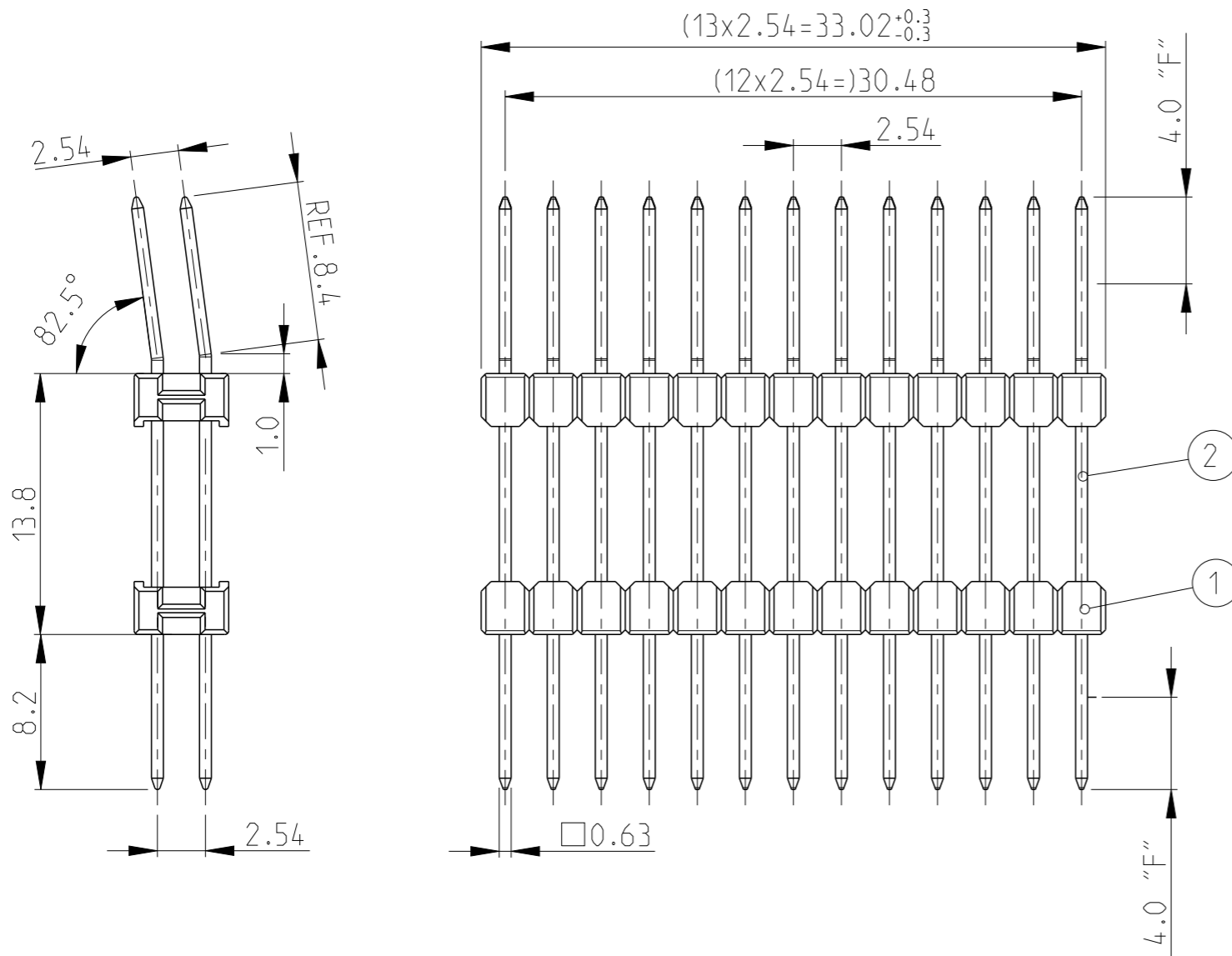
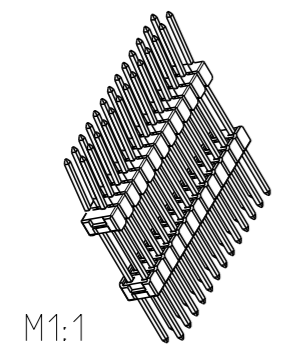


P	LTR	DESCRIPTION	DATE	DWN	APVD
B		Contact pin material changed from (Phosphor bronze) to (Brass). Plating changed from min. 0.8 µm gold plating to min. 0.7 µm PdNi+0.1 µm gold flash at contact area (Area F).	26MAY2014	TJ	JK
B1		NOTE 1 0.76 µm PLATING UPDATE (PdNi+AuFLASH)	06JUL2023	BGC	PS



REMARKS:

- 1 MATING SIDE: Min 0.76 µm (PdNi + Au FLASH) IN ZONE "F" OVER Min 1.27 µm Ni (Alternative plating - Min 0.76 µm Au plating OVER Min 1.27 µm Ni)
- 2 LENGTH OF CONTACT PIN BEFORE BENDING: 31.4mm



-1 AS SHOWN WIE GEZEICHNET

1718090-1	2	26	AMP MODU II CONTACT PIN AMP MODU II KONTAKTSTIFT	1	CuZn
	1	2	AMP MODU II PIN HOUSING, DUAL ROW AMP MODU II STIFTGEHÄUSE, ZWEIREIHIG	GREEN GRÜN	PBT-GV
TE ORDER NO. BESTELL-NR.	POS.	QTY. STK.	DESCRIPTION BENENNUNG	SURFACE OBERFLÄECHE COLOUR/FARBE	MATERIAL

THIS DRAWING IS A CONTROLLED DOCUMENT.

DWN L.SCHLUETER 11AUG2003  
CHK M.SCHAARSCHMIDT 11AUG2003  
APVD G.FELDMEIER

TE Connectivity

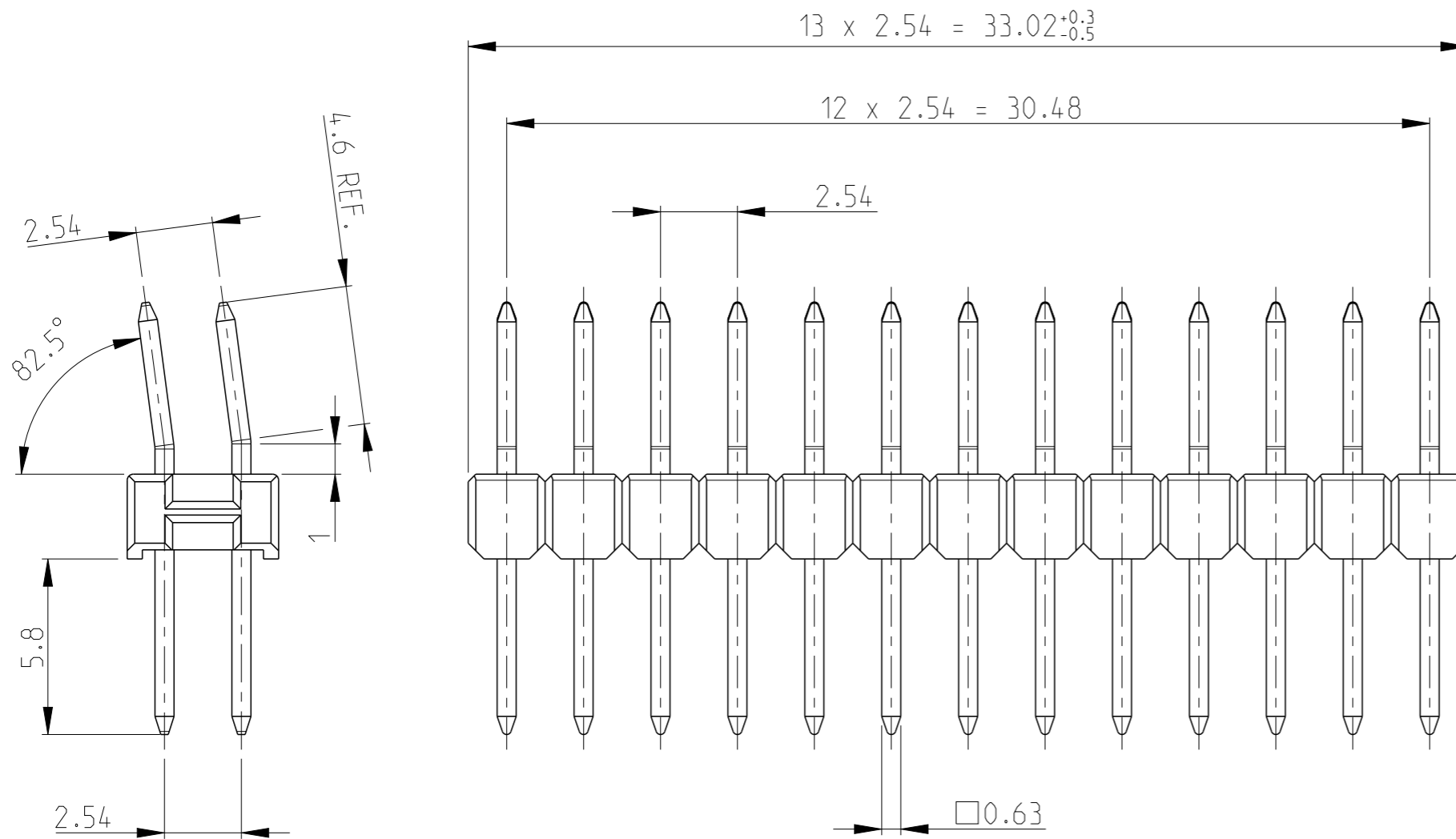
SPEC. AMP MODU II PIN HDR, 2x13 POS.

SIZE A3 CAGE CODE 00779 DRAWING NO. C-1718090 RESTRICTED TO -

CUSTOMER DRAWING SCALE 3:1 SHEET 1 OF 2 REV B1

DIMENSIONS: mm	TOLERANCES UNLESS OTHERWISE SPECIFIED:
	0 PLC ±0.2 1 PLC ±0.2 2 PLC ±0.2 3 PLC ± 4 PLC ± ANGLES ±°
MATERIAL SEE TAB.	FINISH SEE TAB.

P	LTR	DESCRIPTION	DATE	DWN	APVD
-		SEE SHEET 1	-	-	-



REMARKS:

- 1 SURFACE: 0.8 μm Au OVER 1.27 μm Ni  
TIP OF PINS PARTIALLY UNPLATED
- 2 LENGTH OF CONTACT PIN BEFORE BENDING: 14.3mm

BEMERKUNGEN:

- 1 OBERFLÄCHE: 0.8 μm Au ÜBER 1.27 μm Ni  
STIFTSPITZEN TEILWEISE BLANK
- 2 UNGEWINKELTE STIFTLÄNGE: 14.3mm

1718090-2	2	26	AMPMODU II CONTACT PIN AMPMODU II KONTAKTSTIFT	1	Cu Sn
	1	1	AMPMODU II PIN HOUSING, DUAL ROW AMPMODU II STIFTGEHÄUSE, ZWEIREIHIG	GREEN GRÜN	PBT-GV
TE ORDER NO. BESTELL-NR.	POS.	QTY. STK.	DESCRIPTION BENENNUNG	SURFACE OBERFLÄCHE COLOUR/FARBE	MATERIAL

THIS DRAWING IS A CONTROLLED DOCUMENT.

DWN: L. SCHLUETER 11AUG2003  
CHK: M. SCHAARSCHMIDT 11AUG2003  
APVD: G. FELDMEIER

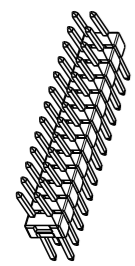
TE Connectivity

NAME: SPEC. AMP MODU II PIN HDR, 2x13 POS.

PRODUCT SPEC: -  
APPLICATION SPEC: -  
WEIGHT: -

SIZE: A3 CAGE CODE: 00779 DRAWING NO: 1718090 RESTRICTED TO: -

CUSTOMER DRAWING SCALE: 1:1 SHEET: 2 OF 2 REV: B1



1:1

-2 AS SHOWN  
WIE GEZEICHNET