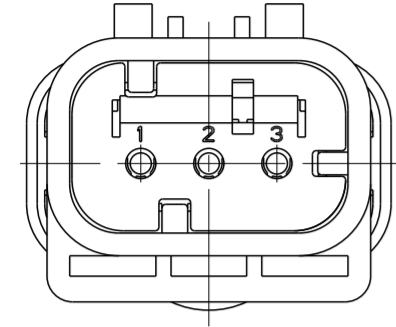
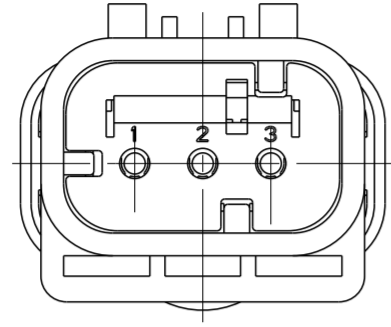


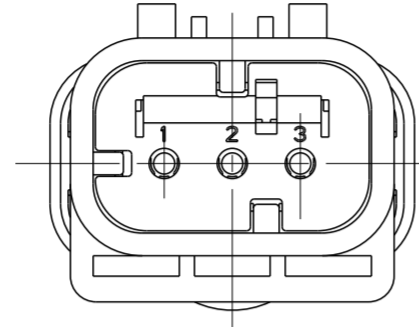
REVISIONS				
P	LTR	DESCRIPTION	DATE	APVD
B	I	REVISED PER ECR-10-019377	30SEP2010	HMR TM
C		REVISED PER ECR-14-000206	26DEC2013	PV RB
C	I	REVISED PER ECR-24-201925	05MAR2024	HY TK



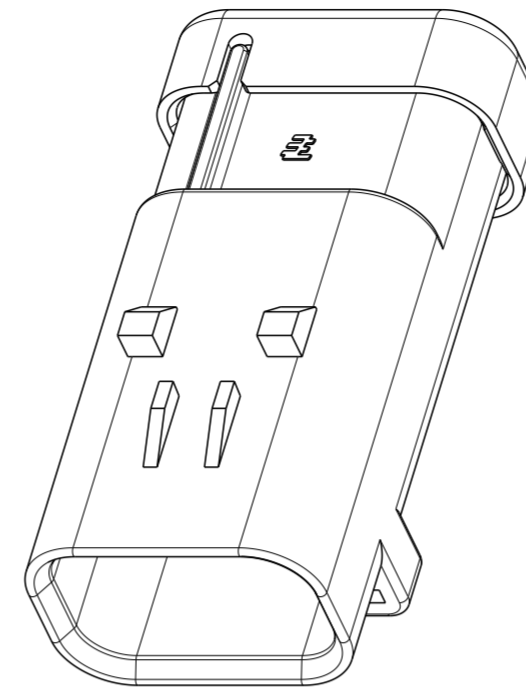
1717673-2
SCALE 2:1



1717673-3
SCALE 2:1



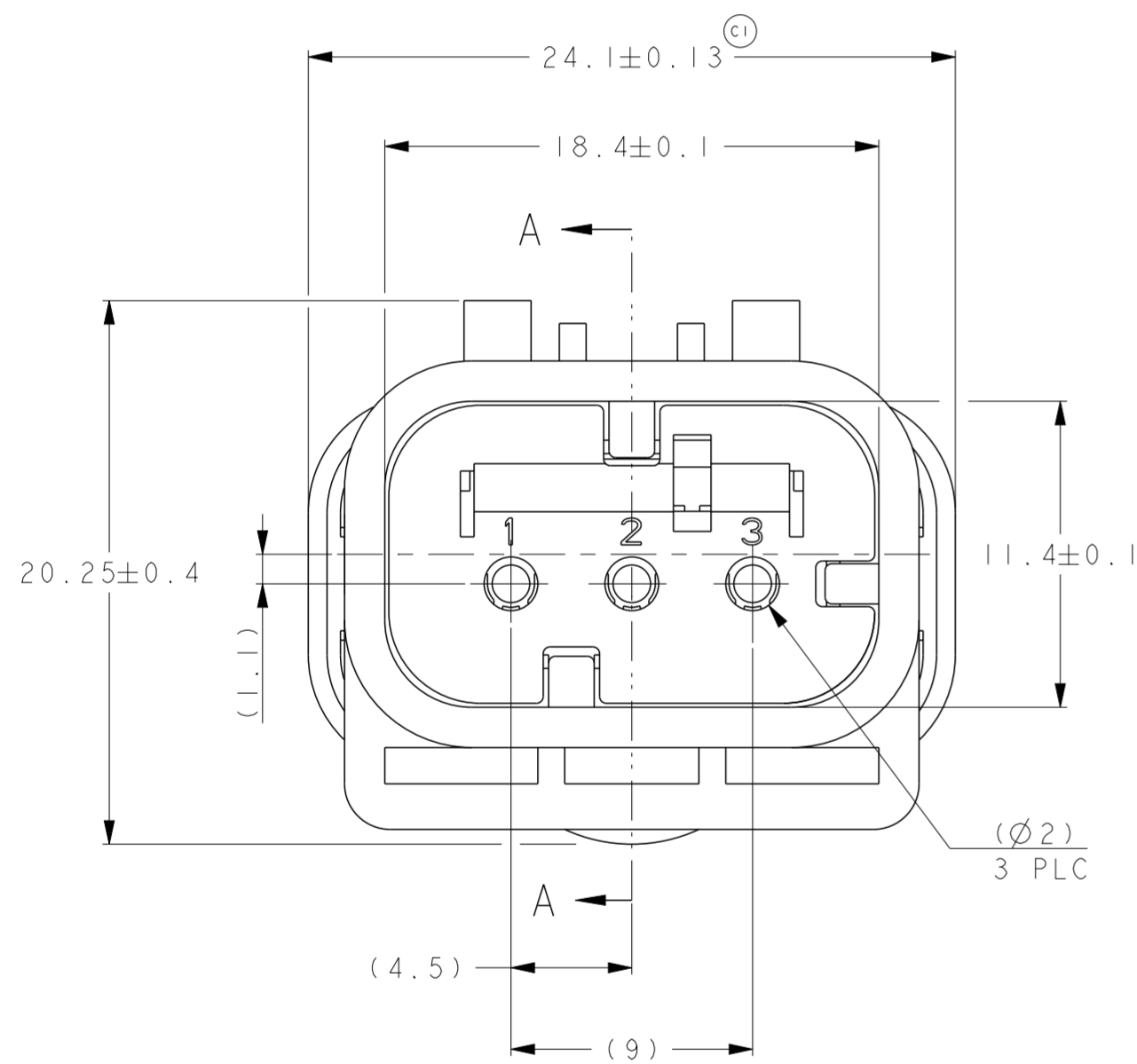
1717673-4
SCALE 2:1



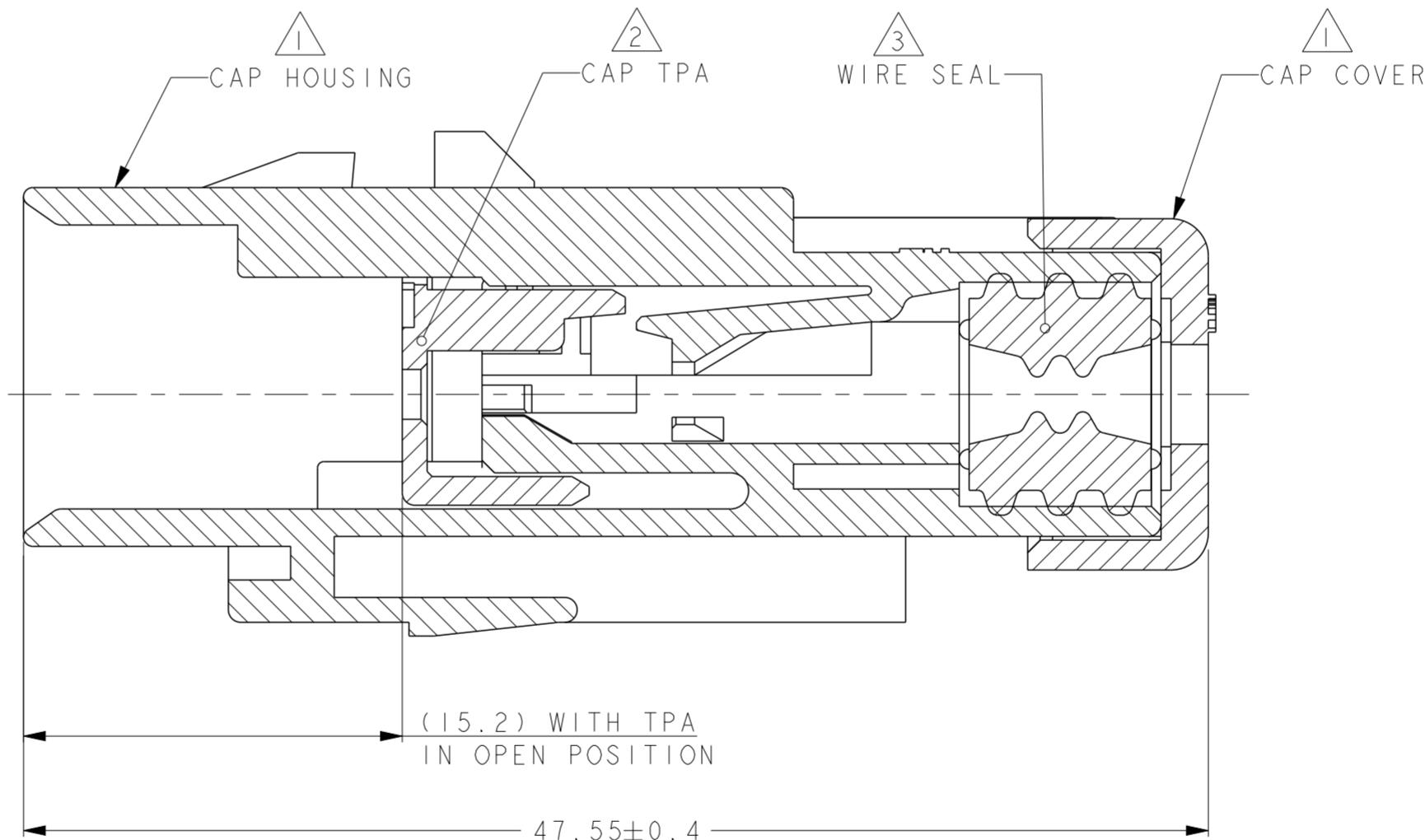
SCALE 2:1

- 1 MATERIAL: 15% GLASS FILLED THERMOPLASTIC
COLOR: BLACK
- 2 MATERIAL: 15% GLASS FILLED THERMOPLASTIC
COLOR: (SEE TABLE)
- 3 MATERIAL: SILICONE
COLOR: GREEN

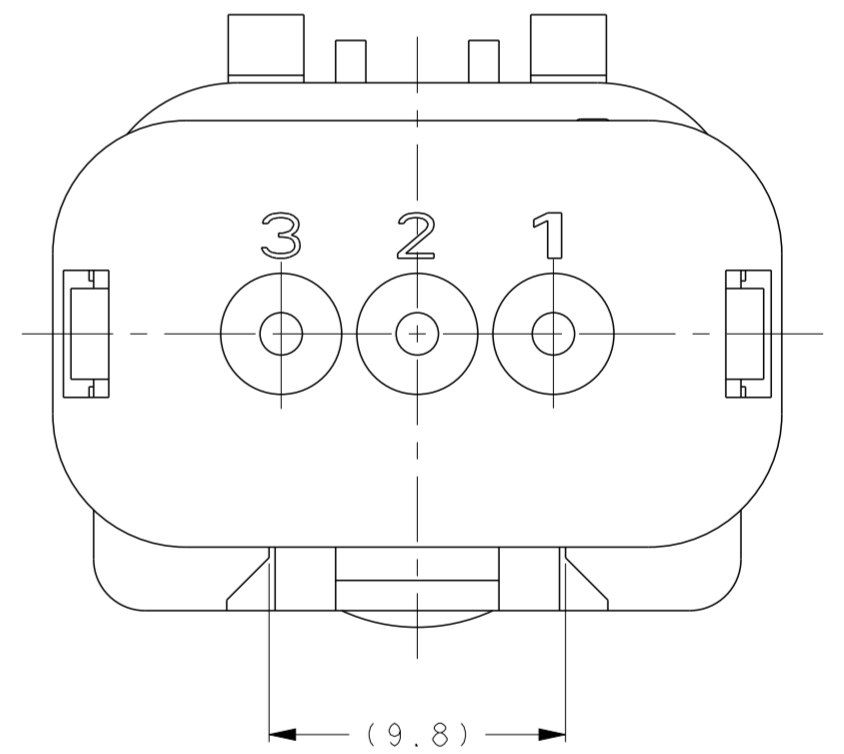
4. WIRE INSULATION RANGE: $\varnothing 2.24 \sim \varnothing 3.94$



1717673-1 SHOWN



A - A
OPEN POSITION



GREEN	1717673-4
YELLOW	1717673-3
GRAY	1717673-2
RED	1717673-1
TPA COLOR	PART NUMBER

THIS DRAWING IS A CONTROLLED DOCUMENT.		DWN Y. KATO	15JAN2004	STE TE Connectivity
DIMENSIONS:		CHK S. MANABE	15JAN2004	
mm		APVD S. MANABE	15JAN2004	
TOLERANCES UNLESS OTHERWISE SPECIFIED:		PRODUCT SPEC	108-2184	
0 PLC ±		APPLICATION SPEC	114-13065	NAME CAP ASSY, 3 POS. BRACKET REVERSE TYPE AMP SEAL 16
1 PLC ±		WEIGHT	-	SIZE A2
2 PLC ±		CUSTOMER DRAWING		CAGE CODE 0779
3 PLC ±		SCALE 4:1		DRAWING NO C-1717673
4 PLC ±		SHEET 1 OF 1		RESTRICTED TO
ANGLES ±		REV C		
FINISH				