

THIS DRAWING IS UNPUBLISHED. RELEASED FOR PUBLICATION
 © COPYRIGHT - ALL RIGHTS RESERVED.

| LOC | DIST | REVISIONS 変更 | | | | | |
|-----|------|-----------------|-----|---------------------------|-----------|-----|------|
| | | P | LTR | DESCRIPTION | DATE | DWN | APVD |
| J | - | | A1 | REVISED PER ECO-11-005140 | 09APR2011 | RK | HMR |
| | | | A2 | REVISED ECR-24-208273 | 10APR2024 | AY | TY |

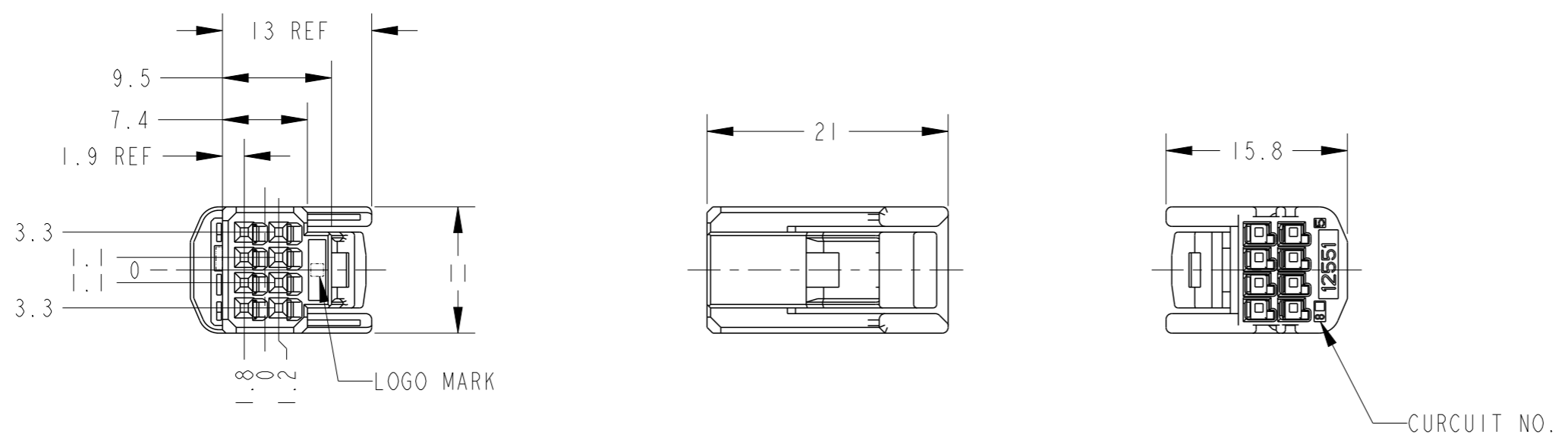
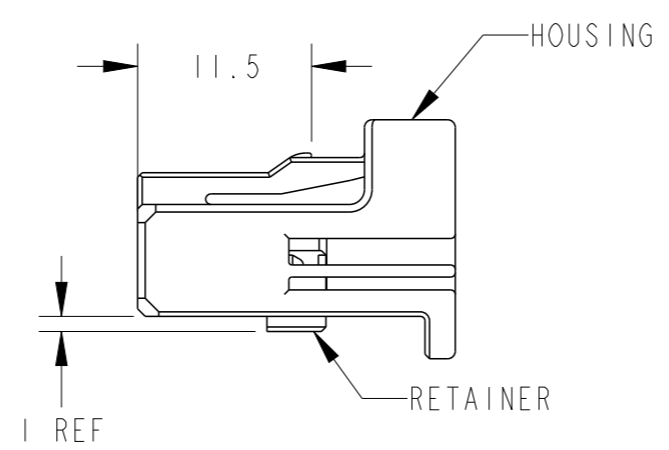


TABLE - 1

| POS 極数 | CAP ASSEMBLY PART NO. キャップ 型番 | |
|-----------|-------------------------------------|---------|
| 8 | W-W | 1473793 |
| | W-B | 1376350 |




1. RETAINER SHOULD BE SENT TO THE PRE-ASSEMBLY.
2. INSTRUCTION SHEET NO. 411-78080.
3. PART NUMBER OF CAP HOUSING TO BE MATED : SEE TABLE - 1
4. APPLIED TERMINALS : SEE TABLE - 2

1. プラグハウジングにリテーナを仮係止して出荷される
2. 取扱説明書NO. 411-78080
3. 嵌合相手型番 : TABLE - 1参照
4. 適用端子 : TABLE - 2参照

TABLE - 2

| | | TERMINAL NO. 端子型番 | APPLICABLE WIRE RANGE 適用電線 |
|---------------------|----------------|----------------------|--|
| SIGNAL 0.64 IIII | TIN | 1674311-7 | AVSS/CAVS 0.3~0.5mm ² CAVUS 0.3mm ² CHFUS 0.35~0.5mm ² AVSS/AVSSH 0.3f~0.5fmm ² HFSS 0.35f~0.5fmm ² |
| | | 1674936-5 | CHFUS 0.22mm ² |
| | SELECTIVE GOLD | 1674311-8 | AVSS/CAVS 0.3~0.5mm ² CAVUS 0.3mm ² CHFUS 0.35~0.5mm ² AVSS/AVSSH 0.3f~0.5fmm ² HFSS 0.35f~0.5fmm ² |
| | | 1674936-6 | CHFUS 0.22mm ² |

| PAPER BOX ダンボール | PLASTIC BAG ビニール袋 | BLACK | 1717103-2 |
|-----------------------|----------------------|---------|-------------|
| PAPER BOX ダンボール | PLASTIC BAG ビニール袋 | NATURAL | 1717103-1 |
| OUTER 外装 | INNER 内装 | COLOR | PART NUMBER |
| PACKING STYLE 梱包形態 | | | |

| | | | | | | | | | | | | | | |
|---|---------------------------|----------------------------------|---|--------------------|-------------------------------|--------------------|------|-------|-------|-------|--------|-------|---------|--------|
| THIS DRAWING IS A CONTROLLED DOCUMENT. | | DWN S. AMEMIYA 26 JAN 04 |  TE Connectivity 0.64 IIII 8P PLUG HSG ASSEMBLY | | | | | | | | | | | |
| DIMENSIONS: 単位: 概 mm | | CHK H. YAMAGAMI 26 JAN 04 | | | | | | | | | | | | |
| TOLERANCES UNLESS OTHERWISE SPECIFIED: 一般公差 ±0.3 | | APVD K. ASAI 26 JAN 04 | | | | | | | | | | | | |
| <table border="1"> <tr><td>0 PLC</td><td>±</td></tr> <tr><td>1 PLC</td><td>±0.1</td></tr> <tr><td>2 PLC</td><td>±0.01</td></tr> <tr><td>3 PLC</td><td>±0.001</td></tr> <tr><td>4 PLC</td><td>±0.0001</td></tr> <tr><td>ANGLES</td><td>±3'00"</td></tr> </table> | | 0 PLC | | | ± | 1 PLC | ±0.1 | 2 PLC | ±0.01 | 3 PLC | ±0.001 | 4 PLC | ±0.0001 | ANGLES |
| 0 PLC | ± | | | | | | | | | | | | | |
| 1 PLC | ±0.1 | | | | | | | | | | | | | |
| 2 PLC | ±0.01 | | | | | | | | | | | | | |
| 3 PLC | ±0.001 | | | | | | | | | | | | | |
| 4 PLC | ±0.0001 | | | | | | | | | | | | | |
| ANGLES | ±3'00" | | | | | | | | | | | | | |
| MATERIAL 材料 PBT | FINISH 仕上 SEE TABLE | PRODUCT SPEC 製品規格 108-5931 | SIZE A3 | CAGE CODE 00779 | DRAWING NO 番号 C=1717103 | RESTRICTED TO - | | | | | | | | |
| CUSTOMER DRAWING | | | SCALE 尺度 2:1 | SHEET 1 | OF 1 | REV A2 | | | | | | | | |