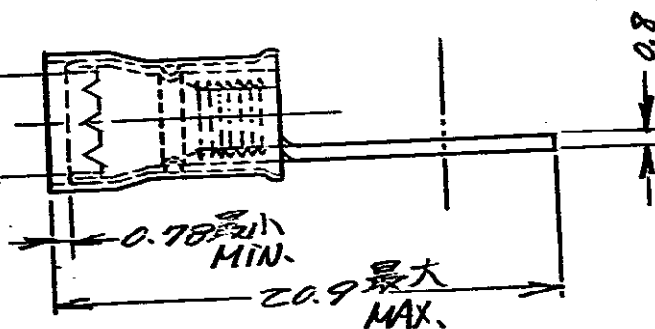
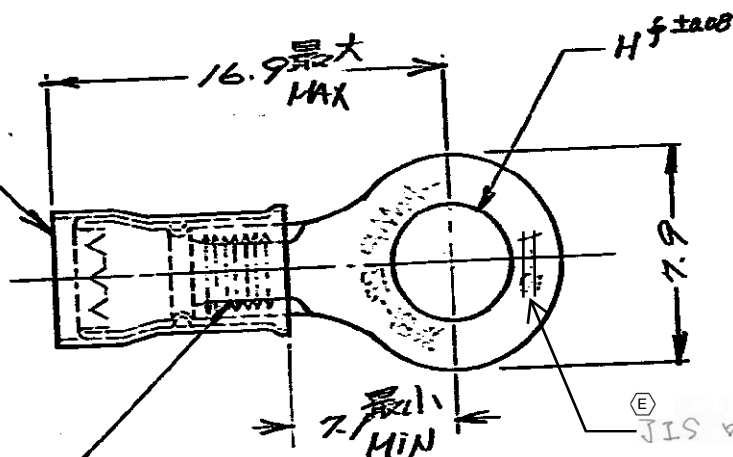


C-171506

赤色被覆
RED INS.

SERATION
セレーション

(表参照) (SEE TABS)
被覆外径 INS. DIA



(P/N)	(STUD)	(H DIA)	(INS. DIA)
型番	スタッド	H-J法	被覆外径
171506-1	#8	4.34	2.03~3.18
-2	#10	5.00	2.03~3.18
-3	#8	4.34	2.67~3.56
-4	#10	5.00	2.67~3.56
-5	#12	5.66	2.03~3.18
-6	特別	5.79	2.67~3.56
-7	5mm		2.3~3.18
-8	5mm	5.00	2.67~3.56

- (F) OBSOLETE
- (E) OBSOLETE
- OBSOLETE
- (E) OBSOLETE
- (F) OBSOLETE
- (F) OBSOLETE

IN CH: 2E DIMENSIONS IN MM DO NOT SCALE PRINT

E	Change Applicable Body	Y.O	N.Y	23JAN17	F	OBSOLETE	Y.O	N.Y	14APR17
---	------------------------	-----	-----	---------	---	----------	-----	-----	---------

D1	OBSOLETE (REV. 05) F.N. 47	6-16-93	
D	REVISED (REV. B) P-DWG	X.V. Y.S. 6/1/82	
C	REVISED (REV. B) P-DWG	S.O. 4/1/77	
B	ADDED MARK	H.S. 4/1/75	
A	REVISED (REV. B) P-DWG	H.S. 4/1/75	
O	ORIGINAL	H.S. 4/1/75	

参考図面
(CUSTOMER COPY
REFERENCE ONLY)

STE TE Connectivity

材料: 有光銅
線径: 銅線

WIRE RANGE: 0.26 ~ 1.04 mm AWG22-18

INSULATION CL.:

表参照

SCALE: 1:1

LOC: JAC-171506

REV: F

4	REVISION RECORD	DR	CHK	DATE

丸型端子 RING TERMINAL