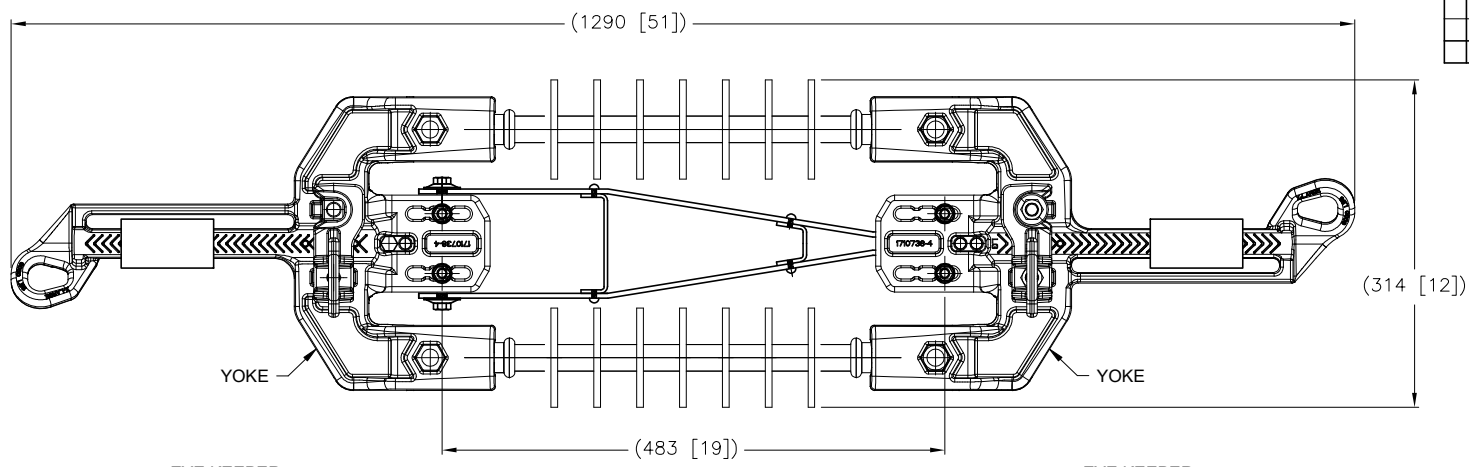
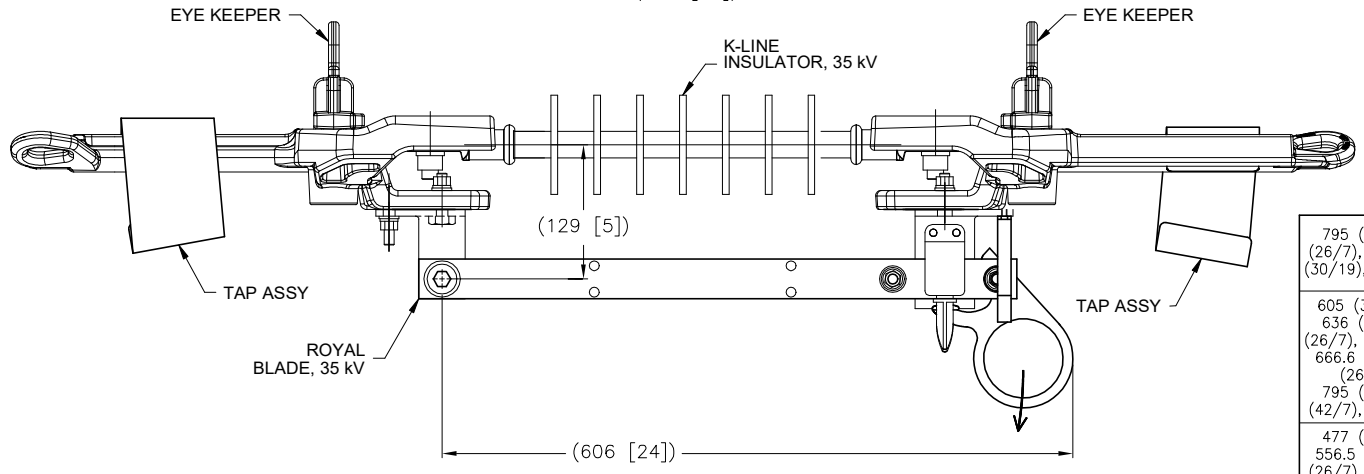


THIS DRAWING IS UNPUBLISHED. RELEASED FOR PUBLICATION
 © COPYRIGHT - By - ALL RIGHTS RESERVED.

REVISIONS					
P	LTR	DESCRIPTION	DATE	DWN	APVD
B		LC20-0185-10 / ECO-10-022378	29OCT2010	DM	AB
B1		LC20-0081-16 / ECO-16-010615	13JUL2016	DM	BJ
C		LC20-0102-19 / ECO-19-014663	25SEP2019	DM	BJ



1. BODY STRENGTH: 10,000 LBS
PULLING EYE STRENGTH: 6000 LBS
2. FOR INLINE DISCONNECT SWITCH ASSEMBLY W/O TAPS, REFER TO 1710888-X SERIES PART NUMBERS.



795 (24/7) (26/7), (30/7) (30/19), (54/7)	954	X-LARGE	1-83843-1	1710885-4
605 (30/19) 636 (24/7) (26/7), (30/19) 666.6 (24/7) (26/7) 795 (36/1) (42/7), (45/7)	715.5, 750, 795	X-LARGE	83843-6	1710885-3
477 (30/7) 556.5 (24/7) (26/7), (30/7) 605 (24/7) (26/7) 636 (18/1) (36/1)	600, 636, 650, 700	X-LARGE	83843-5	1710885-2
266.8 (26/7) 336.4 (18/1) (26/7), (30/7)	336.4 350, 397.5	SMALL	83843-2	1710885-1
ACSR	AAC	YOKE SIZE IN ILD ASSEMBLY	REPLACEMENT TAP P/N	PART NO.

MOMENTARY CURRENT	THREE SECOND CURRENT	CONTINUOUS CURRENT ALLOWABLE RATING: (PER ANSI C37-32.3.2.1 2002)	FREQUENCY	BASIC IMPULSE INSULATION LEVEL (BIL)	VOLTAGE
61,000 AMPERE RMS, ASYMMETRICAL	38,500 AMPERE RMS, SYMMETRICAL	1200 AMPERE RMS	60 HERTZ	200 kV	35 kV AC MAX

RATINGS

THIS DRAWING IS A CONTROLLED DOCUMENT.

DWN	D. MURUGIAH	23SEP2010
CHK	A. MARC	23SEP2010
APVD	A. BULZA	23SEP2010

TE TE Connectivity

NAME: INLINE DISCONNECT SWITCH ASSEMBLY WITH TAPS, AMPACT, 35 kV, 1200 Amp

PRODUCT SPEC: -

APPLICATION SPEC: -

SIZE: A2 CAGE CODE: 00779 DRAWING NO: 1710885 RESTRICTED TO: -

WEIGHT: 0

CUSTOMER DRAWING SCALE: NTS SHEET: 1 of 1 REV: C