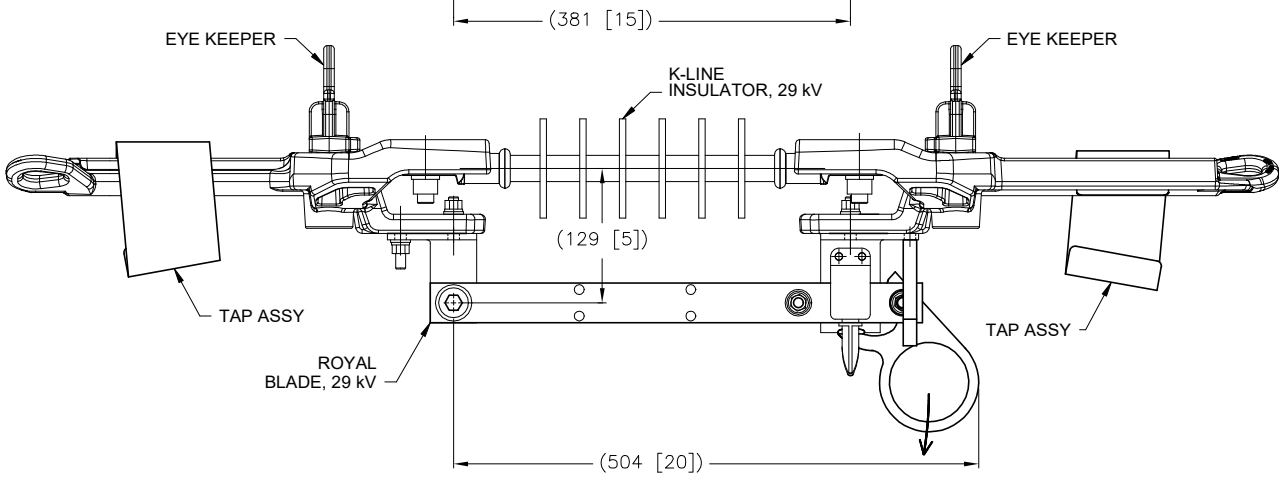
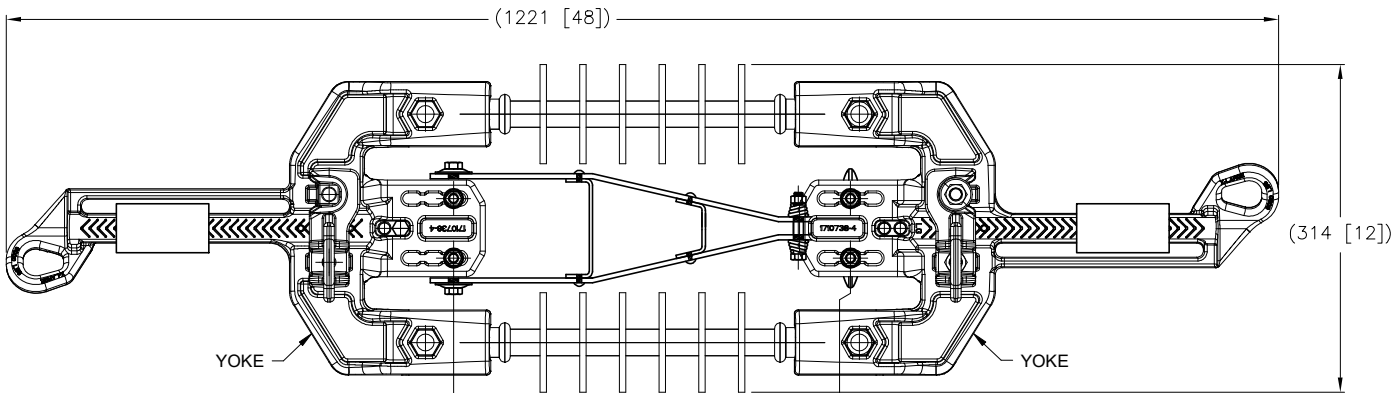


THIS DRAWING IS UNPUBLISHED. RELEASED FOR PUBLICATION. ALL RIGHTS RESERVED.

REVISIONS					
REV	LTR	DESCRIPTION	DATE	OWN	APPD
B		LC20-0185-10 / ECO-10-022378	29OCT2010	DM	AB
B1		LC20-0081-16 / ECO-16-010615	13JUL2016	DM	BJ
C		LC20-0102-19 / ECO-19-014663	25SEP2019	DM	BJ



- BODY STRENGTH: 10,000 LBS  
PULLING EYE STRENGTH: 6000 LBS
- FOR INLINE DISCONNECT SWITCH ASSEMBLY W/O TAPS, REFER TO 1710887-X SERIES PART NUMBERS.

61,000 AMPERE RMS, ASYMMETRICAL	38,500 AMPERE RMS, SYMMETRICAL	1200 AMPERE RMS	60 HERTZ	150 kV	29 kV AC MAX
MOMENTARY CURRENT	THREE SECOND CURRENT	CONTINUOUS CURRENT ALLOWABLE RATING: (PER ANSI C37-32.3.2.1 2002)	FREQUENCY	BASIC IMPULSE INSULATION LEVEL (BIL)	VOLTAGE
RATINGS					

795 (24/7) 266.8 (26/7) 336.4 (18/1) 350 (30/7)	954	X-LARGE	1-83843-1	1710884-4
605 (30/19) 636 (24/7) 266.6 (24/7) 795 (36/1) 427 (26/7) 556.5 (24/7) 605 (24/7) 636 (18/1) 366 (36/1)	715.5, 750, 795	X-LARGE	83843-6	1710884-3
477 (30/7) 556.5 (24/7) 266.8 (26/7) 336.4 (18/1) 350 (30/7)	600, 636, 650, 700	X-LARGE	83843-5	1710884-2
266.8 (26/7) 336.4 (18/1) 350 (30/7)	336.4 350, 397.5	SMALL	83843-2	1710884-1
ACSR	AAC	YOKE SIZE IN ILD ASSEMBLY	REPLACEMENT TAP P/N	PART NO.
APPLICATION				

THIS DRAWING IS A CONTROLLED DOCUMENT.

DRAWN: D. MURUGIAH	23SEP2010	<b>TE</b> TE Connectivity
CHECKED: A. MARC	23SEP2010	
APPROVED: A. BULZA	23SEP2010	
NAME: A. BULZA	23SEP2010	
DIMENSIONS: mm [INCHES]		PRODUCT SPEC: -
TOLERANCES UNLESS OTHERWISE SPECIFIED:		APPLICATION SPEC: -
0 PLC ± -	1 PLC ± -	WEIGHT: 0
2 PLC ± -	3 PLC ± -	SIZE: A2
4 PLC ± -	ANGLES ± -	CAGE CODE: 00779
MATERIAL: -	FINISH: -	DRAWING NO: 1710884
CUSTOMER DRAWING		RESTRICTED TO: -
SCALE: NTS		SHEET: 1 of 1
		REV: C