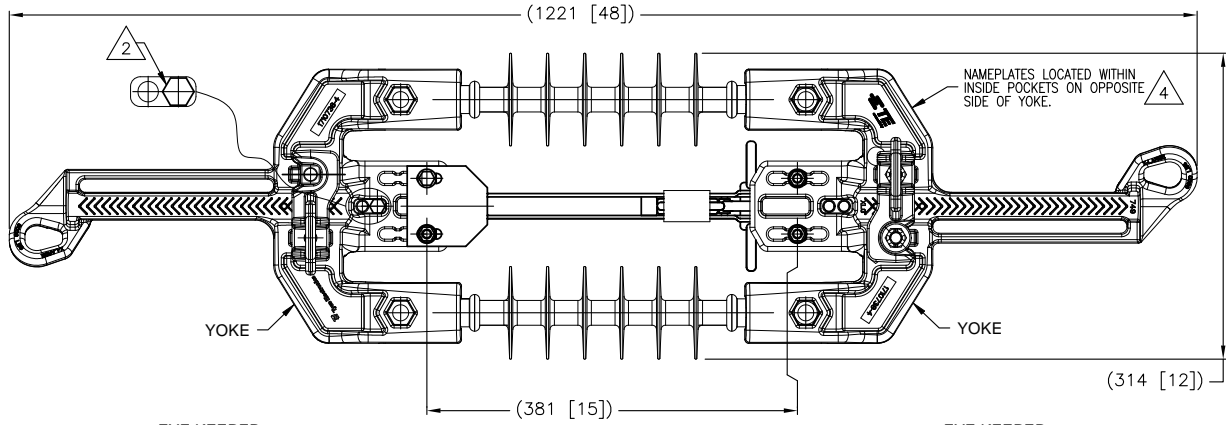
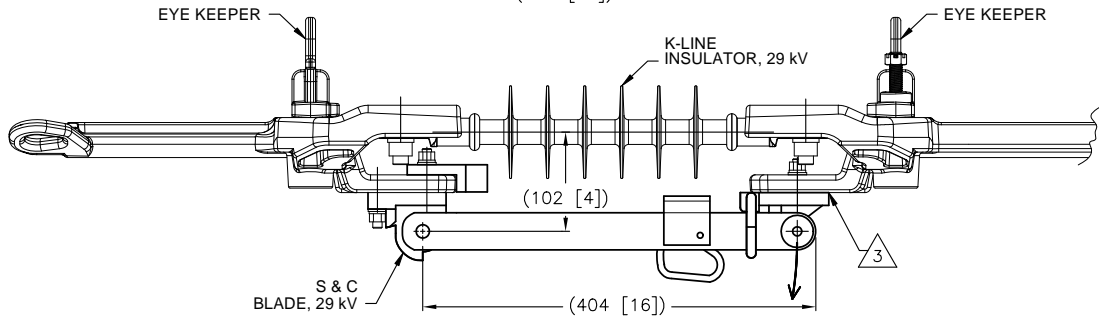


REVISIONS					
REV	DATE	DESCRIPTION	BY	CHK	APP'D
E	05JUN2013	LC20-0061-13 / ECO-13-009733	DM	BJ	
F	25NOV2013	LC20-0128-13 / ECO-13-018810	DM	BJ	
G	30AUG2017	LC20-0087-17 / ECO-17-012864	JG	BJ	
H	24JUN2019	LC20-0066-19 / ECO-19-008775	DM	BJ	



- BODY STRENGTH: 10,000 lbs.
PULLING EYE STRENGTH: 6,000 lbs.
- SHOWN BOLT CAPTURING HOLE LOCATION TO POSITION THE BLADE.
- BLADE EDGE MARKED ON YOKE PAD TO DETERMINE WHETHER THE BLADE HAS MOVED FROM ITS ORIGINAL LOCATION.
- NAMEPLATE LABEL MATERIAL IS SILVER MATTE POLYESTER WITH PERMANENT ADHESIVE.



477.0 (26/7) 556.5 (18/1)	556.5	LARGE	83843-4	1710828-3
397.5 (18/1) (24/7), (26/7) (30/7) 477.0 (18/1)	450, 477, 500	LARGE	83843-3	
266.8 (26/7) 336.4 (18/1) (26/7), (30/7)	397.5 336.4, 350	SMALL	83843-2	
266.8 (18/1)	266.8	SMALL	83843-1	1710828-2
3/0 (6/1) 4/0 (6/1)	4/0	SMALL	83843-7	
1/0 (6/1) 2/0 (6/1)	1/0 2/0	X-SMALL	1-83843-0	1710828-1
ACSR	AAC	YOKE SIZE IN ILD ASSEMBLY	REPLACEMENT TAP P/N	PART NO.

40,000 AMPERE RMS, ASYMMETRICAL	25,000 AMPERE RMS, SYMMETRICAL	900 AMPERE RMS	60 HERTZ	150 kV	29 kV AC
MOMENTARY CURRENT	THREE SECOND CURRENT	CONTINUOUS CURRENT ALLOWABLE RATING: (PER ANSI C37-32.3.2.1 2002)	FREQUENCY	BASIC IMPULSE INSULATION LEVEL (BIL)	VOLTAGE
SHORT TIME CURRENT					
RATINGS					

THIS DRAWING IS A CONTROLLED DOCUMENT.

DIMENSIONS: mm [INCHES] 	TOLERANCES UNLESS OTHERWISE SPECIFIED: 0 PLC ± -- 1 PLC ± -- 2 PLC ± -- 3 PLC ± -- 4 PLC ± -- ANGLES ± --	DWG: D. MURUGIAH 05NOV2010 CHK: A. MARC 08NOV2010 APP'D: A. BUIZA 08NOV2010 PRODUCT SPEC: -- APPLICATION SPEC: -- WEIGHT: -- CUSTOMER DRAWING	NAME: INLINE DISCONNECT SWITCH ASSEMBLY WITHOUT TAPS, AMPACT, HQ SPECIAL, 29kV, 900Amp SIZE: A2 CAGE CODE: 00779 DRAWING NO: 1710828 SCALE: NTS SHEET: 1 of 1 REV: H
------------------------------------	--	---	--

TE TE Connectivity

1710828