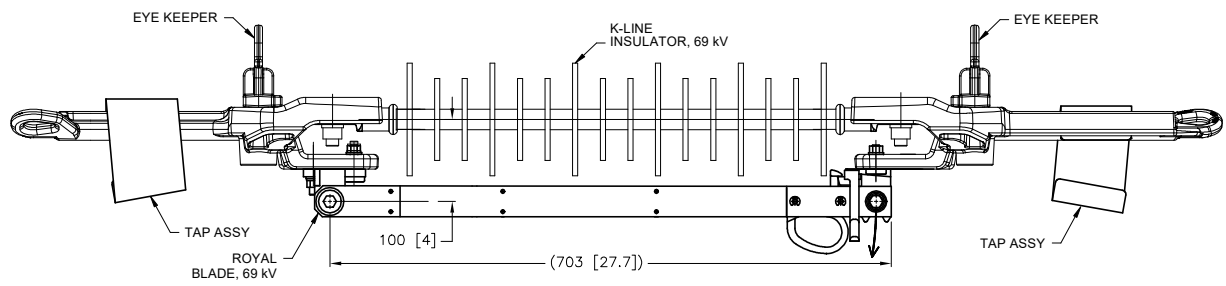
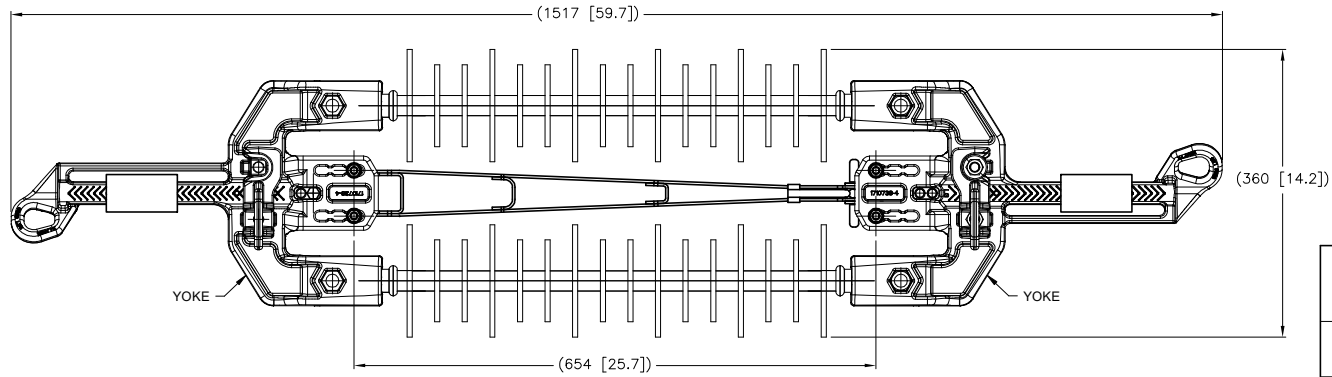


THIS DRAWING IS UNPUBLISHED. RELEASED FOR PUBLICATION. ALL RIGHTS RESERVED.

| REVISIONS | | | | | |
|-----------|-----|------------------------------|-----------|----|------|
| P | LTR | DESCRIPTION | DATE | DM | APVD |
| A1 | | LC20-0056-12 / ECO-12-010512 | 28MAY2012 | DM | BJ |
| B | | LC20-0031-16 / ECO-16-005675 | 14APR2016 | DM | BJ |
| C | | LC20-0085-16 / ECO-16-011010 | 21JUL2016 | DM | BJ |
| C1 | | LC20-0020-17 / ECO-17-001984 | 21FEB2017 | DM | BJ |
| D | | LC20-0060-19 / ECO-19-010173 | 29JUN2019 | DM | BJ |
| E | | LC20-0114-19 / ECO-19-016005 | 05NOV2019 | DM | BJ |



| 40,000 AMPERE RMS, ASYMMETRICAL | 25,000 AMPERE RMS, SYMMETRICAL | 900 AMPERE RMS | 60 HERTZ | 350 kV | 69 kV AC |
|---------------------------------|--------------------------------|---|-----------|--------------------------------------|----------|
| MOMENTARY CURRENT | THREE SECOND CURRENT | CONTINUOUS CURRENT ALLOWABLE RATING: (PER ANSI C37-32.3.2.1 2002) | FREQUENCY | BASIC IMPULSE INSULATION LEVEL (BIL) | VOLTAGE |
| RATINGS | | | | | |

1. BODY STRENGTH: 10,000 lbs.
PULLING EYE STRENGTH: 6000 lbs.
2. FOR INLINE DISCONNECT SWITCH ASSEMBLY W/O TAPS, REFER TO 1710736-X SERIES PART NUMBERS.
3. BLADE DETAIL MAY NOT BE EXACTLY AS SHOWN.
4. 1710737-9 WILL BE REPLACED BY 1-1710737-0 IN THE FUTURE.

| | | | | |
|--|-----------------------|---------------------------|---------------------|-------------|
| #2 (6/1) 1/0 (6/1) 2/0 (6/1) | #2 1/0 2/0 | X-SMALL | 1-83843-4 | 1-1710737-0 |
| 1/0 (6/1) 2/0 (6/1) | 1/0 2/0 | X-SMALL | 1-83843-0 | 1710737-9 |
| 795 (24/7) (26/7), (30/7) (30/19), (54/7) | 954 | X-LARGE | 1-83843-1 | 1710737-8 |
| 605 (30/19) 636 (26/7) (24/7), (30/19) 666.6 (24/7) (26/7) | 715.5, 750, 795 | X-LARGE | 83843-6 | 1710737-7 |
| 477.0 (30/7) 556.5 (24/7) (26/7), (30/7) 605 (24/7) (26/7) 636 (18/1) (36/1) | 600, 636, 650, 700 | X-LARGE | 83843-5 | 1710737-6 |
| 477.0 (26/7) 556.5 (18/1) | 556.5 | LARGE | 83843-4 | 1710737-5 |
| 397.5 (18/1) (24/7), (26/7) (30/7) 477.0 (18/1) | 450, 477, 500 | LARGE | 83843-3 | 1710737-4 |
| 266.8 (26/7) 336.4 (18/1) (26/7), (30/7) | 397.5 336.4, 350 | SMALL | 83843-2 | 1710737-3 |
| 266.8 (18/1) | 266.8 | SMALL | 83843-1 | 1710737-2 |
| 3/0 (6/1) 4/0 (6/1) | 4/0 | SMALL | 83843-7 | 1710737-1 |
| ACSR | AAC | YOKE SIZE IN ILD ASSEMBLY | REPLACEMENT TAP P/N | PART NO. |

THIS DRAWING IS A CONTROLLED DOCUMENT.

| | | | | |
|---------------------------------|------------------------------|---|---------------------------|------------------|
| DMW D. MURUGIAH 12FEB2010 | CHK S. KAMEL 29MAR2010 | NAME B. JOHNSON 29MAR2010 | TE TE Connectivity | |
| DIMENSIONS: mm [INCHES] | | TOLERANCES UNLESS OTHERWISE SPECIFIED: | | PRODUCT SPEC |
| | | 0 PLC ± -- 1 PLC ± -- 2 PLC ± -- 3 PLC ± -- 4 PLC ± -- ANGLES ± -- | | APPLICATION SPEC |
| MATERIAL | FINISH | WEIGHT | SIZE | CAGE CODE |
| - | - | 0 | A2 | 00779 |
| CUSTOMER DRAWING | | SCALE | SHEET | REV |
| | | NTS | 1 of 1 | F |

INLINE DISCONNECT SWITCH ASSEMBLY WITH TAPS, AMPACT, 69 kV, 900 Amp

1710737