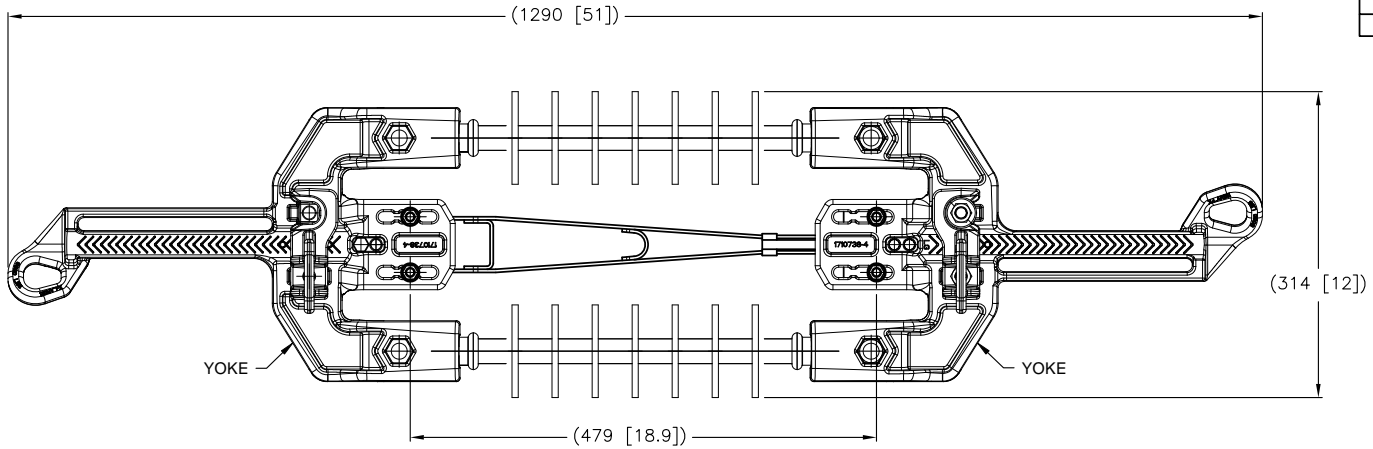
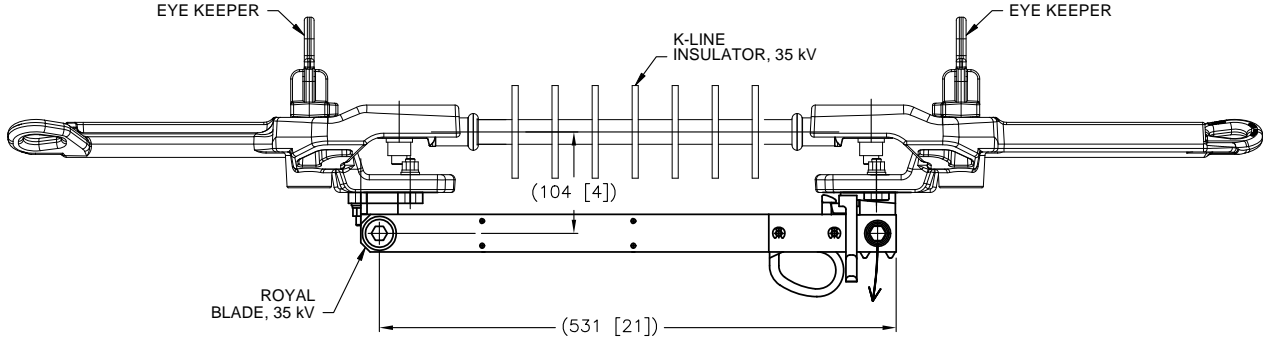


THIS DRAWING IS UNPUBLISHED. RELEASED FOR PUBLICATION
 © COPYRIGHT - By - ALL RIGHTS RESERVED.

REVISIONS					
REV	LTN	DESCRIPTION	DATE	OWN	APPD
C	LC20-0056-12 / ECO-12-010512		28MAY2012	DM	BJ
D	LC20-0094-13 / ECO-13-014496		09SEP2013	DM	BJ
E	LC20-0031-16 / ECO-16-005675		14APR2016	DM	BJ
F	LC20-0085-16 / ECO-16-011010		21JUL2016	DM	BJ
G	LC20-0019-19 / ECO-19-002310		27FEB2019	DM	BJ
G1	LC20-0027-19 / ECO-19-003287		01MAR2019	DM	BJ
H	LC20-0060-19 / ECO-19-010173		29JUN2019	DM	BJ



- BODY STRENGTH: 10,000 lbs.
PULLING EYE STRENGTH: 6000 lbs.
- 1710732-1 WILL BE REPLACED BY 1710732-6 IN THE FUTURE.



X-SMALL	1710732-6
XX-LARGE	1710732-5
X-LARGE	1710732-4
LARGE	1710732-3
SMALL	1710732-2
X-SMALL	1710732-1
YOKE SIZE IN ILD ASSEMBLY	PART NO.

40,000 AMPERE RMS, ASYMMETRICAL	25,000 AMPERE RMS, SYMMETRICAL	900 AMPERE RMS	60 HERTZ	200 kV	35 kV AC
MOMENTARY CURRENT	THREE SECOND CURRENT	CONTINUOUS CURRENT ALLOWABLE RATING: (PER ANSI C37-32.3.2.1 2002)	FREQUENCY	BASIC IMPULSE INSULATION LEVEL (BIL)	VOLTAGE
SHORT TIME CURRENT					
RATINGS					

THIS DRAWING IS A CONTROLLED DOCUMENT.

DIMENSIONS: mm [INCHES]	TOLERANCES UNLESS OTHERWISE SPECIFIED: 0 PLC ± - 1 PLC ± - 2 PLC ± - 3 PLC ± - 4 PLC ± - ANGLES ± -	DWN: D. MURUGIAH 12FEB2010 CHK: S. KAMEL 29MAR2010 APPD: B. JOHNSON 29MAR2010	TE TE Connectivity
MATERIAL: - FINISH: -		NAME: INLINE DISCONNECT SWITCH ASSEMBLY WITHOUT TAPS, AMPACT, 35 kV, 900 Amp APPLICATION SPEC: - WEIGHT: 0	SIZE: A2 CAGE CODE: 00779 DRAWING NO: 1710732 RESTRICTED TO: - CUSTOMER DRAWING SCALE: NTS SHEET: 1 of 1 REV: H