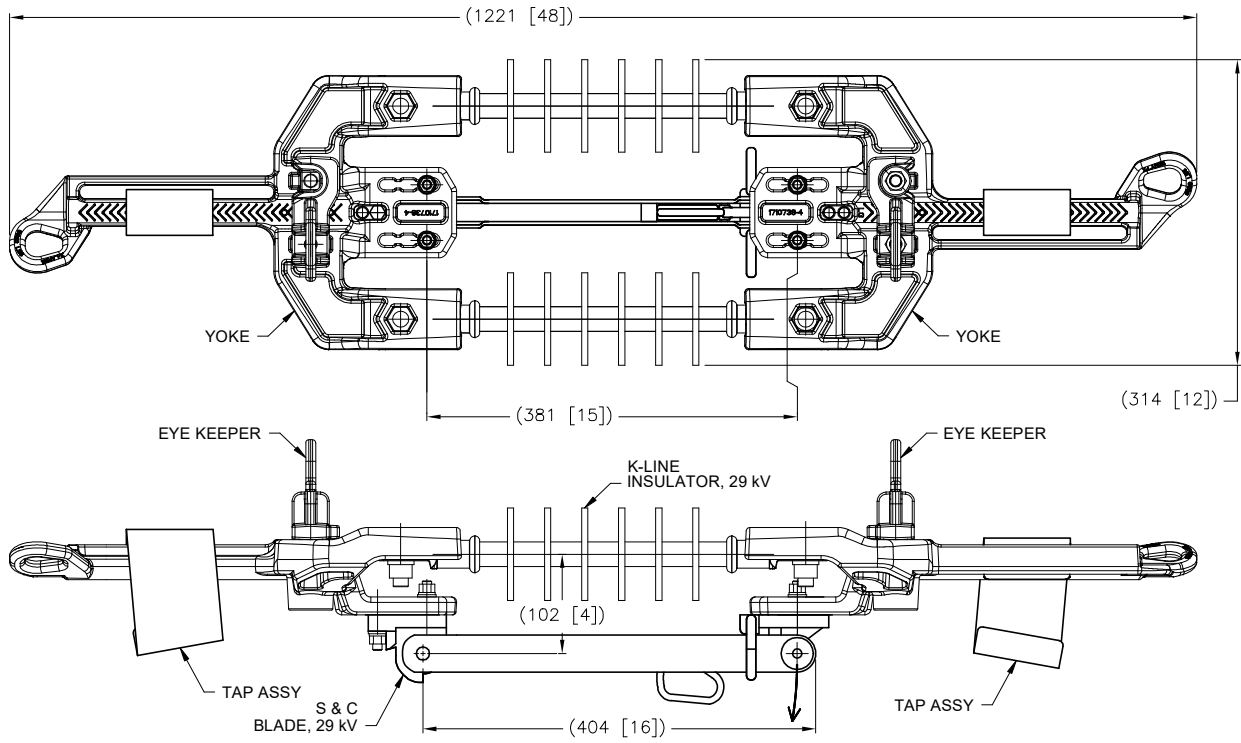


THIS DRAWING IS UNPUBLISHED. RELEASED FOR PUBLICATION
 © COPYRIGHT - By - ALL RIGHTS RESERVED.

REVISIONS					
P	LTR	DESCRIPTION	DATE	DN	APVD
A1		LC20-0056-12 / ECO-12-010512	28MAY2012	DM	BJ
B		LC20-0094-13 / ECO-13-014496	09SEP2013	DM	BJ
C		LC20-0031-16 / ECO-16-005675	14APR2016	DM	BJ
D		LC20-0085-16 / ECO-16-011010	21JUL2016	DM	BJ
E		LC20-0060-19 / ECO-19-010173	29JUN2019	DM	BJ
F		LC20-0114-19 / ECO-19-016005	05NOV2019	DM	BJ



40,000 AMPERE RMS, ASYMMETRICAL	25,000 AMPERE RMS, SYMMETRICAL	900 AMPERE RMS	60 HERTZ	150 kV	29 kV AC
MOMENTARY CURRENT	THREE SECOND CURRENT	CONTINUOUS CURRENT ALLOWABLE RATING: (PER ANSI C37-32.3.2.1 2002)	FREQUENCY	BASIC IMPULSE INSULATION LEVEL (BIL)	VOLTAGE
RATINGS					

- BODY STRENGTH: 10,000 lbs.
PULLING EYE STRENGTH: 6000 lbs.
- FOR INLINE DISCONNECT SWITCH ASSEMBLY W/O TAPS, REFER TO 1710726-X SERIES PART NUMBERS.
- 1710727-1 WILL BE REPLACED BY 1-1710727-1 IN THE FUTURE.

#2 (6/1) 1/0 (6/1) 2/0 (6/1)	#2 1/0 2/0	X-SMALL	1-83843-4	1-1710727-1
954 (45/7), (24/7), (54/7), 1033.5 (45/7), (54/7)	1033.5 1113.0	XX-LARGE	1-83843-3	1-1710727-0
795 (24/7), (26/7), (30/7), (30/19), (54/7)	954	X-LARGE	1-83843-1	1710727-9
605 (30/19) 636 (26/7) (24/7), (30/19) 666.6 (24/7) (26/7)	715.5, 750, 795	X-LARGE	83843-6	1710727-8
477.0 (30/7) 556.5 (24/7) (26/7), (30/7) 605 (24/7) (26/7) 636 (18/1) (36/1)	600, 636, 650, 700	X-LARGE	83843-5	1710727-7
477.0 (26/7) 556.5 (18/1)	556.5	LARGE	83843-4	1710727-6
397.5 (18/1) (24/7), (26/7) (30/7) 477.0 (18/1)	450, 477, 500	LARGE	83843-3	1710727-5
266.8 (26/7) 336.4 (18/1) (26/7), (30/7)	397.5 336.4, 350	SMALL	83843-2	1710727-4
266.8 (18/1)	266.8	SMALL	83843-1	1710727-3
3/0 (6/1) 4/0 (6/1)	4/0	SMALL	83843-7	1710727-2
1/0 (6/1) 2/0 (6/1)	1/0 2/0	X-SMALL	1-83843-0	1710727-1
ACSR	AAC	YOKE SIZE IN ILD ASSEMBLY	REPLACEMENT TAP P/N	PART NO.

THIS DRAWING IS A CONTROLLED DOCUMENT. DWG: D. MURUGIAH 12FEB2010
 CHK: S. KAMEL 29MAR2010
 TRKO: B. JOHNSON 29MAR2010

TE TE Connectivity

NAME: INLINE DISCONNECT SWITCH ASSEMBLY WITH TAPS, AMPACT, 29 kV, 900 Amp
 PRODUCT SPEC: -
 APPLICATION SPEC: -

SIZE: A2 CAGE CODE: 00779 DRAWING NO: 1710727 RESTRICTED TO: -
 WEIGHT: 0 SCALE: NTS SHEET: 1 of 1 REV: F
 MATERIAL: - FINISH: - CUSTOMER DRAWING